

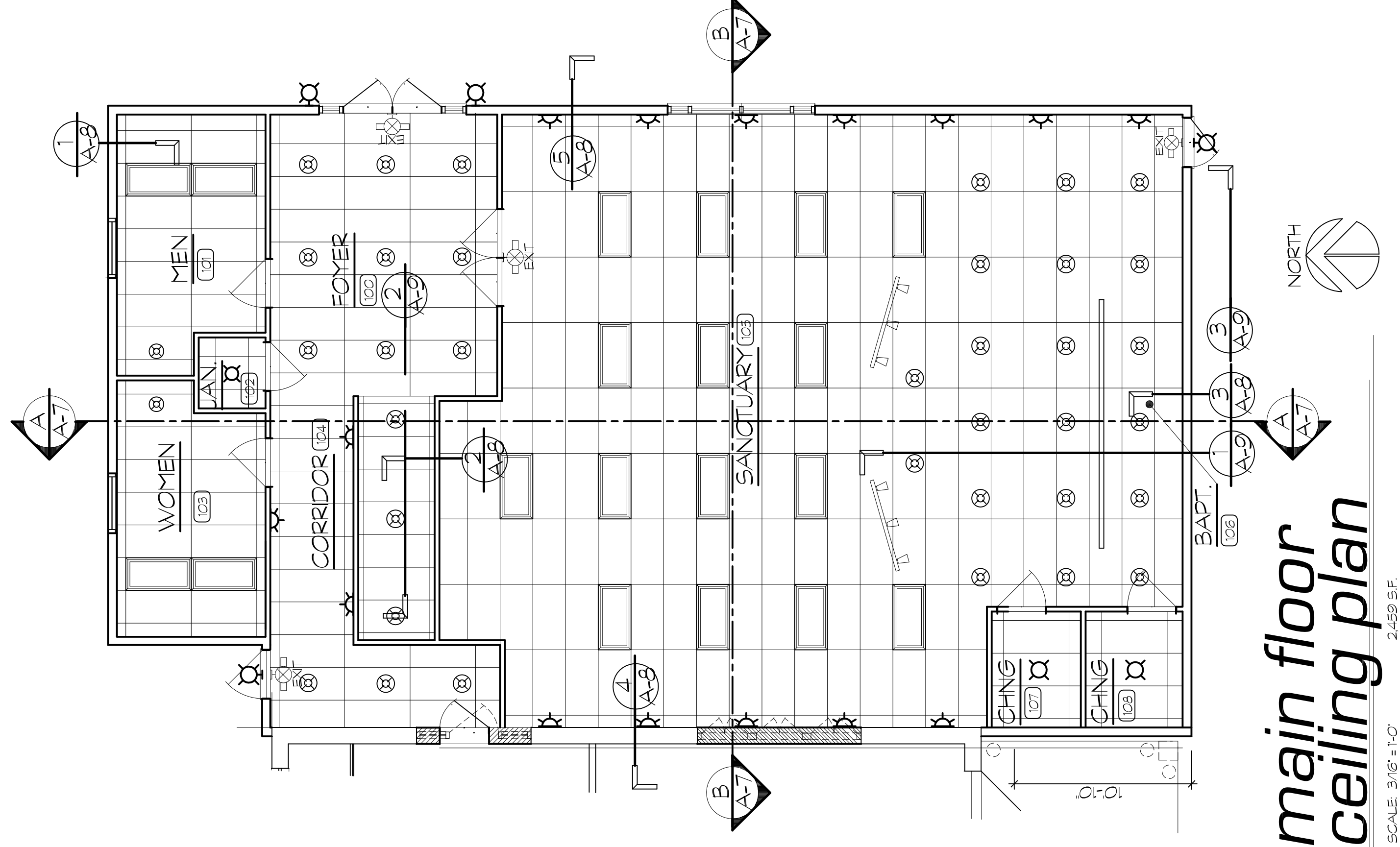
THE DESIGN AND CONSTRUCTION OF THIS DRAWING IS THE SOLE PROPERTY OF THE ARCHITECT. NO PART OF THIS DRAWING AND/OR ANY COPY THEREOF SHALL BE REPRODUCED OR TRANSMITTED IN ANY FORM OR BY ANY MEANS, ELECTRONIC OR MECHANICAL, INCLUDING PHOTOCOPYING, RECORDING, OR BY ANY INFORMATION STORAGE AND RETRIEVAL SYSTEM, WITHOUT THE WRITTEN PERMISSION OF THE ARCHITECT. © 2008



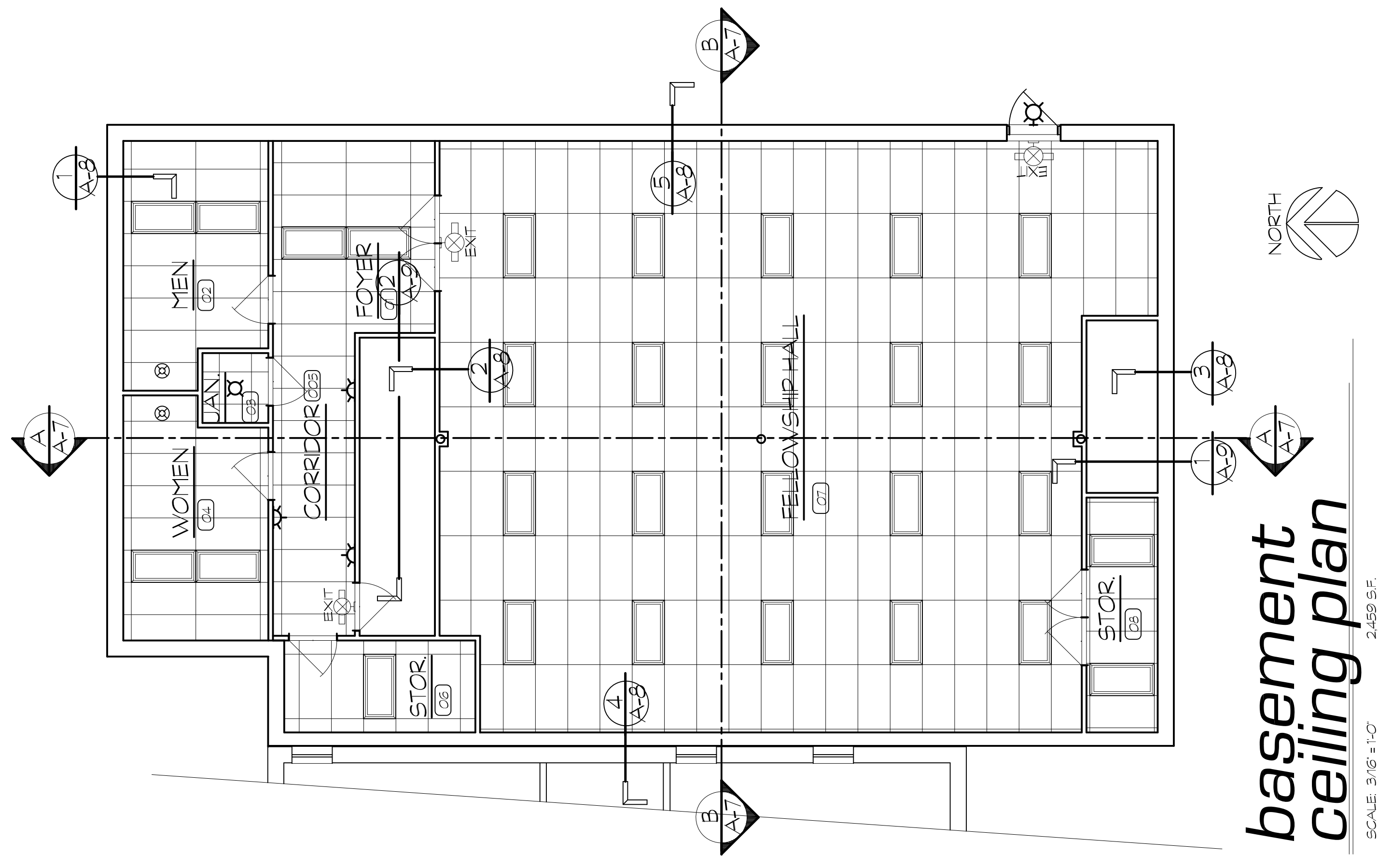
new facility for:
washington seventh day baptist church
 CRITTENDEN @ 16TH, WASHINGTON, D.C.

project no. 2K70609
 drawn by: RICK
 checked by: RICK
 date: AUG. 18, 2008
 scale: AS SHOWN
 sheet no. **A3**

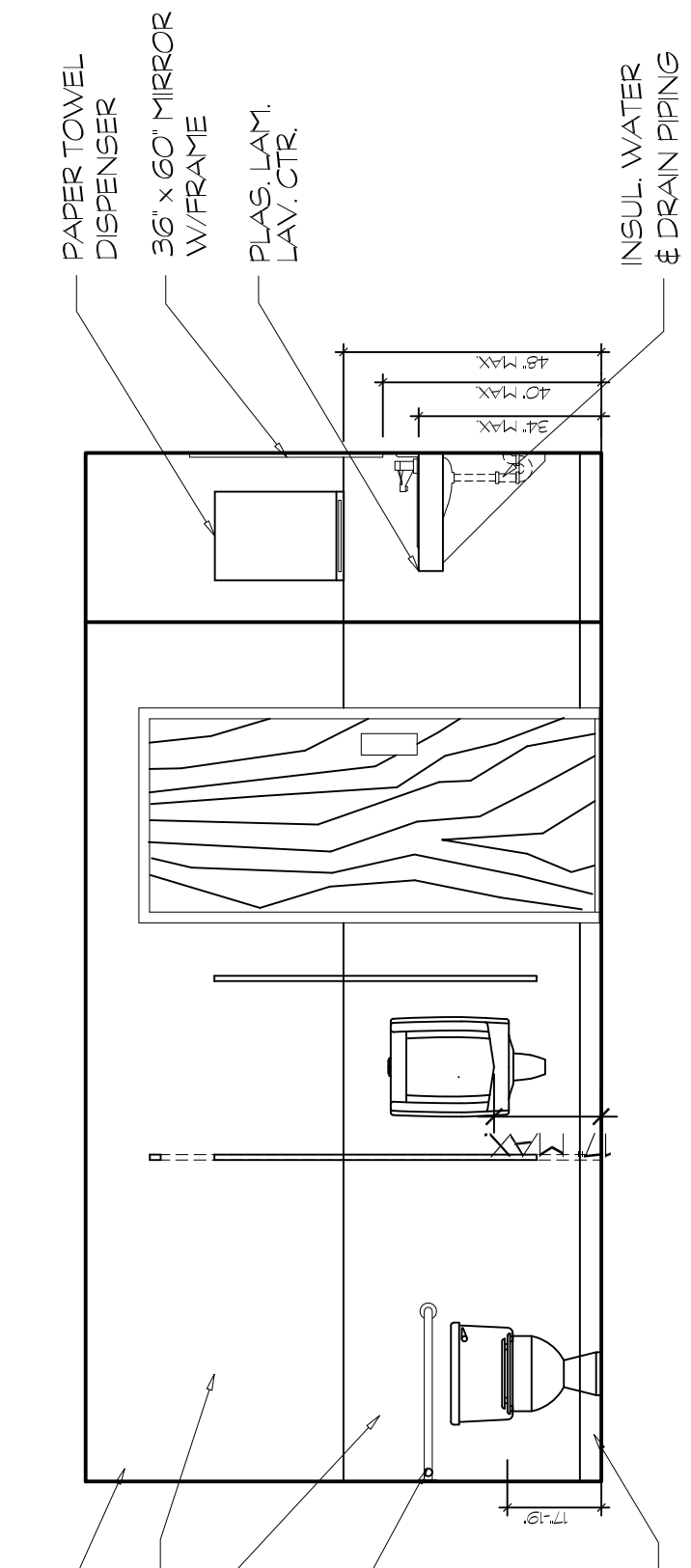
project no. 2K70609
 drawn by: RICK
 checked by: RICK
 date: AUG. 18, 2008
 scale: AS SHOWN
 sheet no. **A3**



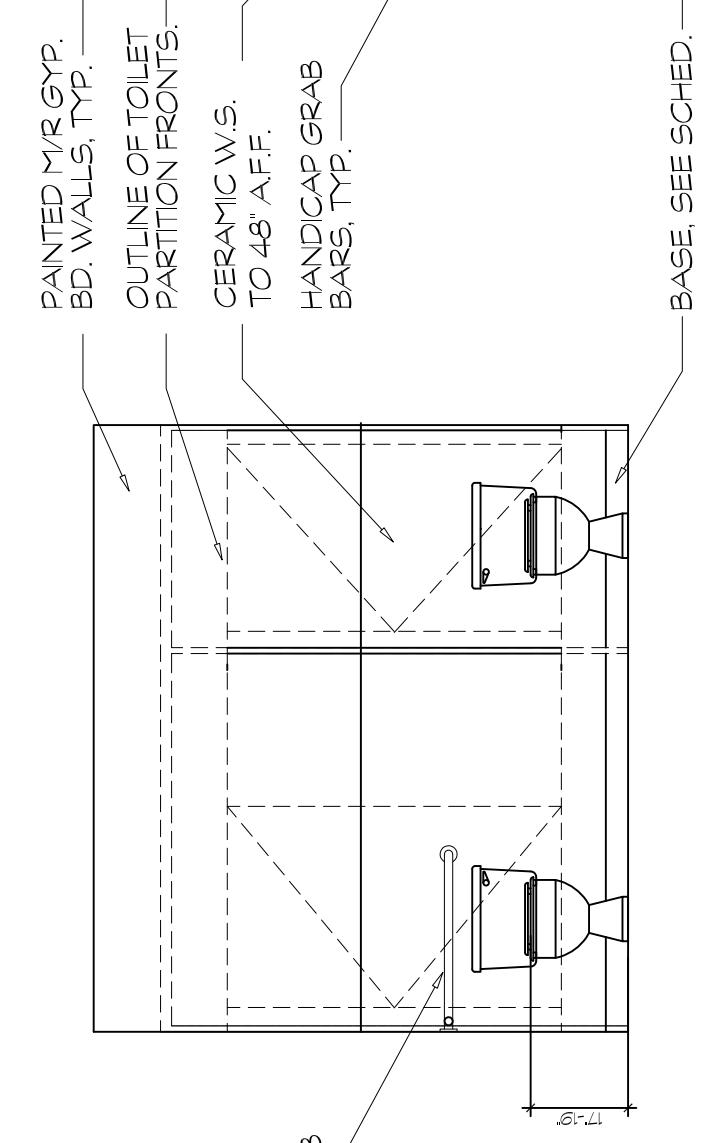
main floor ceiling plan
 SCALE: 3/16" = 1'-0"
 2,459 S.F.



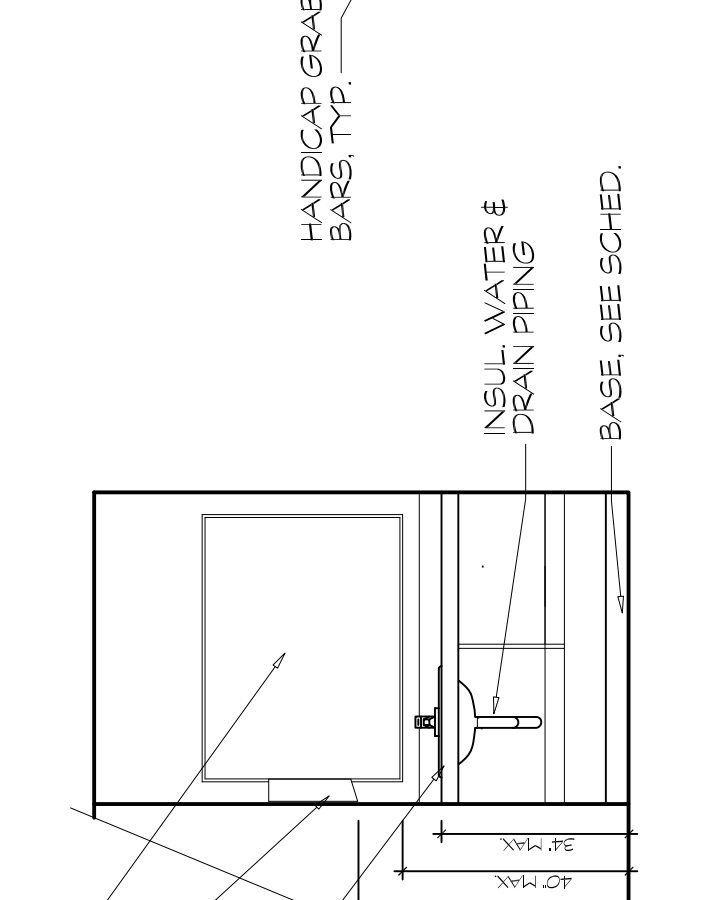
basement ceiling plan
 SCALE: 3/16" = 1'-0"
 2,459 S.F.



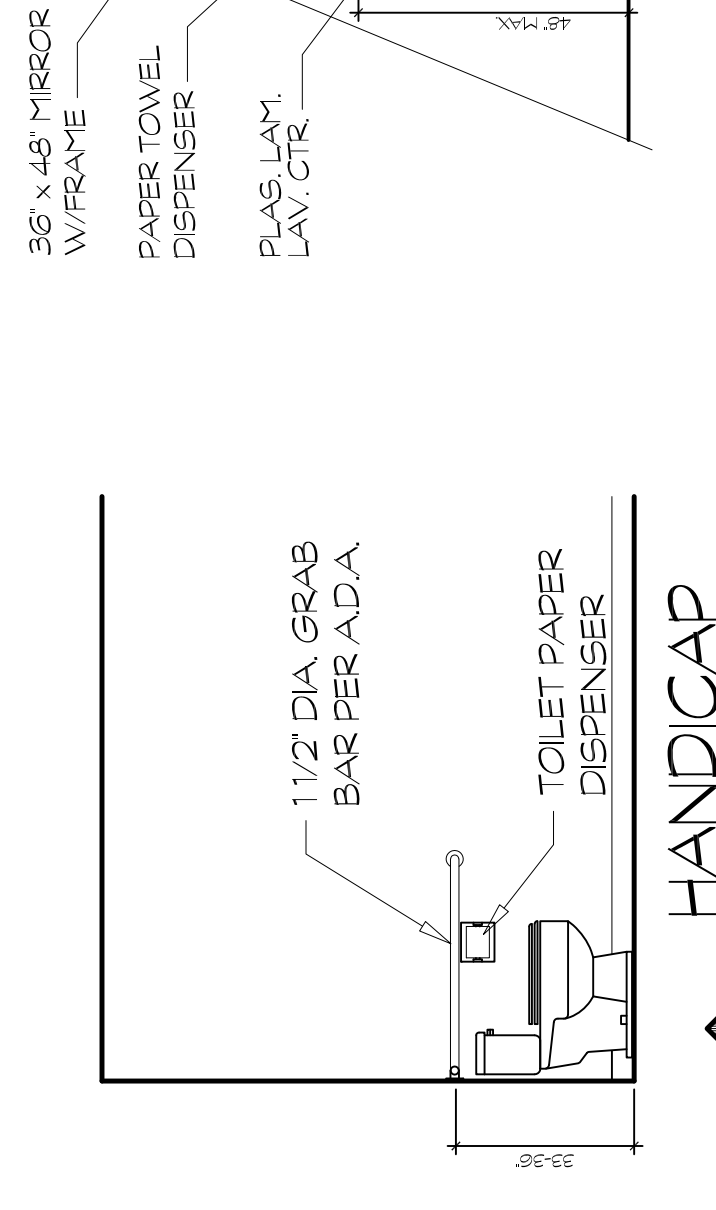
A MENS TOILET
 SCALE: 3/8" = 1'-0"



B WOMENS TOILET
 SCALE: 3/8" = 1'-0"

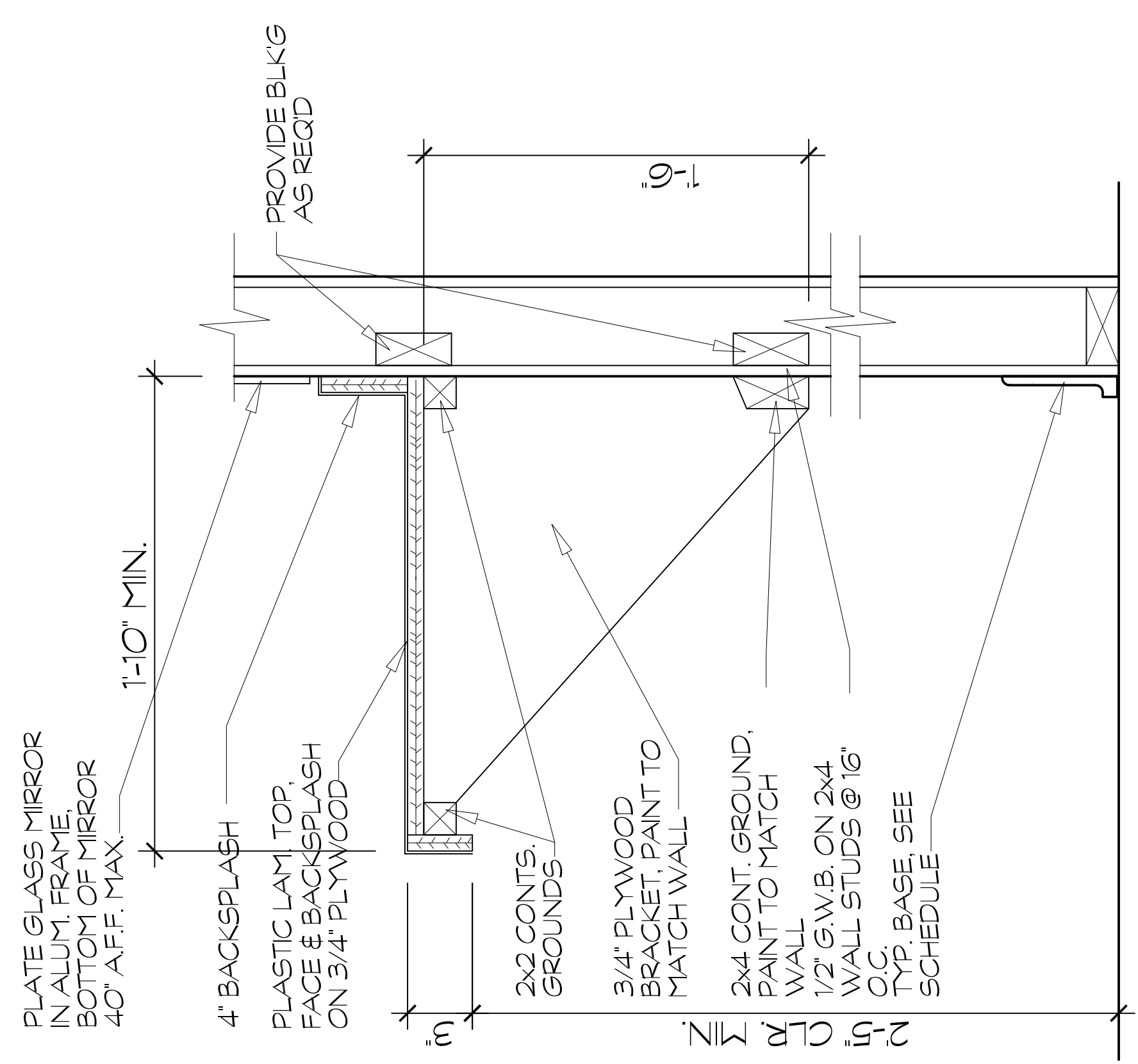


C LAVATORY (TYP.)
 SCALE: 3/8" = 1'-0"



D HANDICAP STALL ELEV.
 SCALE: 3/8" = 1'-0"

NOTE: SEE SHEET AS-1 FOR ACCESSIBILITY STANDARDS FOR TOILET ROOMS



3 SECTION @ COUNTER
 SCALE: 1/2" = 1'-0"

REF. CLG. PLAN LEGEND	
	2x4 SLEEPERS ON TILE
	GYP. BOARD W/ FLOAT. METAL HANGERS
	2x4 WALL STUDS
	2x4 SLAB ON FLOOR
	RECESSED CAN LIGHT
	CAN LIGHT
	NON-SLIP PNT.
	WALL PNT.
	CEILING PNT.
	TRACK LIGHTING
	SUPPLY REGISTER
	RETURN GRILLE
	EXHAUST FAN
	CEILING FAN
	CEILING FAN W/ LIGHT
	EMERGENCY LIGHT
	WALL-MOUNT. EMERGENCY LIGHT