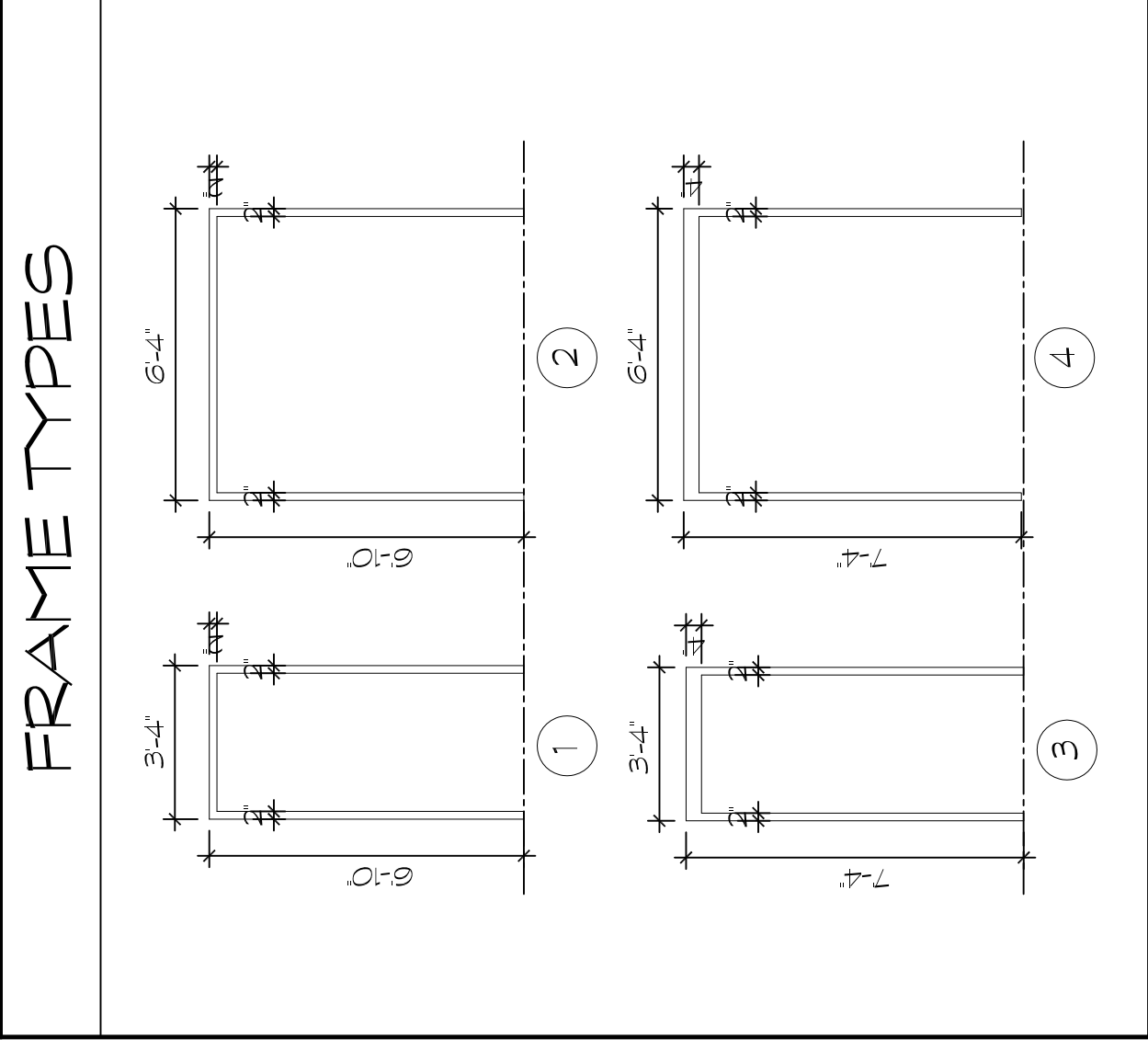
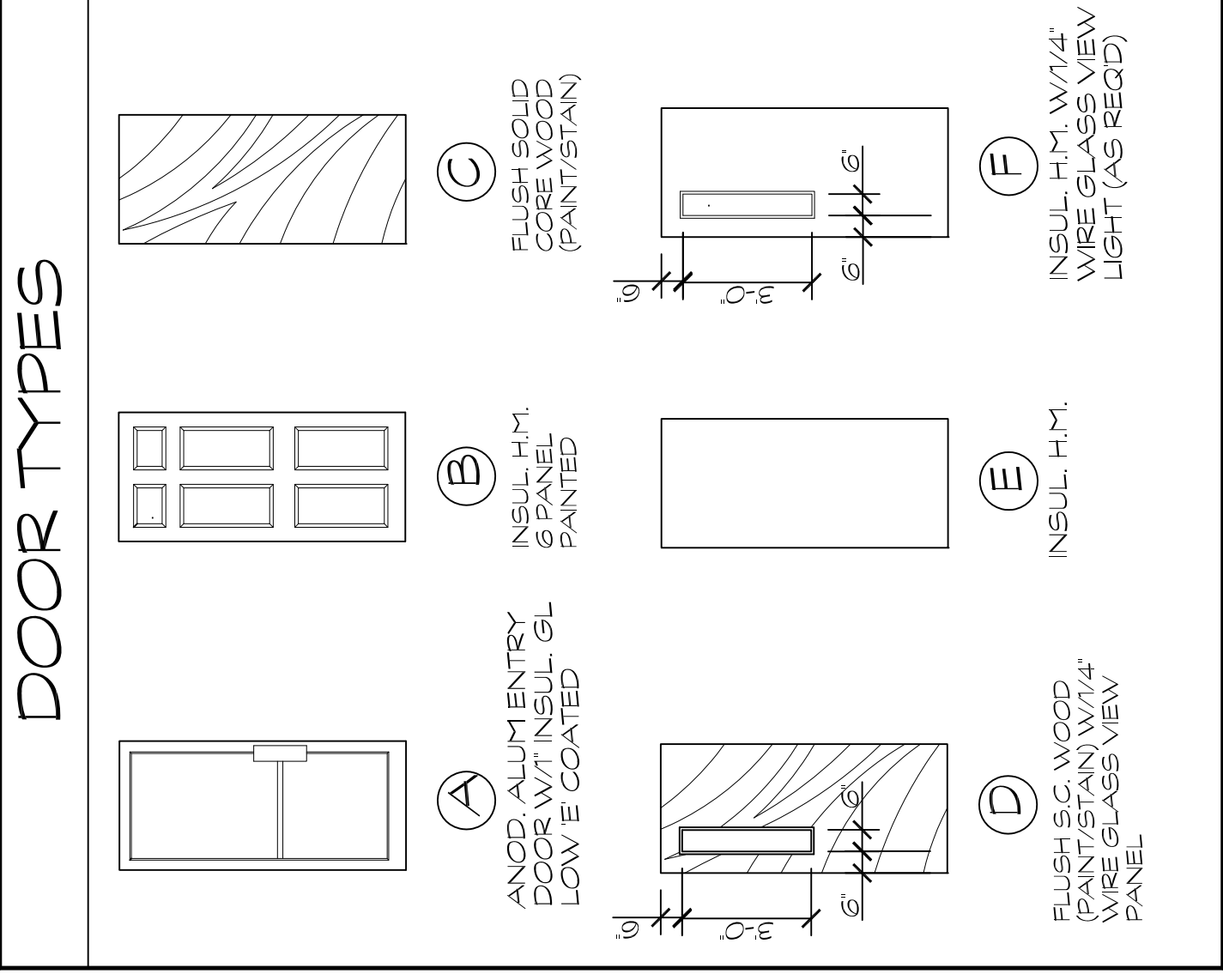


QUAN.	DESCRIPTION	MANUF.	MODEL	FINISH
<b>DOOR HARDWARE</b>				
<b>HW-1 (DOUBLE EXTERIOR / HM DOOR)</b>				
3 PR	BUTTS NRP	HAGER	BB279-4 1/2 X 4 1/2	626/US32D
2	EXT DEVICE	VON DUPRN	9927-36 X LBR T-O LBR	626/US32D
1	THRESHOLD	PE-KO	461 RPA	AL
2	SILENCERS	GUA	137A FOR H.M. FRAME	GREY
6	CLOSERS	LON	410 SERIES	AL
1	WALL BUMPER	GUA	137A FOR H.M. FRAME	AL
<b>HW-2 (SINGLE EXTERIOR / HM DOOR)</b>				
1/2 PR	BUTTS NRP	HAGER	BB279-4 1/2 X 4 1/2	626/US32D
1	EXT DEVICE	VON DUPRN	9927-36 X LBR T-O LBR	626/US32D
1	THRESHOLD	PE-KO	461 RPA	AL
2	SILENCERS	GUA	137A FOR H.M. FRAME	AL
1	CLOSER	LON	410 SERIES	AL
1	WALL BUMPER	GUA	137A FOR H.M. FRAME	AL
<b>HW-3 (TOILET ROOMS, NON-LOCKING FACILITIES)</b>				
1/2 PR	BUTTS B.B.	HAGER	BB279-4 1/2 X 4 1/2	626/US32D
1	PASSAGE SET	SCHLAGE	13022T WALL STOOP	626/US32D
1	WALL BUMPER	GUA	CONCAVE	630/US32D
<b>HW-4 (ENTRY DOORS)</b>				
3 PR	BUTTS NRP	HAGER	BB279-4 1/2 X 4 1/2	626/US32D
2	EXT DEVICE	VON DUPRN	9927-36 X LBR T-O LBR	626/US32D
1	THRESHOLD	PE-KO	461 RPA	AL
6	CLOSERS	GUA	137A FOR H.M. FRAME	GREY
1	WALL BUMPER	GUA	137A FOR H.M. FRAME	AL
<b>HW-5 (OFFICE, CLASSROOM, UTILITY &amp; STORAGE)</b>				
1/2 PR	BUTTS B.B.	HAGER	BB279-4 1/2 X 4 1/2	626/US32D
1	CLOSER	SCHLAGE	13022T WALL STOOP	626/US32D
3	SILENCERS	GUA	137A FOR H.M. FRAME	GREY
1	WALL BUMPER	GUA	CONCAVE	630/US32D
<b>HW-6 (PUSH/PULL TOILET ROOMS)</b>				
1/2 PR	BUTTS B.B.	HAGER	BB279-4 1/2 X 4 1/2	626/US32D
1	PULL PLATE	GUA	160A S PULL PLATE 4"	626/US32D
1	PUSH PLATE	GUA	160A S PULL PLATE 4"	626/US32D
1	CLOSER	LON	42-5 4" X 16" PLATE	626/US32D
1	SILENCERS	GUA	1461 RPA	AL
1	WALL BUMPER	GUA	137A FOR H.M. FRAME	GREY
1	WALL BUMPER	GUA	CONCAVE	630/US32D
<b>HW-7 (ALUM. STOREFRONT ENTRANCE)</b>				
2 SETS	PIVOT HINGES	MFR	INTEGRAL W/VENT DEVICE	COLOR AS SELECTED BY OWNER
2	CYLINDER LOCK	MFR		
2	EXT DEVICE	MFR		
1	THRESHOLD	MFR		
6	SILENCERS	MFR		
2	CLOSER	MFR		
2	FLOOR BUMPER	MFR		
<b>HW-8 (DOUBLE INTERIOR / HM DOOR)</b>				
3 PR	BUTTS NRP	HAGER	BB279-4 1/2 X 4 1/2	626/US32D
2	EXT DEVICE	VON DUPRN	9927-36 X LBR T-O LBR	626/US32D
6	SILENCERS	GUA	137A FOR H.M. FRAME	GREY
1	WALL BUMPER	GUA	CONCAVE	AL



### door schedule

MK.	DOOR SIZE	DOOR TYPE	FRAME TYPE DET.	HDWE	THRESH. MATL.	PRE RATG	REMARKS
100A	PR 3'-0" x 7'-0" x 13'-4"	B	4	HW-4	1/A-4		
101A	3'-0" x 6'-8" x 13'-4"	C	1	HW-6	2/A-4		
102A	3'-0" x 6'-8" x 13'-4"	C	1	HW-6	2/A-4		
103A	3'-0" x 6'-8" x 13'-4"	D	1	HW-5			
104A	PR 3'-0" x 7'-0" x 13'-4"	B	4	HW-4	1/A-4	2 HR	
104B	3'-0" x 6'-8" x 13'-4"	D	1	HW-5			
105A	PR 3'-0" x 6'-8" x 13'-4"	D	2	HW-6		1 HR	
105B	PR 3'-0" x 7'-0" x 13'-4"	B	4	HW-4	1/A-4		
107A	3'-0" x 6'-8" x 13'-4"	C	1	HW-5			
108A	3'-0" x 6'-8" x 13'-4"	C	1	HW-6			
002A	3'-0" x 6'-8" x 13'-4"	D	1	HW-5			
003A	3'-0" x 6'-8" x 13'-4"	D	1	HW-5			
004A	3'-0" x 6'-8" x 13'-4"	D	1	HW-5			
005A	3'-0" x 6'-8" x 13'-4"	D	1	HW-5		1 HR	
006A	PR 3'-0" x 7'-0" x 13'-4"	B	4	HW-4	1/A-4		
007A	3'-0" x 6'-8" x 13'-4"	D	1	HW-5		1 HR	
007B	3'-0" x 6'-8" x 13'-4"	POCKET					
008A	3'-0" x 6'-8" x 13'-4"	D	1	HW-5			

### GENERAL FINISH MATERIALS NOTES:

INTERIOR FINISH AND TRIM MATERIALS SHALL BE IN ACCORDANCE WITH NFPA 01 SECTION CLASS A INTERIOR WALL & CEILING FINISHES ARE TO BE CLASS A OR CLASS II.

ALL WALL & CEILING FINISHES ARE TO BE CLASS A OR CLASS B. ALL FLOOR FINISHES ARE TO BE CLASS I OR CLASS II.

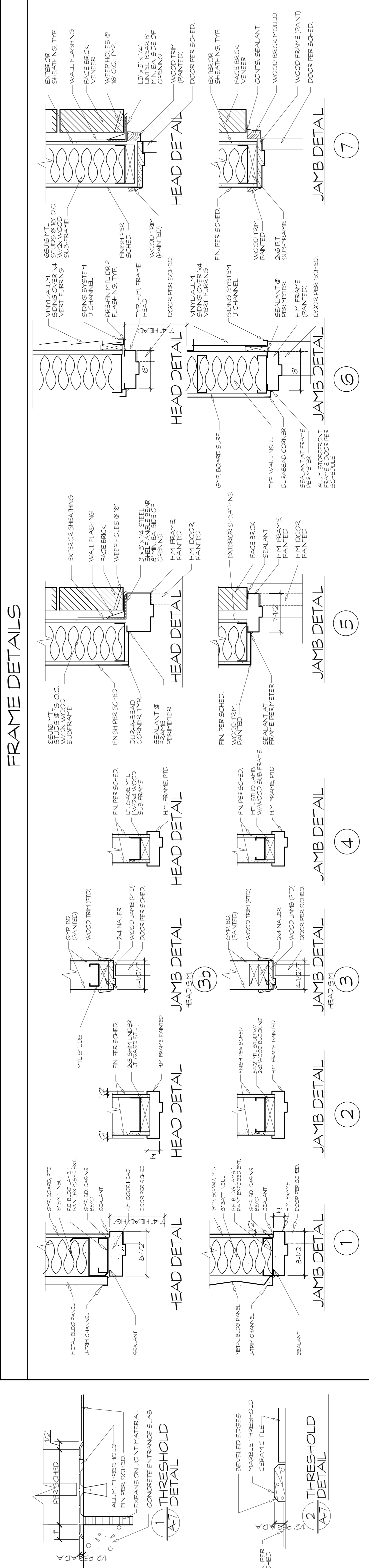
FIRE RATED CORRIDORS:  
 CLASS A INTERIOR WALL & CEILING FINISH FLAME SPREAD 0 - 25; SMOKE DEVELOPED 0 - 450  
 CLASS B INTERIOR WALL & CEILING FINISH FLAME SPREAD 26 - 75; SMOKE DEVELOPED 0 - 450  
 CLASS C INTERIOR WALL & CEILING FINISH CRITICAL RADIANT FLUX MINIMUM OF 0.45 W/50 CM  
 CLASS D INTERIOR WALL & CEILING FINISH CRITICAL RADIANT FLUX MINIMUM OF 0.22 W/50 CM

### room finish schedule

MK.	ROOM NAME	FLR.	BASE	WALLS	WAINSCOT	CEILING	REMARKS
100	FOYER	F6	B3	P1		C2 9'-0"	
101	MENS TOILET	F6	B3	P2	W4	C2 8'-0"	
102	JANITOR	F3	B1	P2		C2 8'-0"	
103	WOMENS TOILET	F6	B3	P2	W4	C2 8'-0"	
104	CORRIDOR	F1	B1	P1		C2 9'-0"	
105	SANCTUARY	F1	B1	P1		C2 9'-0"	
106	BAPTISTRY	F4	B1	P2		C2 9'-0"	
107	CHANGING	F1	B1	P1		C2 8'-0"	
108	CHANGING	F1	B1	P1		C2 8'-0"	
001	FOYER	F1	B1	P1		C2 8'-0"	
002	MENS TOILET	F6	B3	P2	W4	C2 8'-0"	
003	JANITOR	F3	B1	P2		C2 8'-0"	
004	WOMENS TOILET	F6	B3	P2	W4	C2 8'-0"	
005	CORRIDOR	F1	B1	P1		C2 8'-0"	
006	STORAGE	F4	B1	P1		C2 8'-0"	
007	FELLOWSHIP	F4	B1	P1		C2 8'-0"	
008	STORAGE	F4	B1	P1		C2 8'-0"	

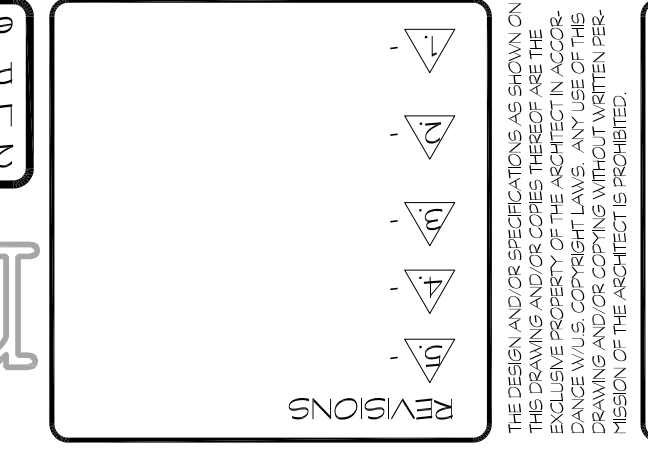
### ROOM FINISH LEGEND

F1	CARPET	B1	4" VINYL COVE BASE	C1	ACOUSTICAL SPRAY
F2	CERAMIC TILE	B2	QUARRY TILE COVE BASE	C2	SUSPENDED ACOUSTIC CLG
F3	SHEET VINYL	B3	CERAMIC TILE COVE	C3	PAINTED WATERPROOF GYP
F4	VINYL COMPOSITION TILE	B4	WOOD TRIM (SEE REMARKS)	C4	EXPOSED STRUCTURE
F5	RESILIENT GYM FLOORING	W1	REFIN. MTL LINER PANEL	C5	WOOD CLG (T-11)
F6	NON-SLIP CERAMIC TILE	W2	FIBERGLASS REIN. PLASTIC PANEL (FRP)	P1	EGGSHELL LATEX PAINT
F7	CONC. SEALER/HARDENER	W3	PAINTED 5/8" PLY WOOD OVER GYP BOARD	P2	BEH-5 GLOSS LATEX PAINT
F8	QUARRY TILE	W4	48" CERAMIC TILE WAINSCOT	P3	2-PART EPOXY PAINT OVER WR GYPSUM BOARD
F9	FINISHED CONCRETE				

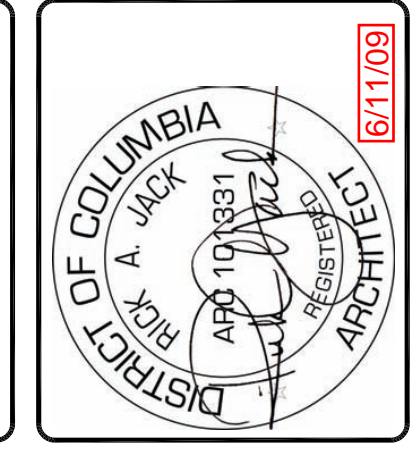


rick jock/design

15 HEMLOCK RIDGE ROAD  
 LEICESTER NORTH CAROLINA 28748  
 PH 828-683-7348 FAX 828-683-9902  
 email: rjck@rickjockdesign.com



THE DESIGN AND CONSTRUCTION OF THIS DRAWING IS THE SOLE PROPERTY OF THE ARCHITECT. NO ACCESS TO OR REPRODUCTION OF THIS DRAWING IS TO BE MADE WITHOUT THE WRITTEN PERMISSION OF THE ARCHITECT AS INDICATED.



Washington seventh day baptist church  
 new facility for:  
 CATTENDEN @ 16TH WASHINGTON, D.C.

project no: 2K70609  
 dwn by: RICK  
 rck by: RICK  
 date: AUG. 18, 2008  
 scale: AS SHOWN  
 sheet no: A6