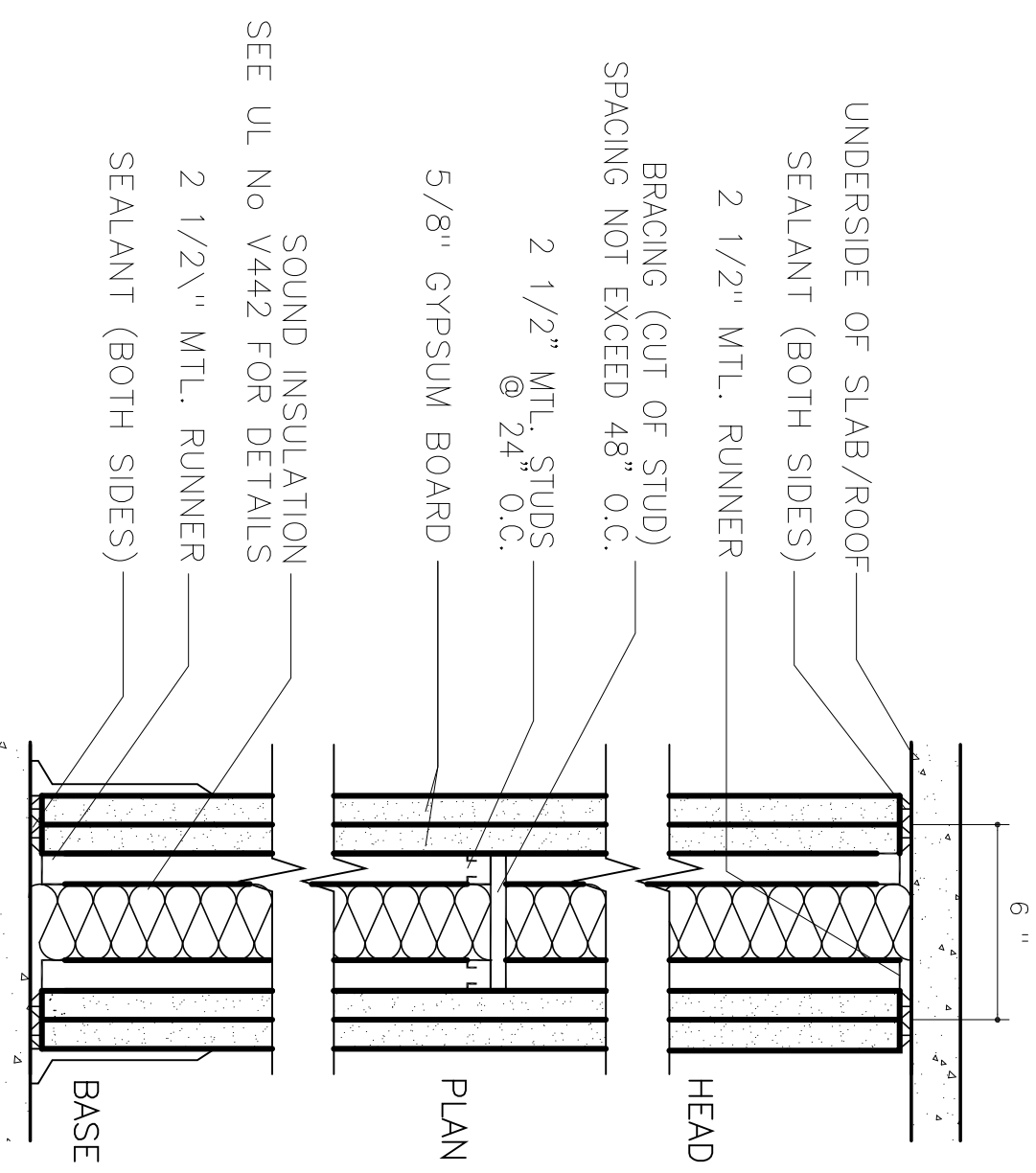
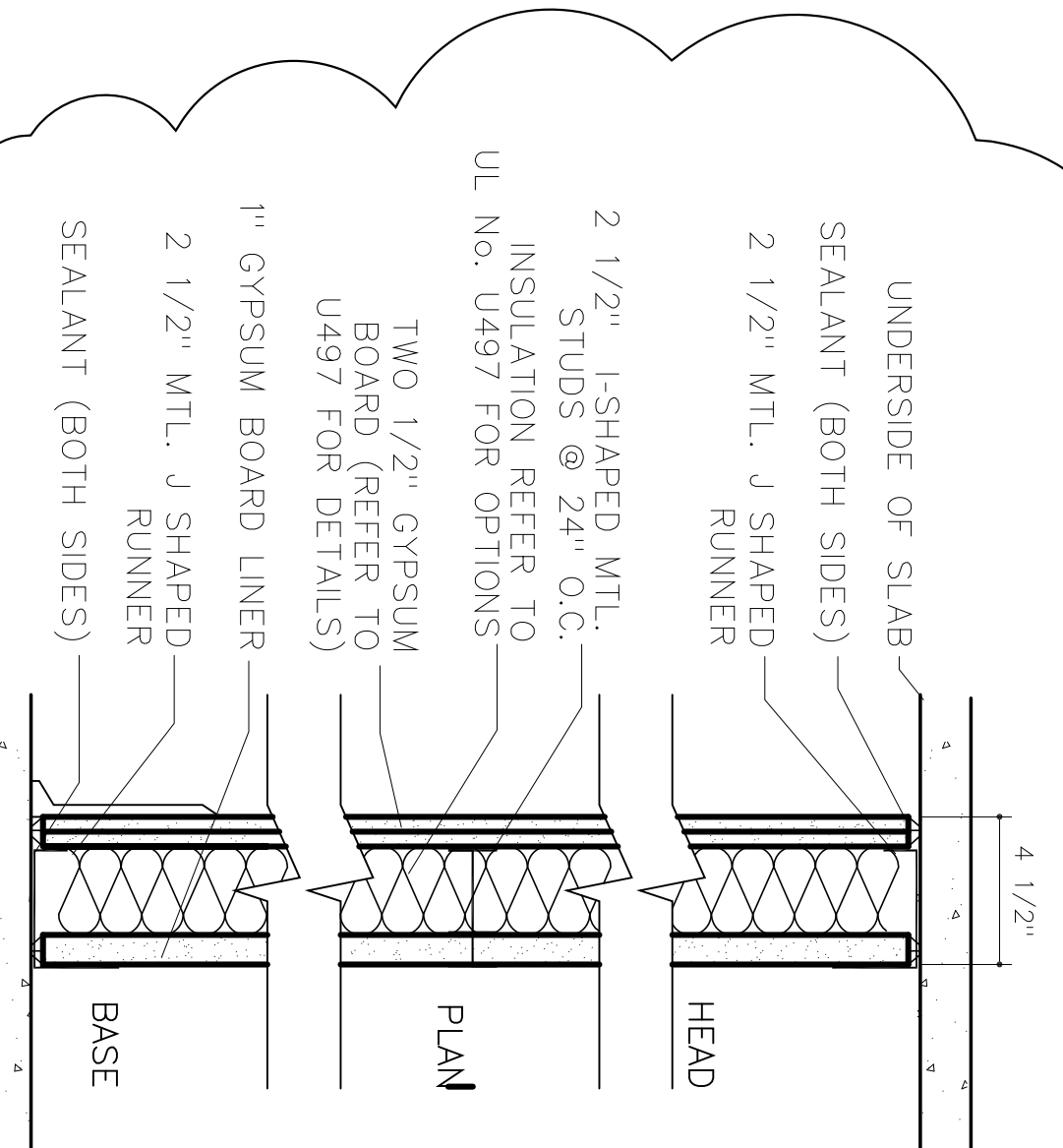


**1** STANDARD INTERIOR PARTITION  
N.T.S.



**2A** INT. CHASE PARTITION, 2 HR FIRE RATED  
UL. No. V442 STC: 43-44  
N.T.S.

**2** INT. PLUMBING PARTITION.  
N.T.S.

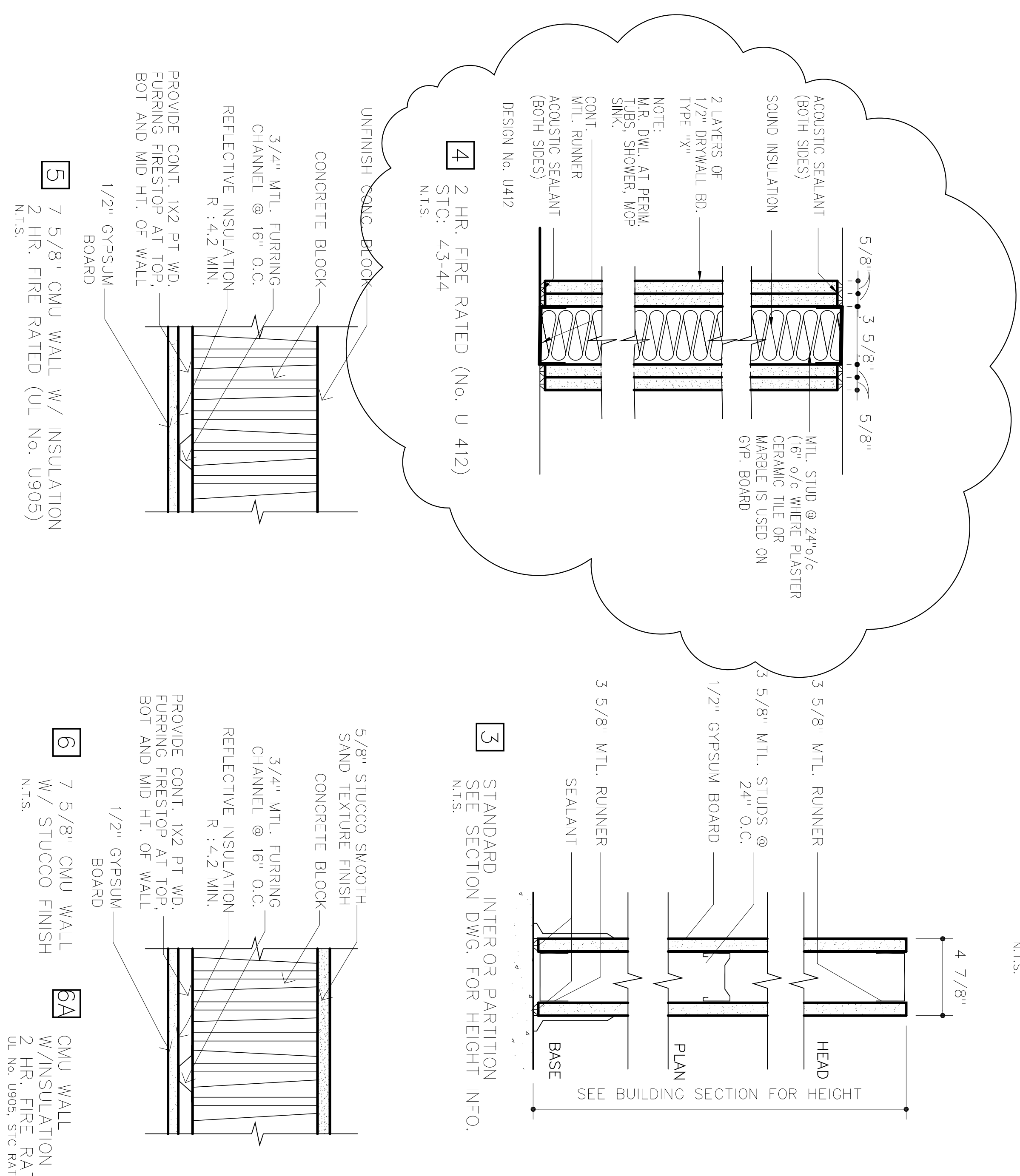
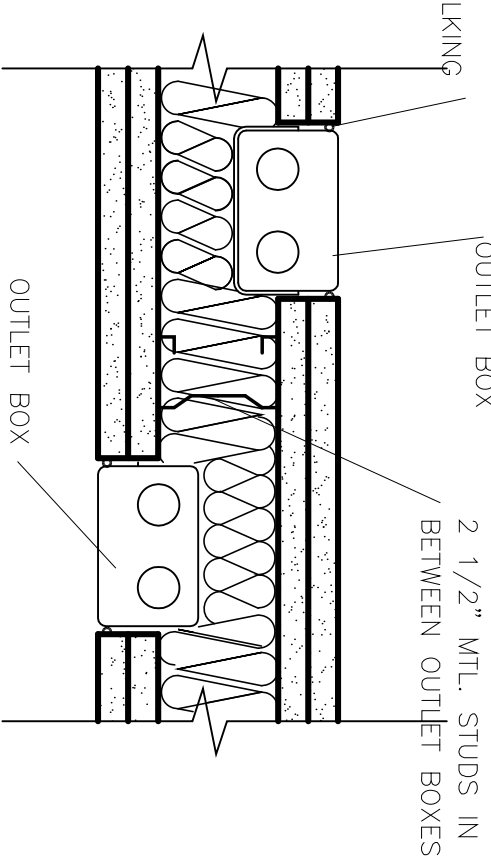


**7** INT. PARTITION, 2 HR FIRE RATED  
UL. No. U497 STC: 43-44  
N.T.S.

**GENERAL NOTES:**

- FOR ALL INTERIOR FINISHES REFER TO FINISH SCHEDULE.
- ALL WALLS AND PARTITIONS SHALL BE IN ACCORDANCE WITH FIRE RESISTANCE REQUIREMENTS AS STATED IN THE 2002 REVISION FLORIDA BUILDING CODE AND AS PROVIDED IN THESE NOTES
- PROJECTS IS TO BE FULLY PROTECTED BY AUTOMATIC SPRINKLER SYSTEM AND FIRE RESISTANCE REQUIREMENTS ARE CALCULATED WITH REDUCTIONS AS STATED IN THE 2001 FLORIDA BUILDING CODE, NFPA 101
- ALL WALL & PARTITION TYPES AS DETAILED IN THESE DRAWINGS ARE TYPICAL AND ARE TO ENCLOSE CONDITIONS AS NOTED. WALLS & PARTITIONS AFFECTED BY DISTANCE SEPARATION REQUIREMENTS ARE NOTED DIFFERENTLY.
- METAL STUDS FOR PARTITIONS ARE TO BE 3 5/8" UNLESS OTHERWISE NOTED OR AS REQUIRED TO ACCOMMODATE PIPES, CONDUITS, ELECTRIC PANELS ETC.
- EMERGENCY GENERATOR, TRANSFORMER VAULT ROOMS, ELECTRICAL, ELEVATOR MACHINE ROOMS AND STORAGE ROOMS OVER 150 SQ.FT. TO HAVE 8" CMU, WALL CONSTRUCTION.
- EXTERIOR WALLS TO HAVE 8"CMU, WALL CONSTRUCTION EXTERIOR SURFACES TO HAVE STUCCO FINISH, INTERIOR SURFACES WITH FURRING CHANNELS 24" O.C.MAX. INSULATION AND GYPSUM OR DURAROCK WALLBOARD. (TYPE 5)
- FOR ALL EXTERIOR WALL FINISHES REFER TO WALL SECTIONS AND BUILDING ELEVATIONS.
- ALL PLUMBING CHASE PARTITIONS TO BE TYPE 2A UN.O.
- PROVIDE 450 DEGREES RISE AT MEANS OF EGRESS STAIR DOOR HARDWARE.
- ALL OUTLET BOXES MOUNTED IN OPPOSITE SIDES IN SOUND INSULATED PARTITIONS TO BE INSTALLED AS PER PLAN DETAIL BELOW.
- STEEL STUDS SUPPORTING WALL HUNG PLUMBING FIXTURES SHALL BE DOUBLED OR NOT LESS THAN 20 GAGE W/ A MINIMUM EFFECTIVE MOMENT OF INERTIA EQUAL TO 0.864 in<sup>4</sup> (360 in<sup>4</sup>) SUCH STUDS SHALL BE RIGIDLY CONNECTED TOP AND BOTTOM TO PREVENT SIGNIFICANT END ROTATION OR DISPLACEMENT. A HORIZONTAL GRAB BARS SECURELY FASTENED TO NOT LESS THAN TWO STUDS SHALL BE INSTALLED FOR THE ATTACHMENT OF EACH WALL HUNG PLUMBING FIXTURE.
- SEALANT (TYP.)  
FIRE RATED CAULKING
- OUTLET BOX
- OUTLET BOX
- 2 1/2" MTL. STUDS IN BETWEEN OUTLET BOXES

**TYPICAL PLAN DETAIL THROUGH PARTITION-OPENINGS OUTLET BOXES**  
N.T.S.



**3** STANDARD INTERIOR PARTITION  
SEE SECTION DWG. FOR HEIGHT INFO.  
N.T.S.

**4** 2 HR. FIRE RATED (No. U 412)  
STC: 43-44  
N.T.S.

**5** 7 5/8" CMU WALL W/ INSULATION  
2 HR. FIRE RATED (UL No. U905)  
N.T.S.

**6** 7 5/8" CMU WALL  
W/ STUCCO FINISH  
N.T.S.

**6A** CMU WALL  
W/INSULATION  
2 HR. FIRE RATED  
UL No. U905, STC RATING: 55

First Haitian Free Church of Nazarene by Faith  
N  
ORLANDO, FLORIDA

**RAMOSMARTINEZ**  
ARCHITECTS, INC. AA 26000528

MIAMI: 12th AVENUE, SUITE 1100, MIAMI, FL 33136  
TELEPHONE: 305-548-3008  
FACSIMILE: 305-548-3220  
WEBSITE: www.ramq.com

NEW YORK: 11 ERIE STREET, JERSEY CITY, NJ 07302

**WALL PARTITION TYPES**

308 SOUTH ORANGE BLOSSOM TRAIL, ORLANDO, FLORIDA

REVISIONS: 08/2008

DATE: 08-03

DRAWN BY:

CHECKED BY:

**A-10.3**