

## FIRE DEPARTMENT NOTES:

1. The location of the fire alarm control panel should be at the main entrance.
2. Submit SHOP drawings & SPECIFICATIONS for the Fire Protection Systems for approval prior to installation.
3. Sprinkler systems must be installed in accordance with applicable NFPA standards.
4. PORTABLE fire extinguishers (Not less than 2-A:10 B:C) must be provided within 75 feet of travel distance from any point in the building.
5. A sodium or potassium bicarbonate dry chemical fire extinguisher at least 40B must be installed within 30 ft. of commercial cooking systems.
6. Complete plans and specifications for fire alarm systems shall be submitted for review and approval prior to system installation.
7. Fire Alarm Systems shall meet the approval of the fire department as to installation and location and shall be subject to such periodic tests as required by the chief.

### TOILET ROOMS SHALL CONFORM TO ALL ACCESSIBILITY REQUIREMENTS OF THE UNIFORM FEDERAL ACCESSIBILITY STANDARDS INCLUDING, BUT NOT LIMITED TO, THE FOLLOWING:

- A. Water closet seat height - 1'-5" to 1'-7" A.F.F.
- B. Center line of water closet - 1'-6" from side wall.
- C. Grab bar behind water closet - 3'-0" long, 2'-0" to 3'-0" A.F.F.
- D. Grab bar AT SIDE OF WATER CLOSET - 3'-6" LONG, 2'-8" TO 3'-0" A.F.F.
- E. Grab bar DIAMETER - 1 1/4" TO 1 1/2"
- F. Space between wall and grab bar - 1-1/2"
- G. Toilet paper dispenser - 3'-0" max. from rear wall, 4'-7" min. A.F.F.
- H. Voice clearance of lavatory - open 2'-0" min., 16 1/2" H.T., 8" min. DEPTH.
- I. Lavatory depth - 1'-5" min.
- J. Lavatory hot water and drain pipes insulated exposed.
- K. Lavatory rim surface - 2'-0" min. A.F.F.
- L. Mirror bottom edge - 3'-4" max. A.F.F.
- M. International symbol of accessibility shall be mounted on the exterior of the toilet room door.

### HANDICAPPED REQUIREMENTS

#### 1. UNIFORM FEDERAL ACCESSIBILITY STANDARDS as related to commercial construction.

1. Primary entrances to the building will be usable by individuals in wheelchairs. Thresholds will not exceed 1/2" in height.
2. Hand activated door opening hardware will be centered between 2'-4" and 3'-4" above the floor. Latching and locking doors that are hand activated and which are in the path of travel, will be operable with a single effort by lever type hardware designed to provide passage without requiring the ability to grasp the opening hardware. Locked exit doors will operate as above in egress direction.

#### CONTROL

4. Maximum effort to operate door will not exceed 8.5 pounds for exterior doors and 5 pounds for interior doors, such pull or push effort being applied at right angles to hinge doors and at the center plane of swing or folding doors. Compensating devices or automatic door operators may be utilized to meet the above standards. When doors are required, the maximum effort to operate the door may be increased not to exceed 15 pounds.

#### TOILET

5. The height of accessible water closets shall be a minimum of 1'-9" and a maximum of 1'-7" measured to the top of the toilet seat. Flush controls shall be operable by an overriding handle with a maximum operating force of 5 lbs. or by a remote low voltage button. The handle or button shall be located so that it is operable without requiring excessive body movement.

#### URINALS

6. Where urinals are provided, at least one elongated rim at a maximum of 1'-11 1/2" above the floor is required. Flush controls shall be hand operated and shall be mounted no more than 3'-6" above the floor.

#### LAVATORIES

7. Lavatories shall be mounted with a clearance of at least 2'-6" from the floor to the bottom of the apron with knee clearance under the front lip extending a minimum of 1'-8" in width with 8" minimum depth at the top. Top clearance shall be the same width and shall be a minimum of 1'-11 1/2" deep from the front of the lavatory. Hot water and drain under lavatories shall be insulated or otherwise covered. There shall be no sharp or abrasive surfaces under lavatories.

#### TOILET FACILITIES

8. Multiple accommodation toilet facilities shall have the following:

A clear space measured from the floor to a height of 1'-3" above the floor, within the sanitary facility room or adjacent area to provide a circle with a diameter not less than 5'-0", or a clear space 4'-0" by 5'-0" in size. Doors other than the door to the handicapped toilet compartment in any position may encroach into this space by not more than 12".

A water closet fixture located in a compartment shall provide a 2'-4" wide clear from a fixture or a 2'-0" wide clear space from a wall at one side of the water closet and a 4'-0" long clear space in front of the water closet if the compartment has an exit opening door (facing the water closet). A 5'-0" minimum length clear space shall be provided in a compartment with the door located at the side. Grab bars shall not project more than 9" into the clear space as specified above.

A water closet compartment shall be equipped with a door that has an automatic closing device, shall have a clear unobstructed opening width of 2'-0" when located at the end and 2'-10" when located at the side with the door positioned at an angle of 90 degrees from its closed position. Swing for door opening width and door swings, a clear unobstructed access not less than 3'-6" shall be provided to water closet compartments designed for use by the handicapped and the space immediately in front of a water closet compartment shall be not less than 4'-0" as measured at right angles to compartment door in its closed position.

#### 9. HANDRAILS & GRAB BARS.

- Handrails: The structural strength of handrails, fasteners and mounting devices, shall be capable of withstanding a thrust of 250 lbs. applied in any direction. Handrails shall not rotate in their mountings.
- Grab Bars: The structural strength of grab bars, fasteners, and mounting devices shall be capable of supporting a steady force of 300 lbs. applied in any direction. Grab bars shall rotate in their mountings.

#### 10. CONTROL AND OPERATING MECHANISMS.

Operable controls and operating mechanisms shall meet all ANSI standards regarding clear floor space, height and operation by one hand with a minimum force of 5 lbs.

#### 11. ALARMS

- Audible Alarms: Audible emergency alarms shall produce a sound that exceeds the prevailing equivalent sound level in the room or space by least 15 decibels or exceeds any maximum sound level with a duration of 30 seconds by five decibels, whichever is louder. Sound levels for alarm signals shall not exceed 120 decibels.

## FIRE PROTECTION NOTES

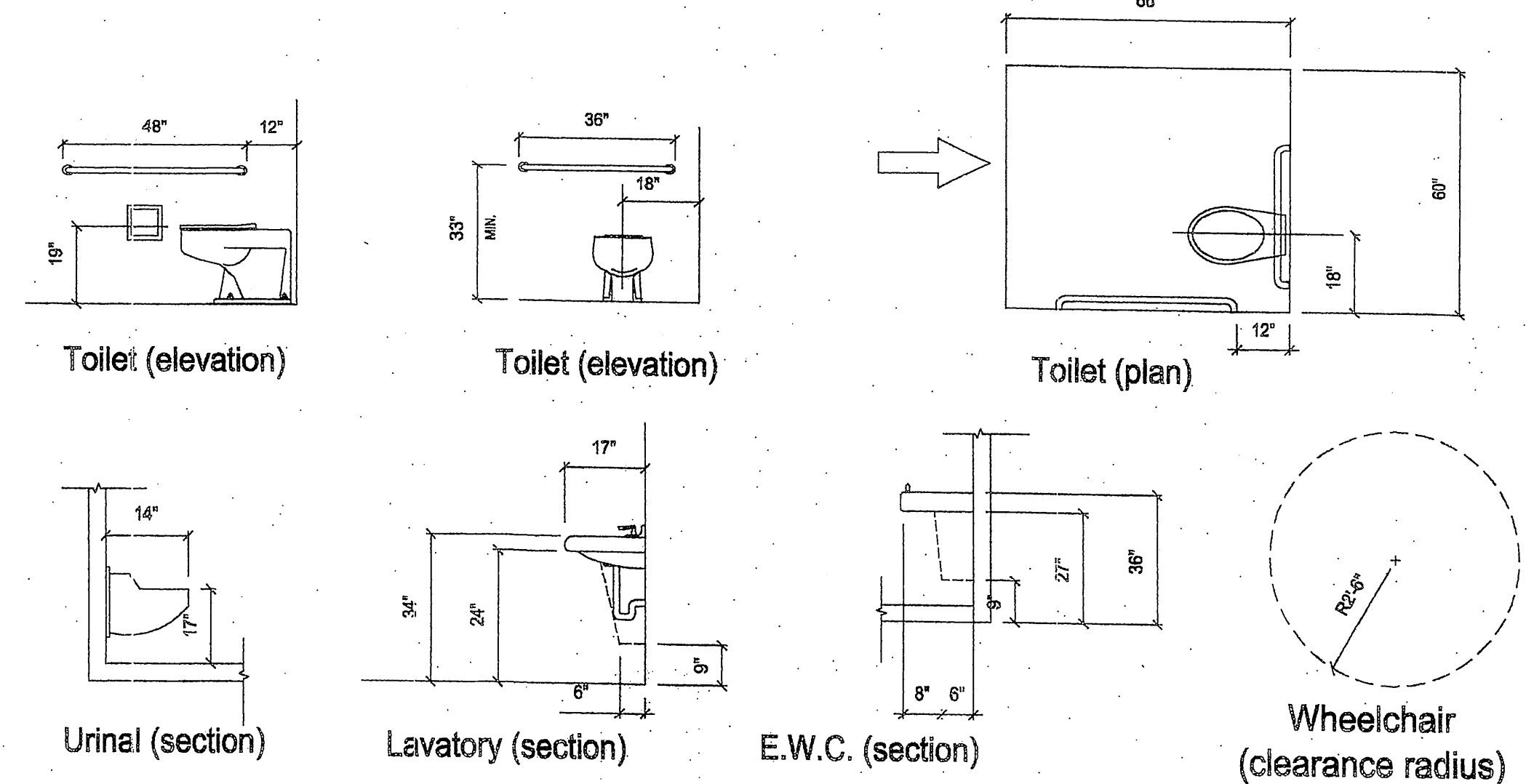
\*\*BUILDING SHALL BE SPRINKLERED PER NFPA CODE

\*\*ALL SMOKE DETECTORS SHALL BE HARDWIRED AND INTERCONNECTED.

(FOI) 1 HR. FIRE RATED DOOR AND FRAME

# ACCESSIBILITY STANDARDS

## HANDICAPPED TOILET GUIDELINES



## PARTITION SCHEDULE

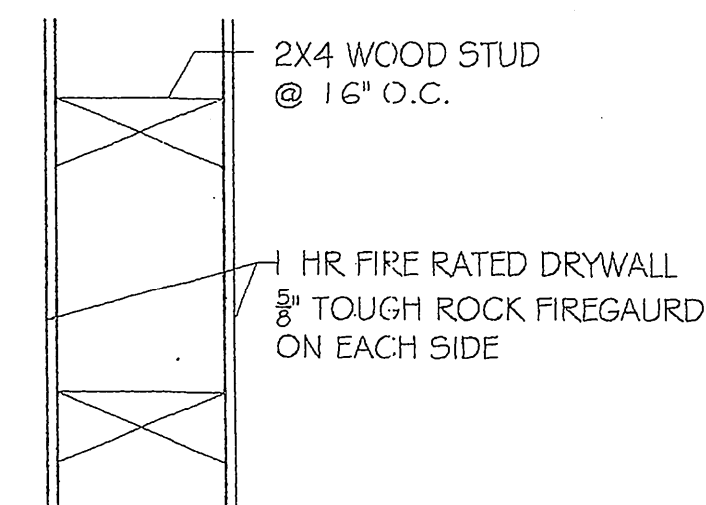
EXISTING 8" MASONRY WALL

NEW 1 HR. FIRE RATED PARTITION WALL - U.L. #U305 SEE PARTITION SCHEDULE FOR DETAILS

NEW METAL FRAMED STUD WALL W/ 1/2" GYP BD. -PTD.

## WALL PARTITION

U.L. U305



NOTE: EXTND. WALL TO CEILING PROVIDE FIRE RATED CAULKING TO SEAL JOINT

### NOTES FOR DOORS:

1. PANIC HARDWARE SHALL HAVE THE ACTIVATING MEMBER MOUNTED NOT LESS THAN 30" NOR MORE THAN 44" ABOVE FINISH FLOOR.
  2. MANUALLY OPERATED EDGE- OR SURFACE-MOUNTED FLUSH BOLTS AND SURFACE BOLTS ARE PROHIBITED. WHEN EXIT DOORS ARE USED IN PAIRS AND APPROVED AUTOMATIC FLUSH BOLTS SHALL HAVE NO DOOR KNOB OR SURFACE MOUNTED HARDWARE. THE UNLATCHING OF ANY LEAF SHALL NOT REQUIRE MORE THAN ONE OPERATION IBC SECTION 1003.3.1.8
  3. EXIT DOORS SHALL BE OPENABLE FROM INSIDE WITHOUT THE USE OF A KEY OR ANY SPECIAL KNOWLEDGE OR EFFORT. IBC SEC. 1003.3.1.8 EXPECTATIONS: 1. IN GROUP A-3, AND B OCCUPANCIES, KEY LOCKING HARDWARE MAY BE USED ON THE MAIN EXIT WHEN THE MAIN CONSISTS OF A SINGLE DOOR OR PAIR OF DOORS IF THERE IS A READILY VISIBLE, DURABLE SIGN ON OR ADJACENT TO THE DOOR STATING THIS DOOR TO BE REMAIN UNLOCKED DURING BUSINESS HOURS. THE SIGN SHALL BE IN LETTERS NOT LESS THAN 1 INCH HIGH ON A CONTRASTING BACKGROUND. WHEN UNLOCKED, THE SINGLE DOOR OR BOTH LEAVES OF A PAIR OF DOORS MUST BE FREE TO SWING WITHOUT OPERATION OF ANY LATCHING DEVICE. THE USE OF THIS EXCEPTION MAY BE REVOKED BY THE BUILDING OFFICIAL FOR DUE CAUSE.
  4. DOOR HANDLES SHALL BE LEVER TYPE, PUSH/PULL OR EQUIVALENT. MAXIMUM EFFORT TO OPERATE DOORS SHALL NOT EXCEED 8 1/2 LBS. FOR EXTERIOR DOORS AND 5 LBS. FOR INTERIOR DOORS.
  5. DOOR HANDLES SHALL BE LEVER TYPE, PUSH/PULL OR EQUIVALENT MAXIMUM EFFORT TO OPERATE DOORS SHALL BE EXCEED 8 LBS. FOR EXTERIOR DOORS AND 5 LBS. FOR INTERIOR DOORS.
  6. A MINIMUM 24" EXTERIOR STRIKE SIDE CLEARANCE SHALL BE MAINTAINED FOR SINGLE PRIMARY ENTRANCE DOORS; 18" ON THE INTERIOR STRIKE SIDE CLEARANCE; 12" ON THE PUSH SIDE CLEARANCE IF DOOR HAS CLOSER A LATCH.
- DOOR AND GATE CLEARANCE SHALL BE DIMENSION ON PLANS TO REFLECT THE REQUIRED CLEARANCE.

TABLE OF CONTENTS

REVISION	DATE
#3	OCTOBER 31, 2007

SHEET NO.

A.1

