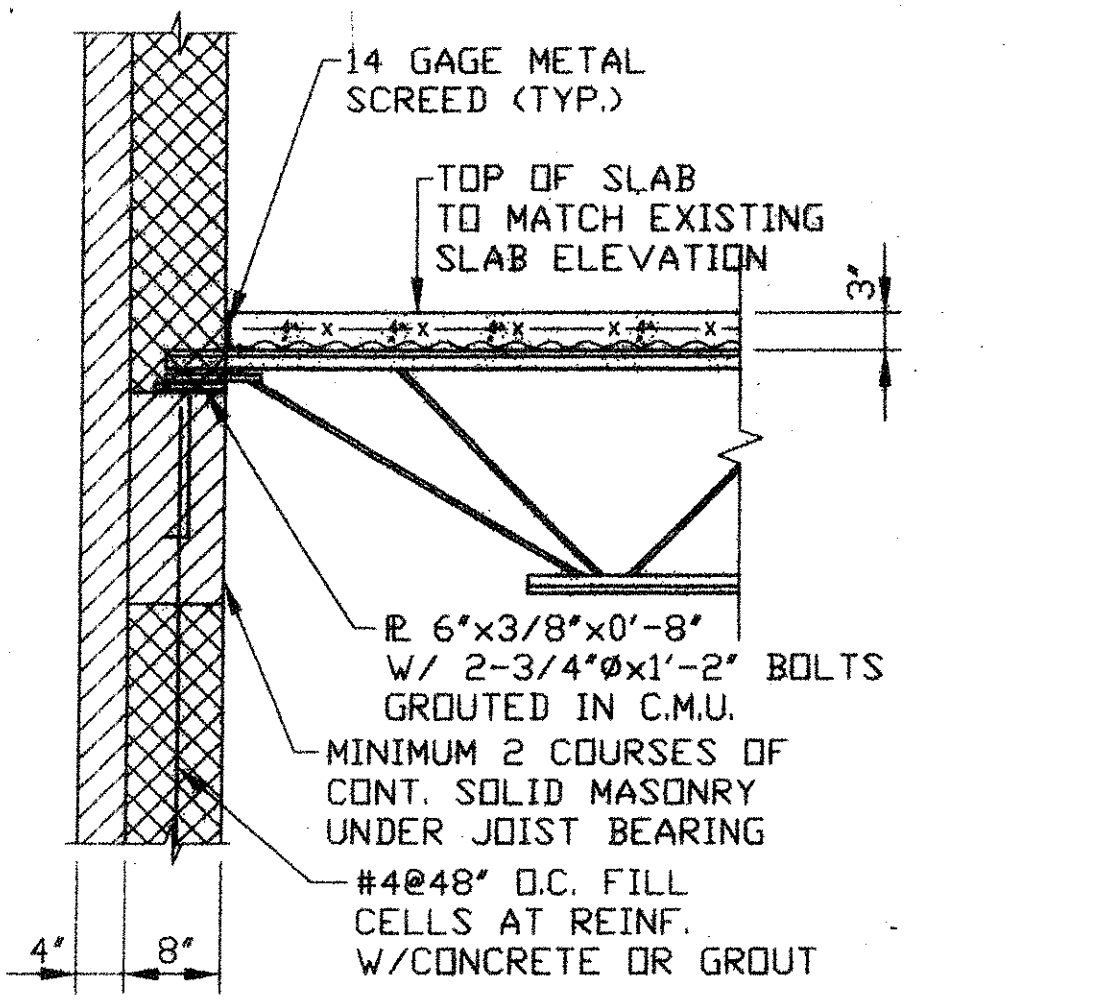
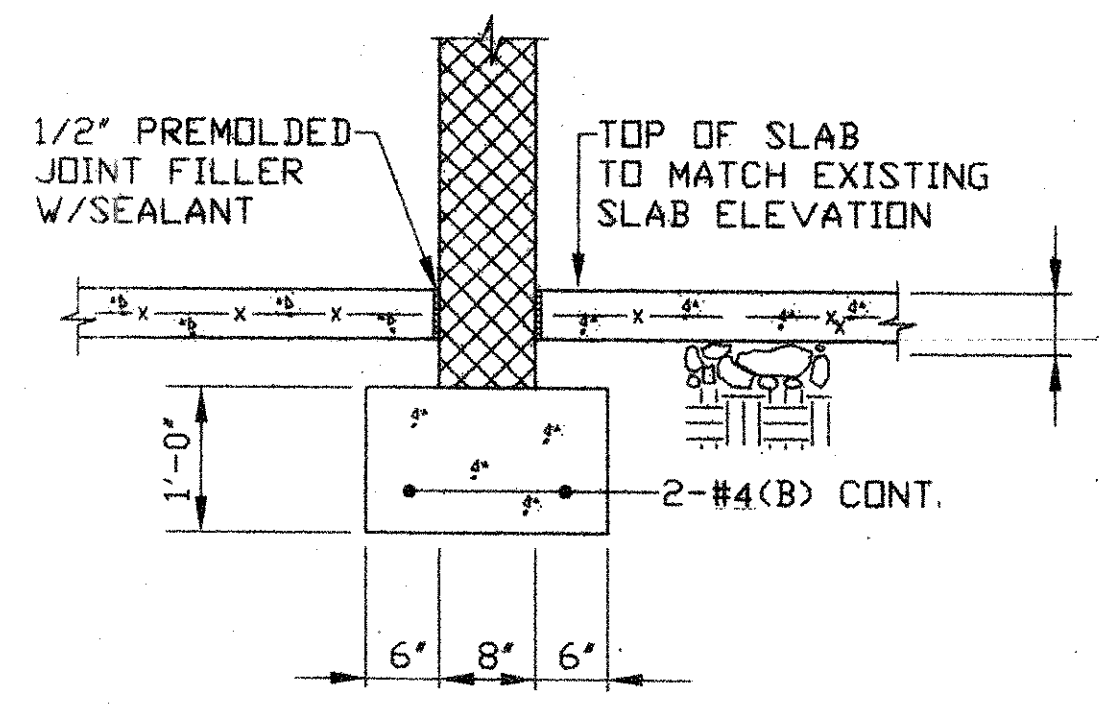


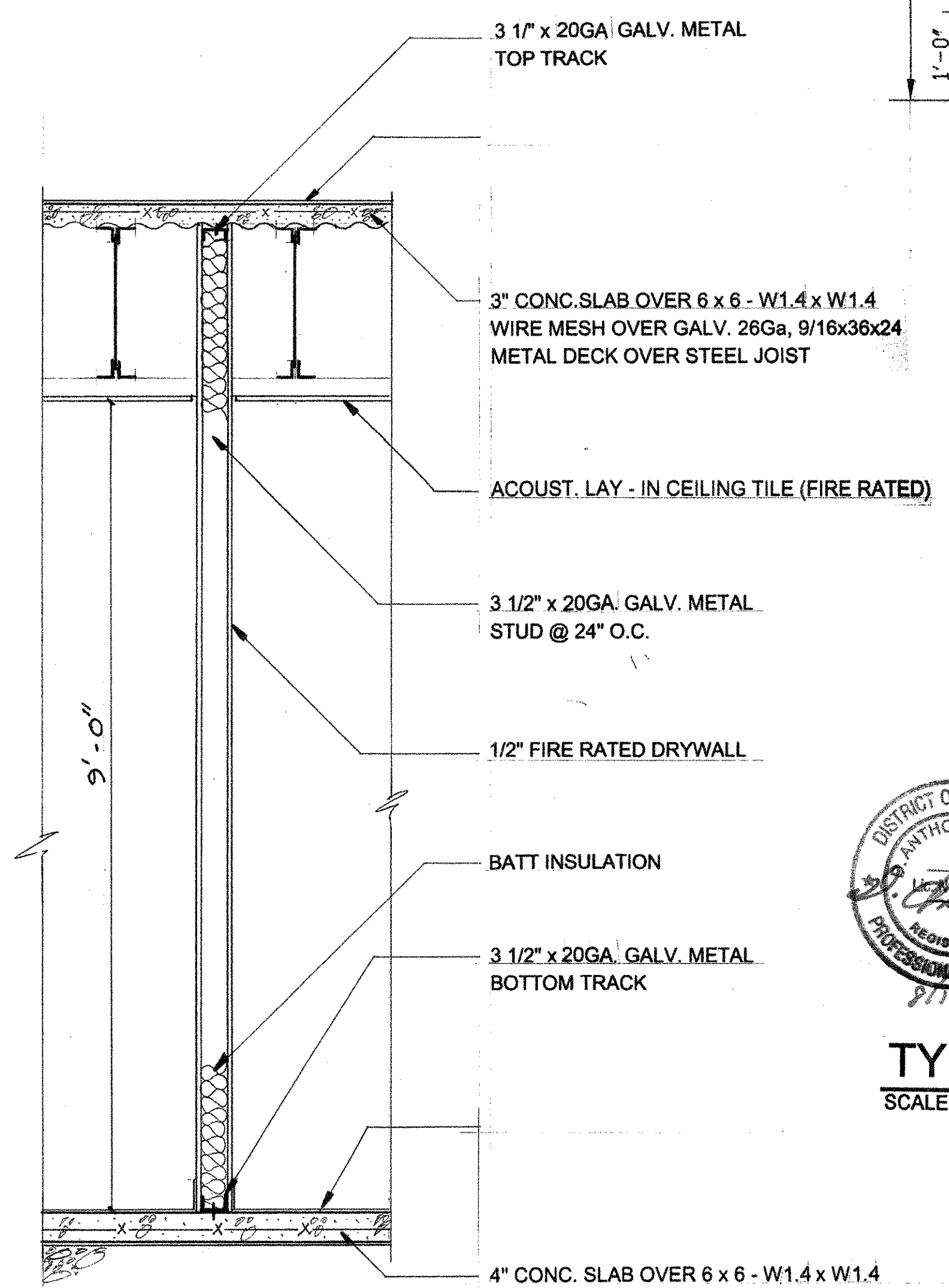
TYPICAL WALL DETAIL B
SCALE: 3/4" = 1' - 0"



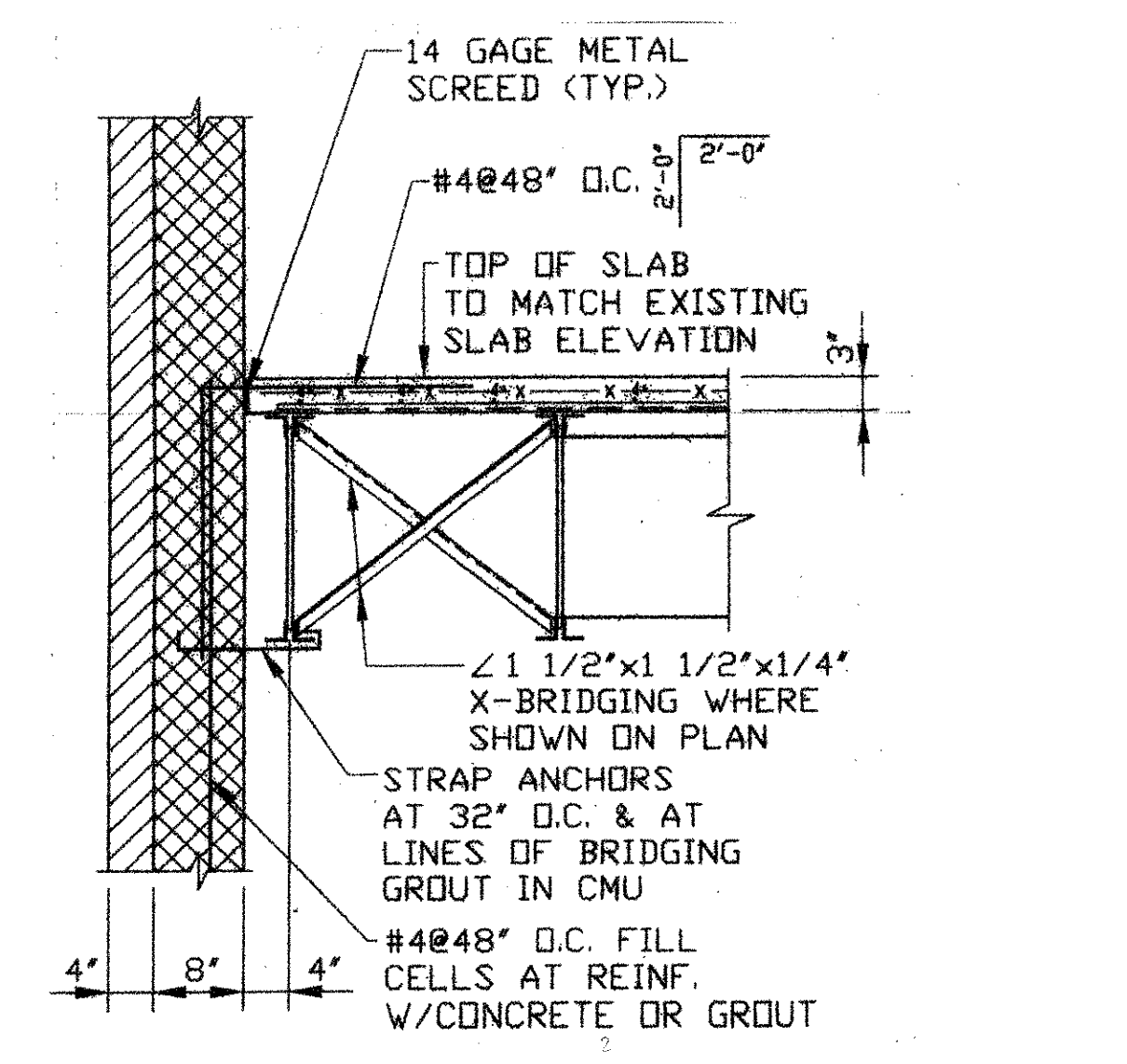
DETAIL 1
SCALE: 3/4" = 1' - 0"



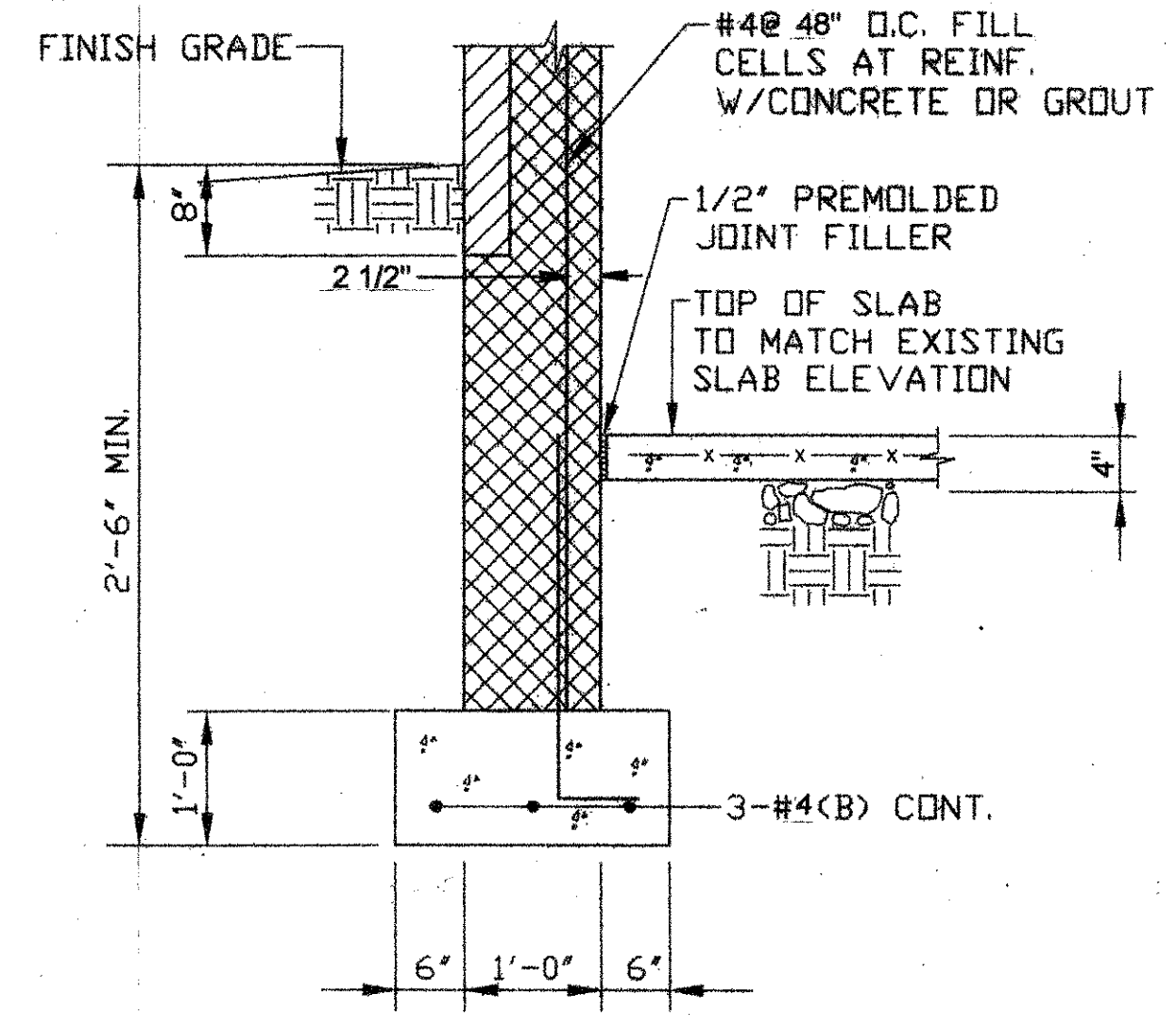
DETAIL 4
SCALE: 3/4" = 1' - 0"



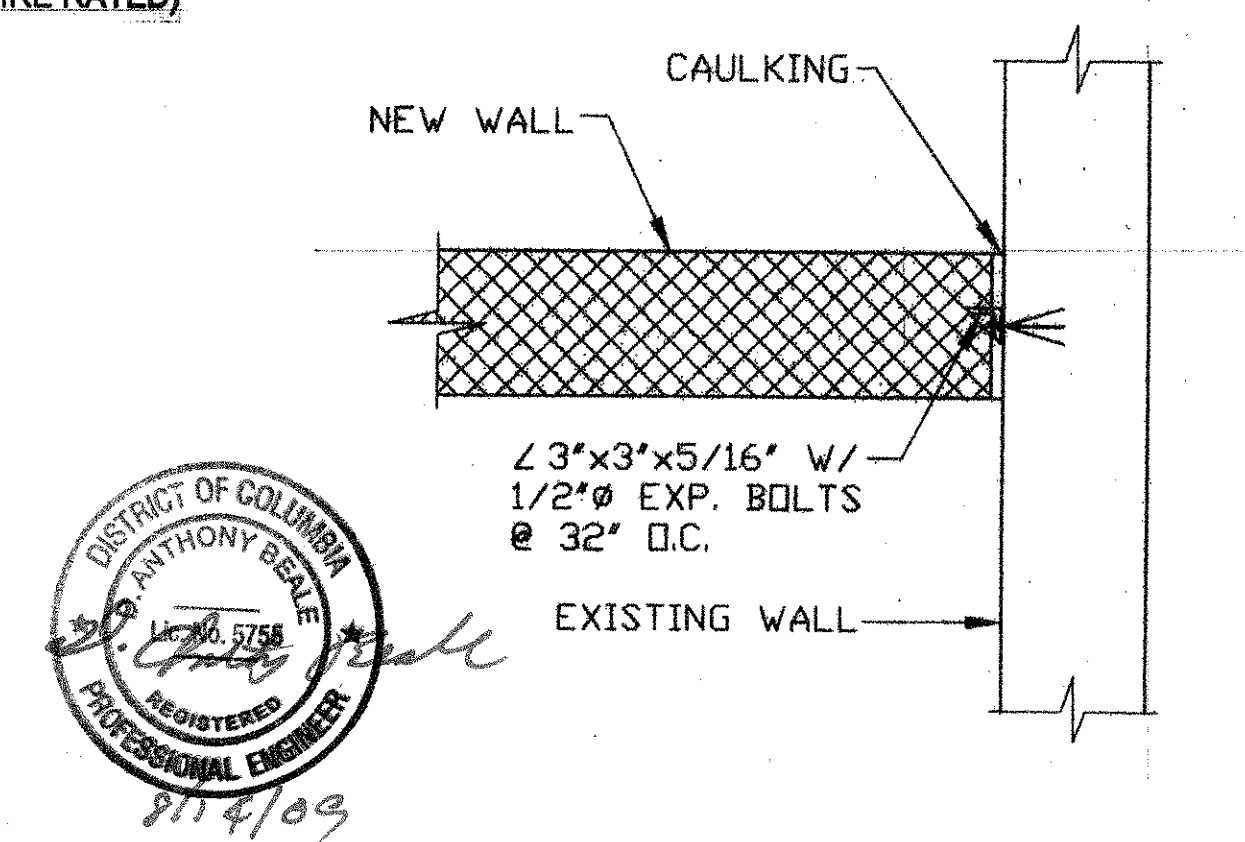
TYPICAL DETAIL C
SCALE: 3/4" = 1' - 0"



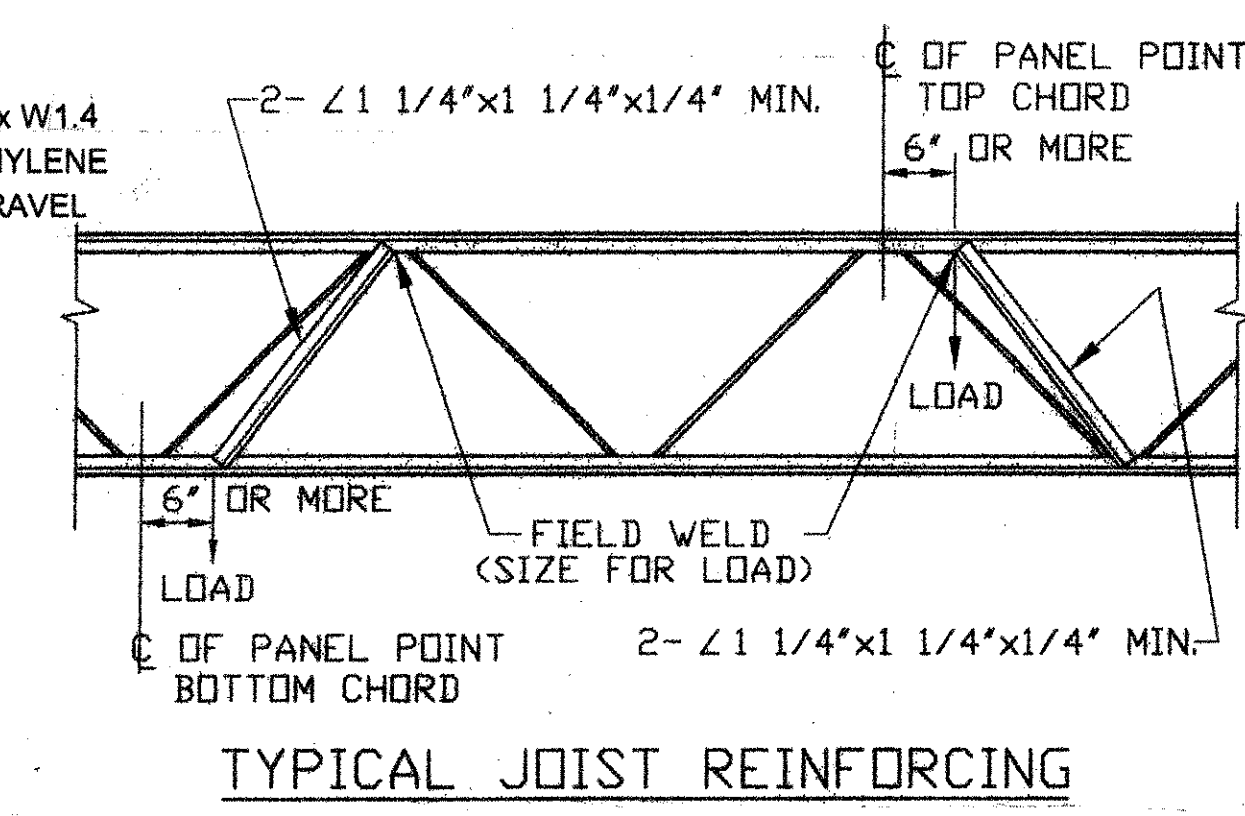
DETAIL 2
SCALE: 3/4" = 1' - 0"



DETAIL 3
SCALE: 3/4" = 1' - 0"



TYPICAL BOND ANGLE DETAIL
SCALE: 3/4" = 1' - 0"



TYPICAL JOIST REINFORCING

ISSUE DATE:	
REVISIONS:	
DATE:	

--	--

ST. MARY BAPTIST CHURCH
808 EASTERN AVENUE, NW
WASHINGTON, DC 20012

ELEVATOR AND RESTROOM ADDITIONS

DRAWN BY: *BY*
APPROVED BY: *[Signature]*
SCALE: *1/4" = 1' - 0"*
PROJECT NO. *8114109*

WARDEN & ASSOCIATES, INC.
CHURCH EXPANSION SPECIALIST
8716 OLD ALEXANDRIA FERRY RD. CLINTON, MD. 20735

DRAWING NO. **AS - 2**