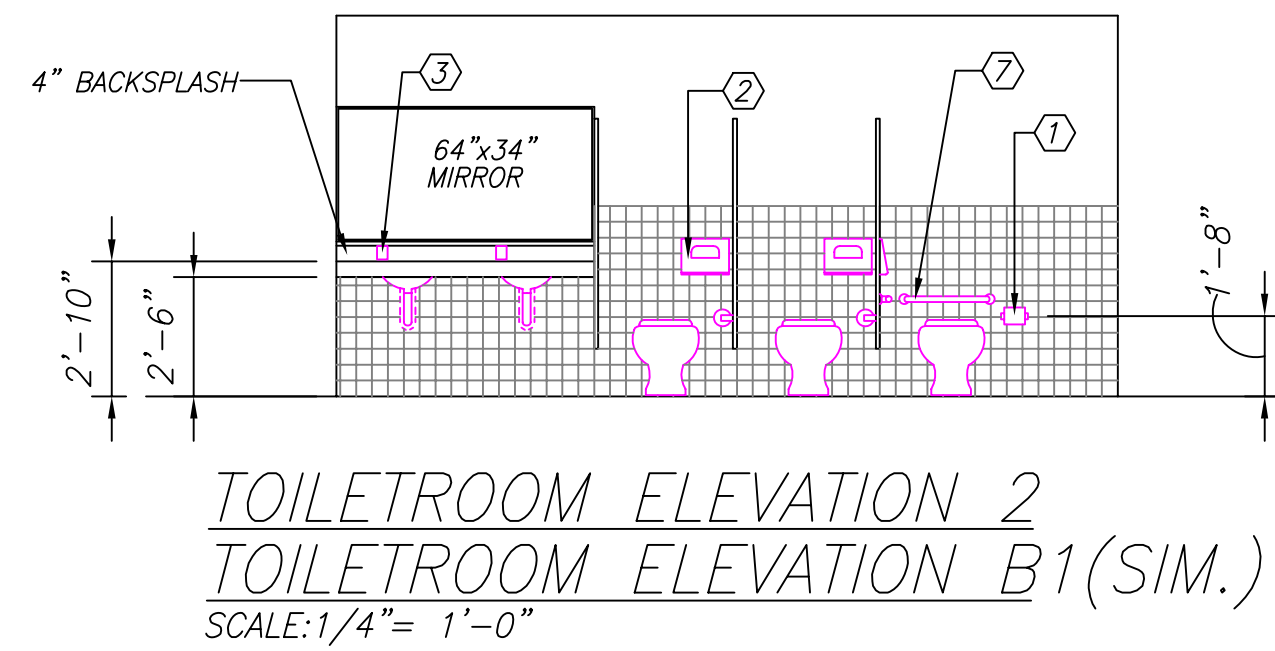
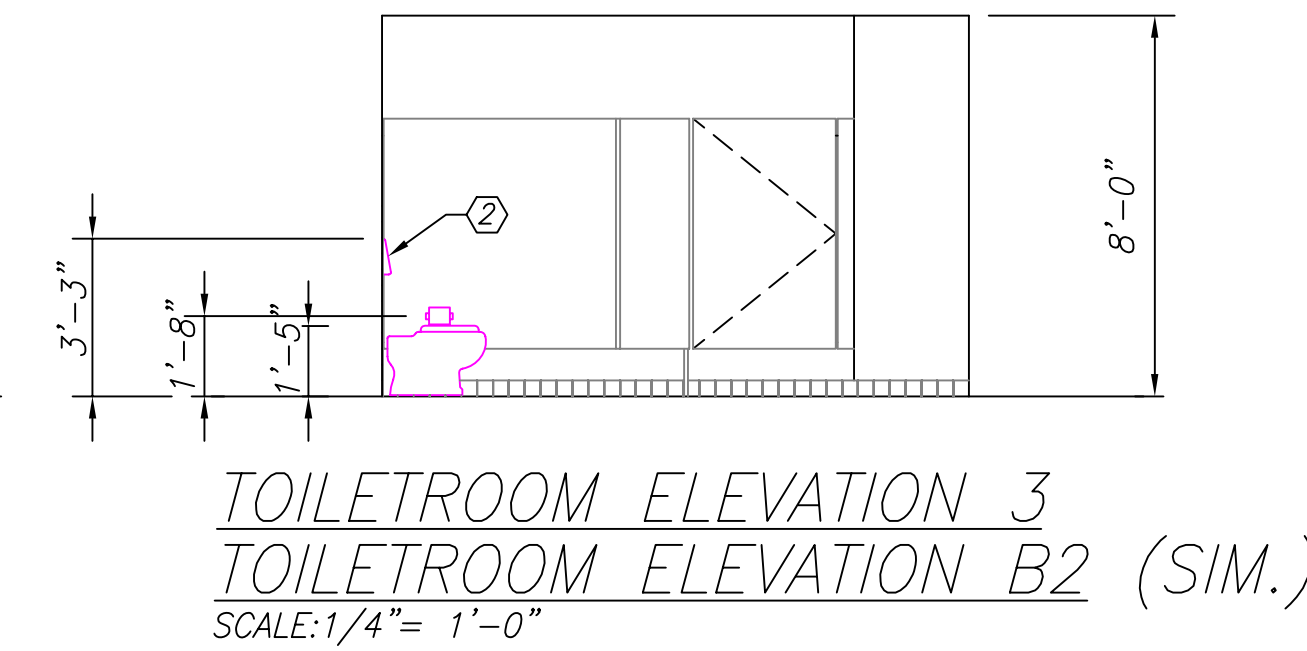


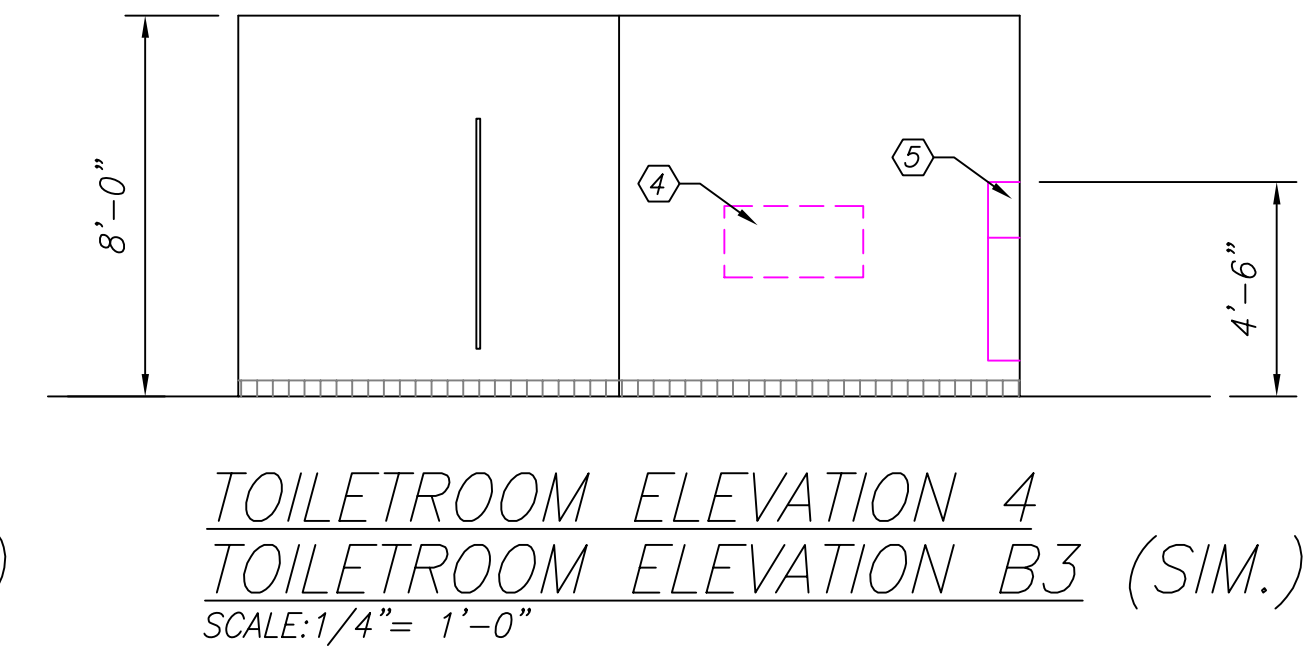
TOILETROOM ELEVATION 1  
TOILETROOM ELEVATION B4 (SIM.)  
SCALE: 1/4" = 1'-0"



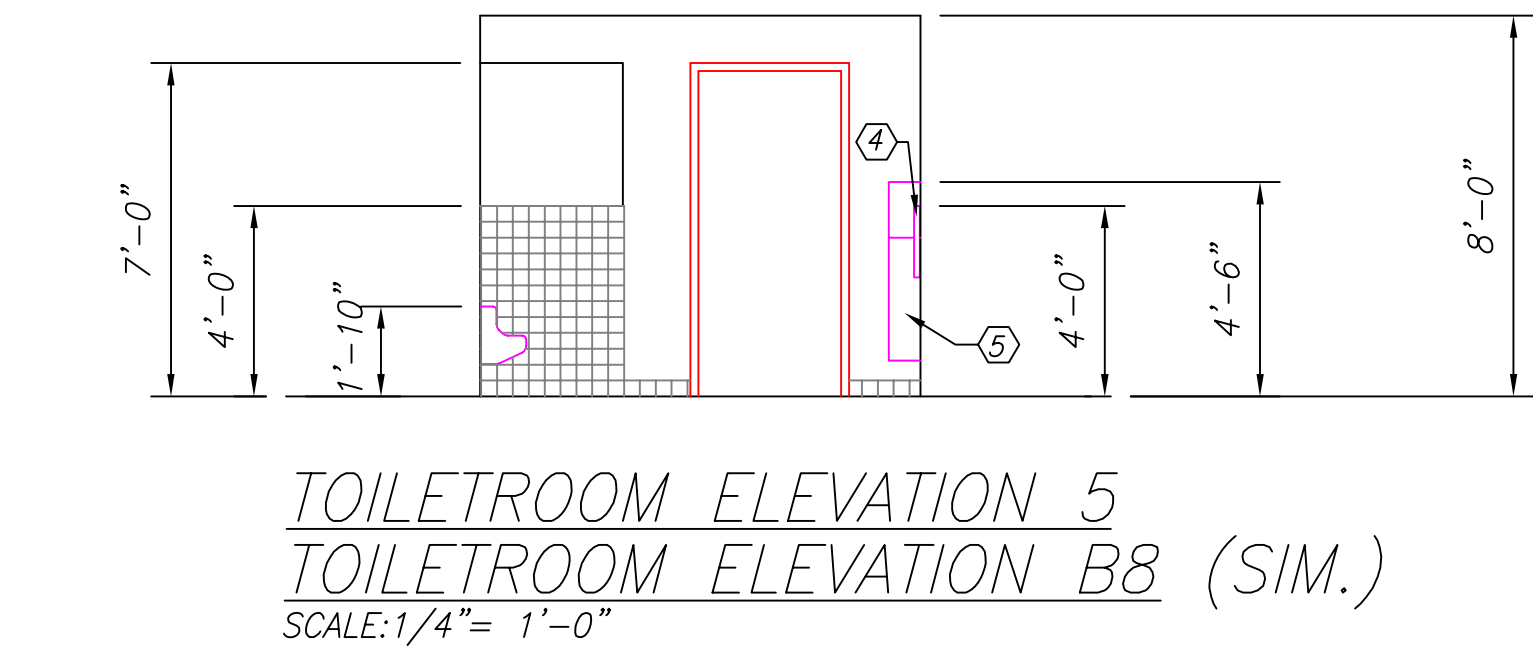
TOILETROOM ELEVATION 2  
TOILETROOM ELEVATION B1 (SIM.)  
SCALE: 1/4" = 1'-0"



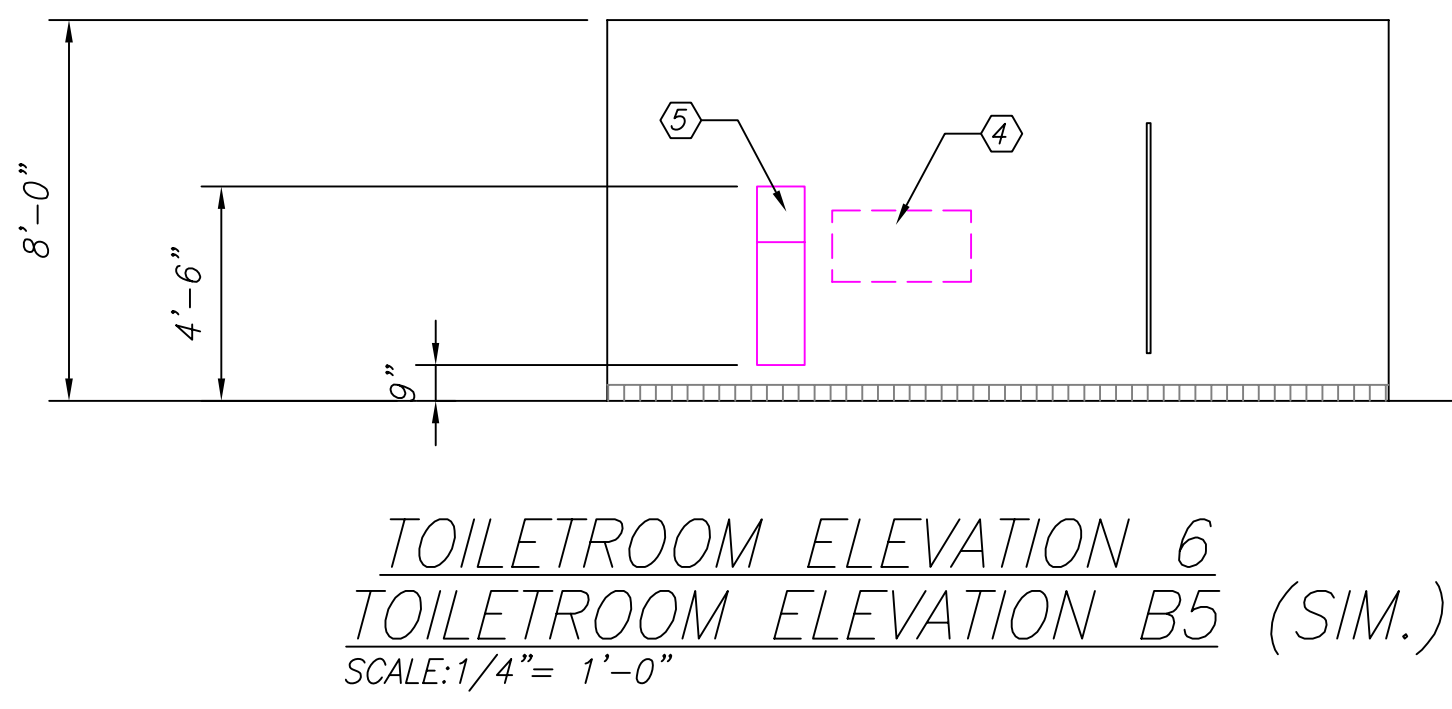
TOILETROOM ELEVATION 3  
TOILETROOM ELEVATION B2 (SIM.)  
SCALE: 1/4" = 1'-0"



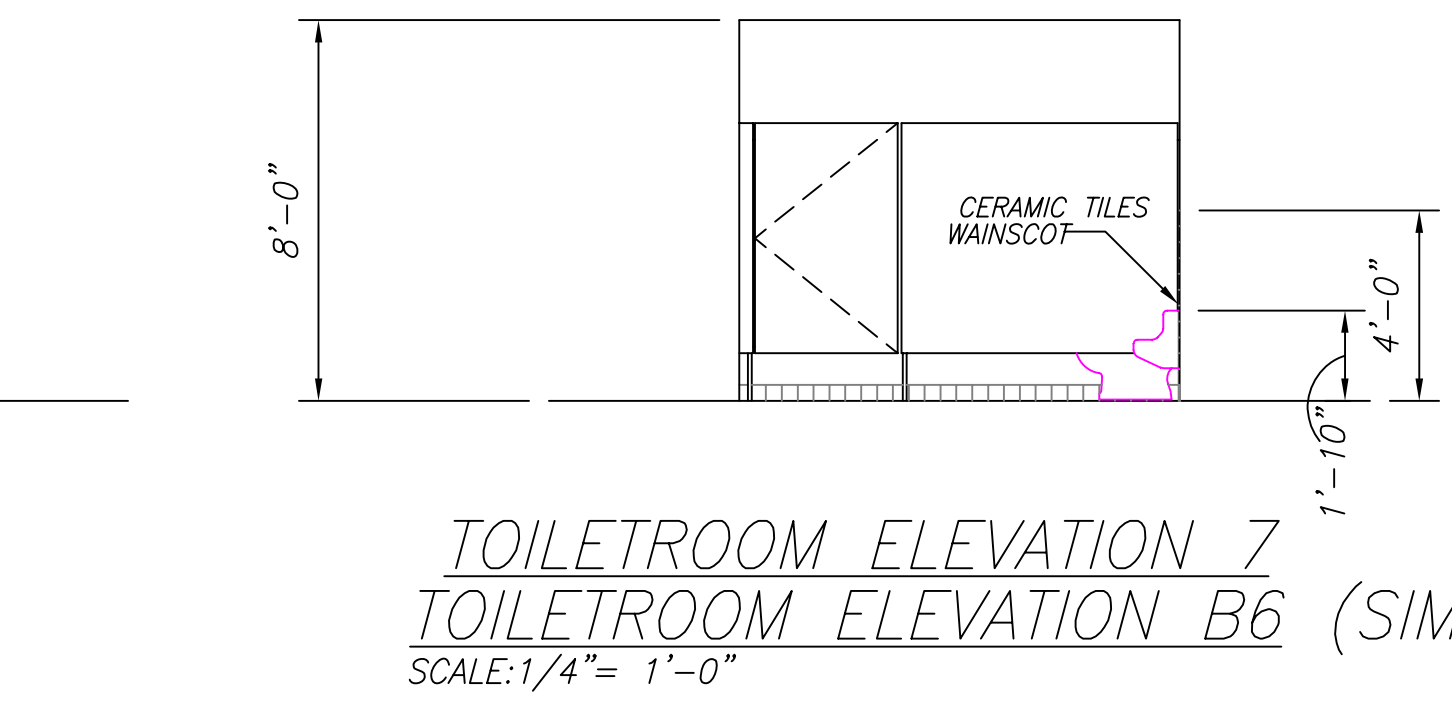
TOILETROOM ELEVATION 4  
TOILETROOM ELEVATION B3 (SIM.)  
SCALE: 1/4" = 1'-0"



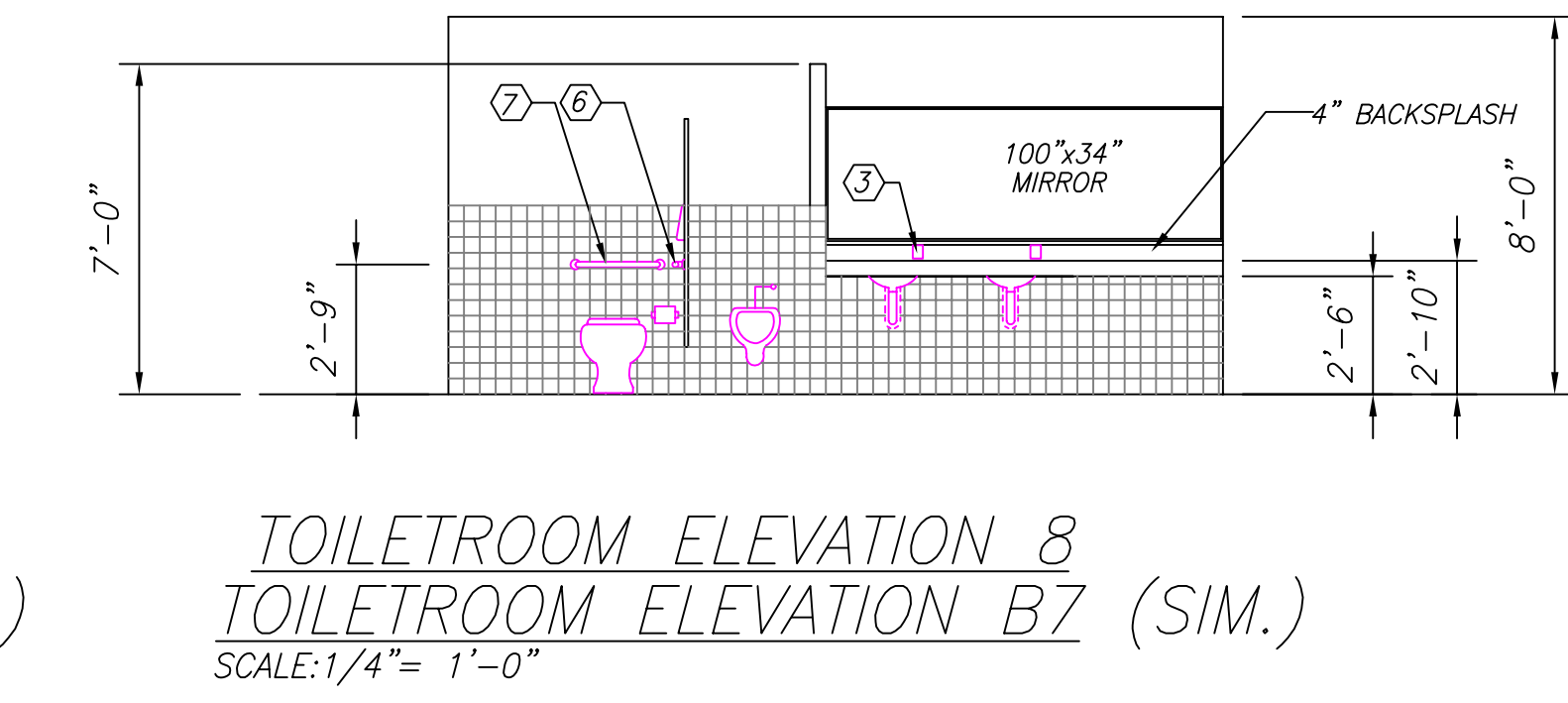
TOILETROOM ELEVATION 5  
TOILETROOM ELEVATION B8 (SIM.)  
SCALE: 1/4" = 1'-0"



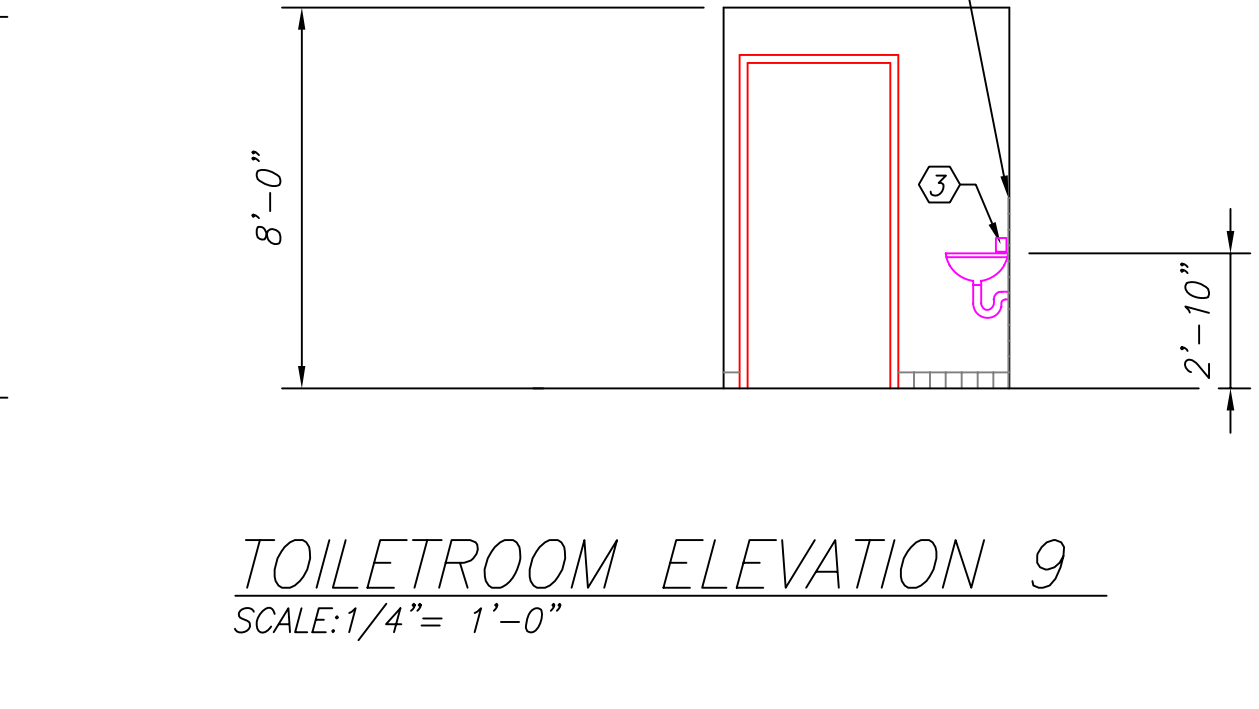
TOILETROOM ELEVATION 6  
TOILETROOM ELEVATION B5 (SIM.)  
SCALE: 1/4" = 1'-0"



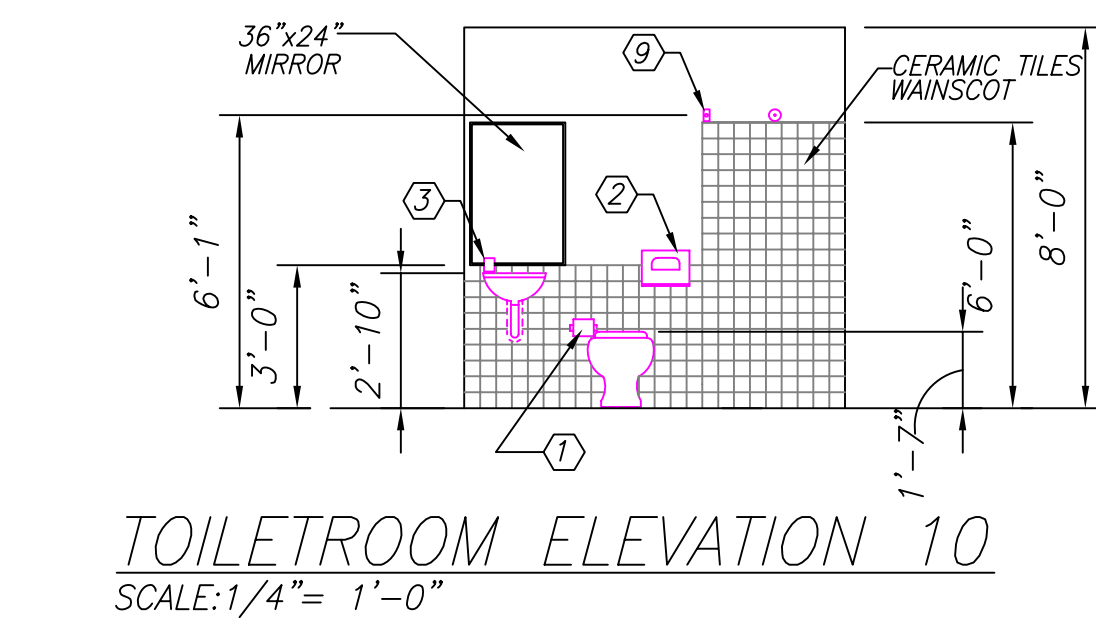
TOILETROOM ELEVATION 7  
TOILETROOM ELEVATION B6 (SIM.)  
SCALE: 1/4" = 1'-0"



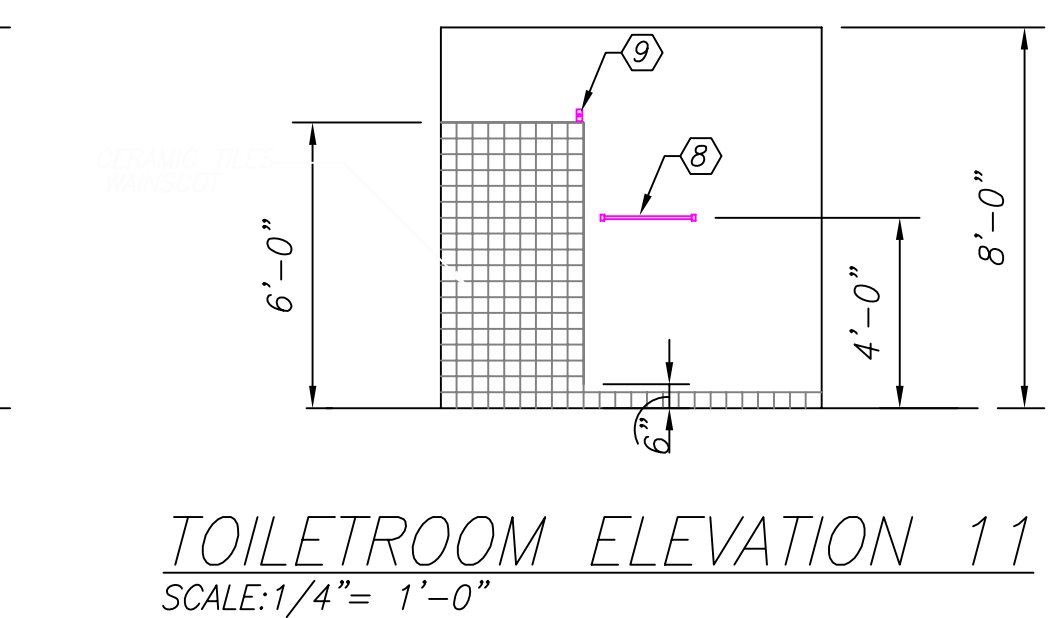
TOILETROOM ELEVATION 8  
TOILETROOM ELEVATION B7 (SIM.)  
SCALE: 1/4" = 1'-0"



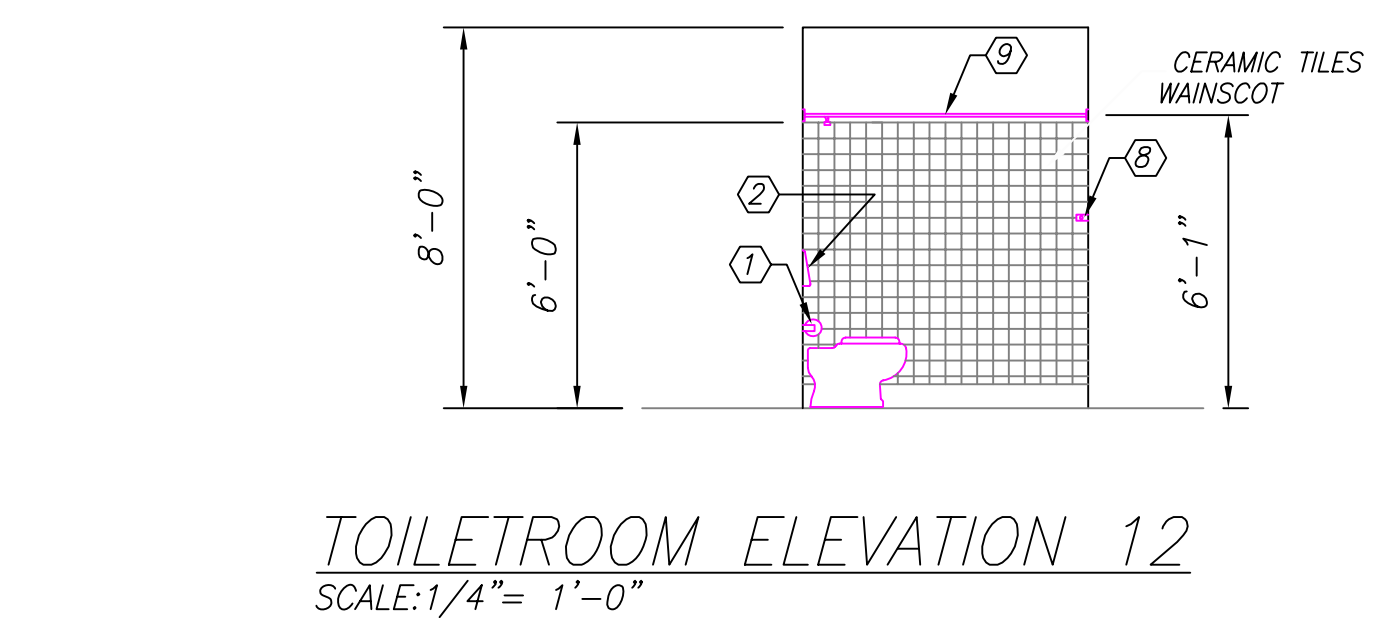
TOILETROOM ELEVATION 9  
SCALE: 1/4" = 1'-0"



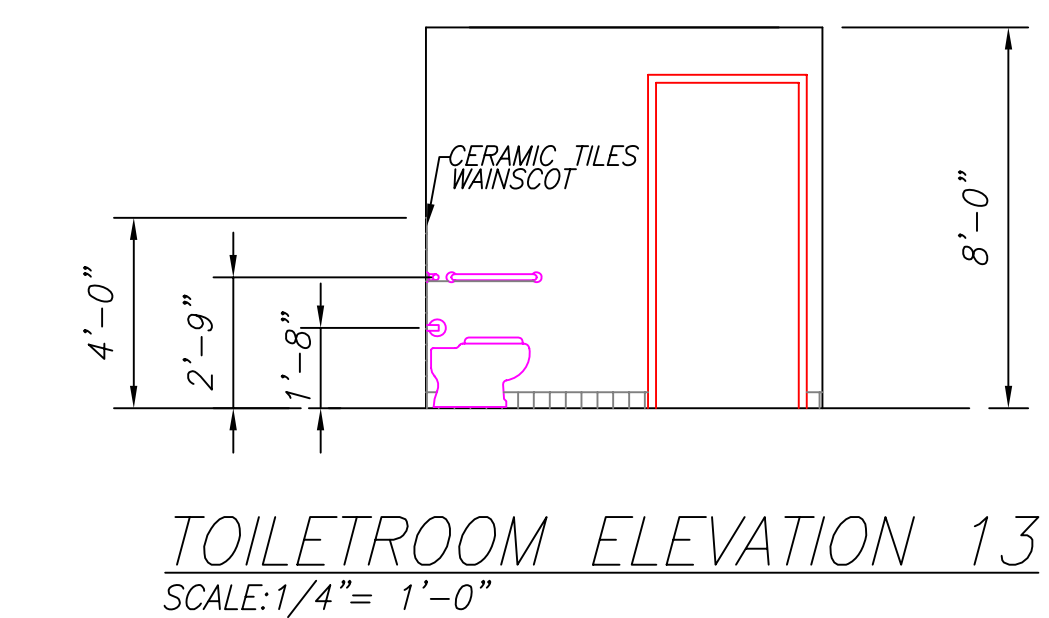
TOILETROOM ELEVATION 10  
SCALE: 1/4" = 1'-0"



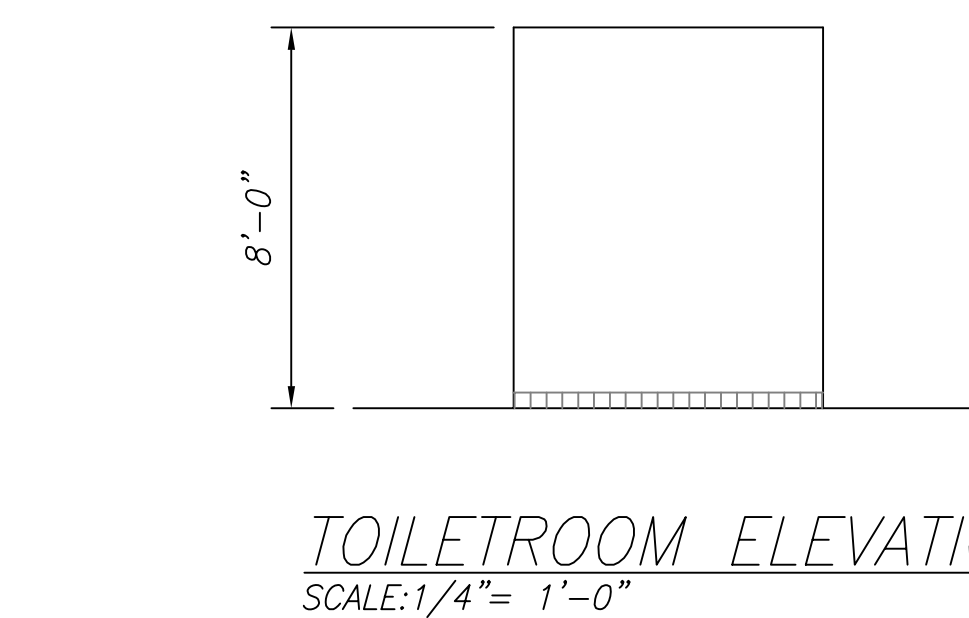
TOILETROOM ELEVATION 11  
SCALE: 1/4" = 1'-0"



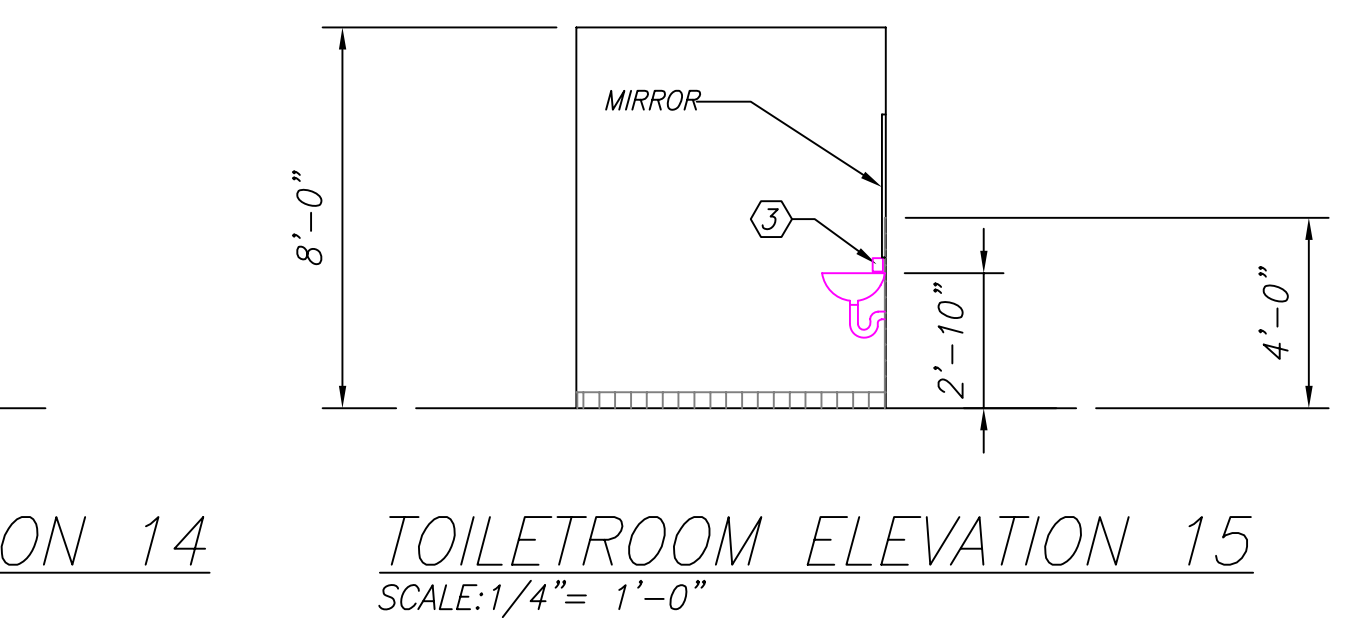
TOILETROOM ELEVATION 12  
SCALE: 1/4" = 1'-0"



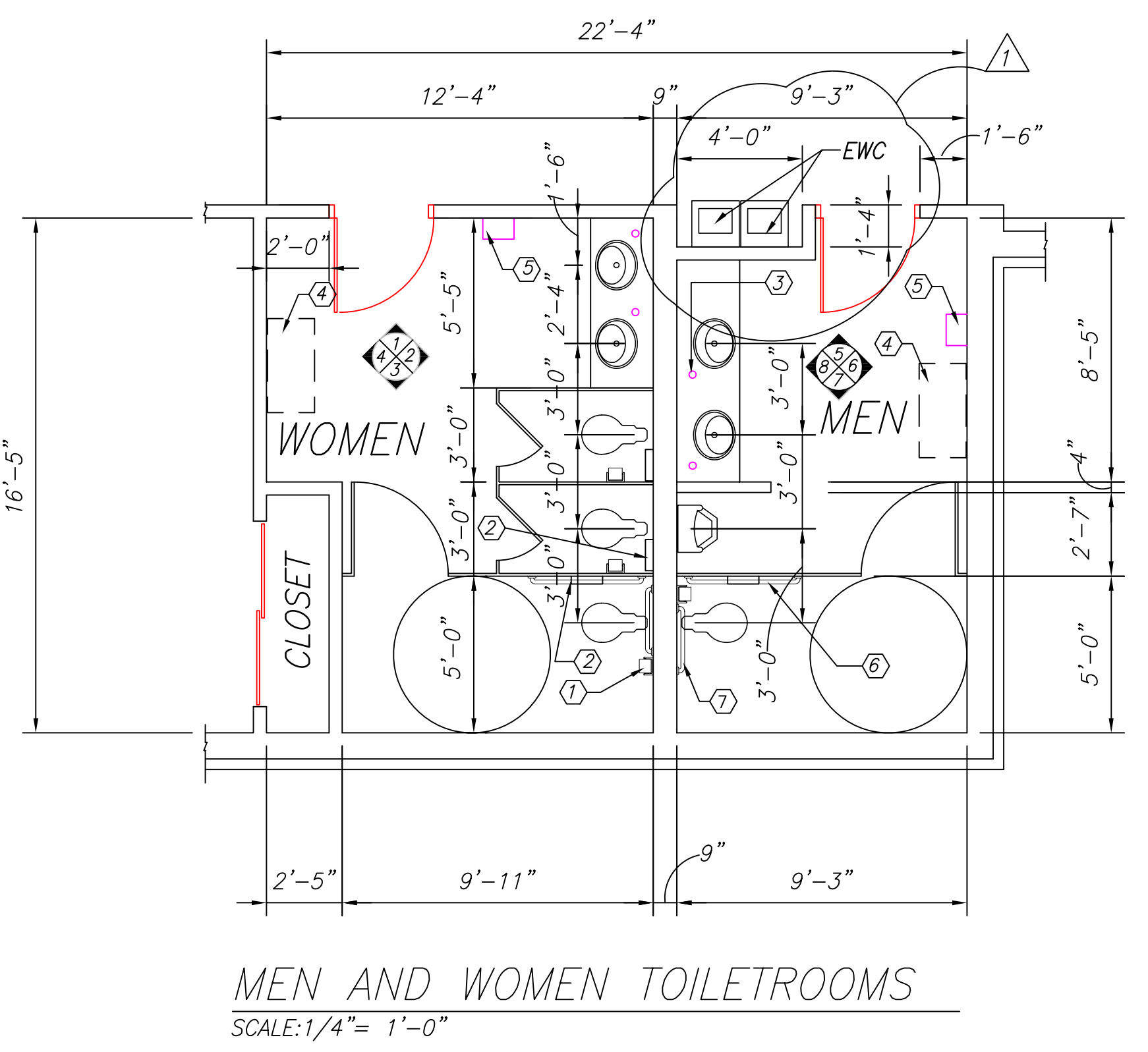
TOILETROOM ELEVATION 13  
SCALE: 1/4" = 1'-0"



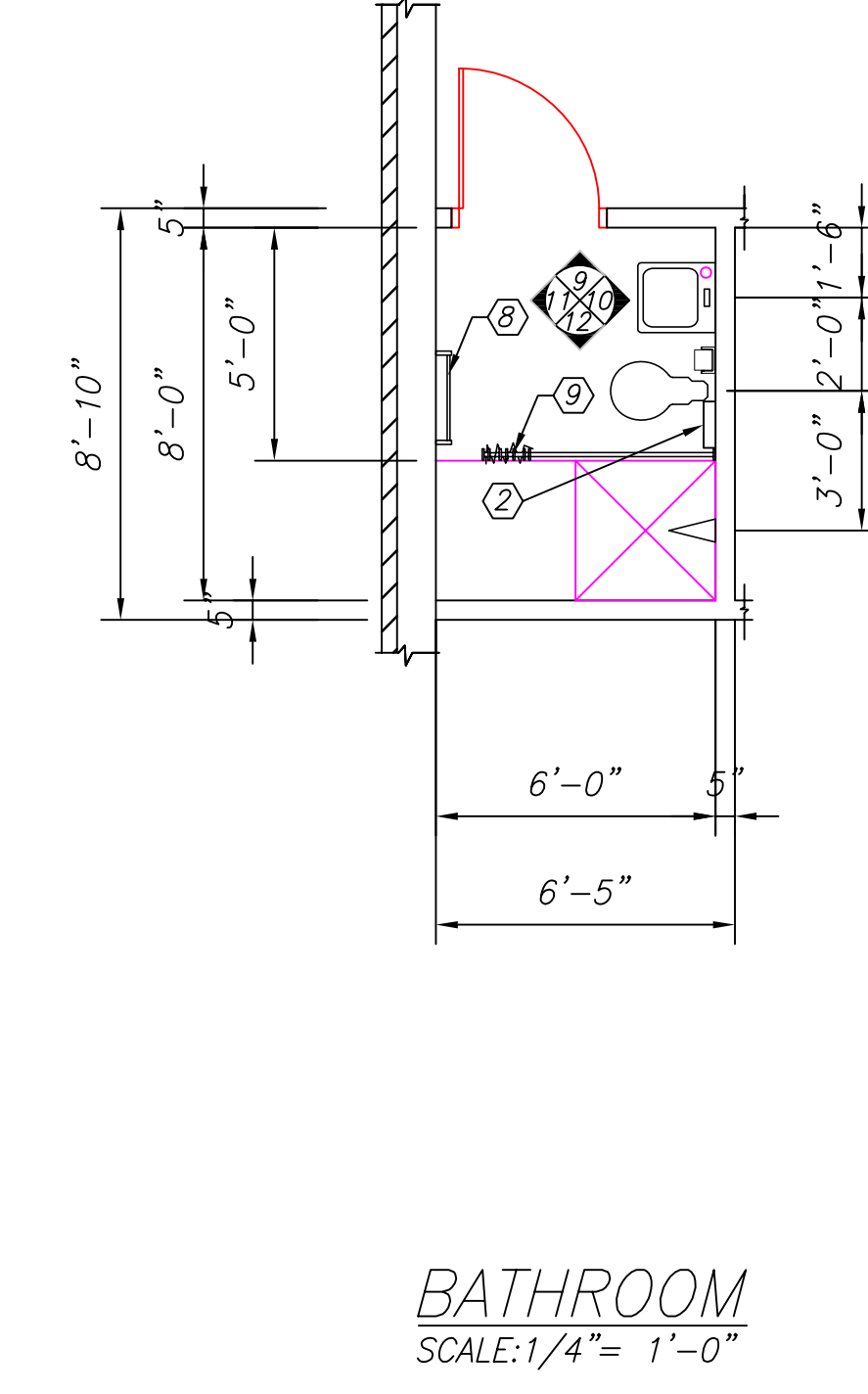
TOILETROOM ELEVATION 14  
SCALE: 1/4" = 1'-0"



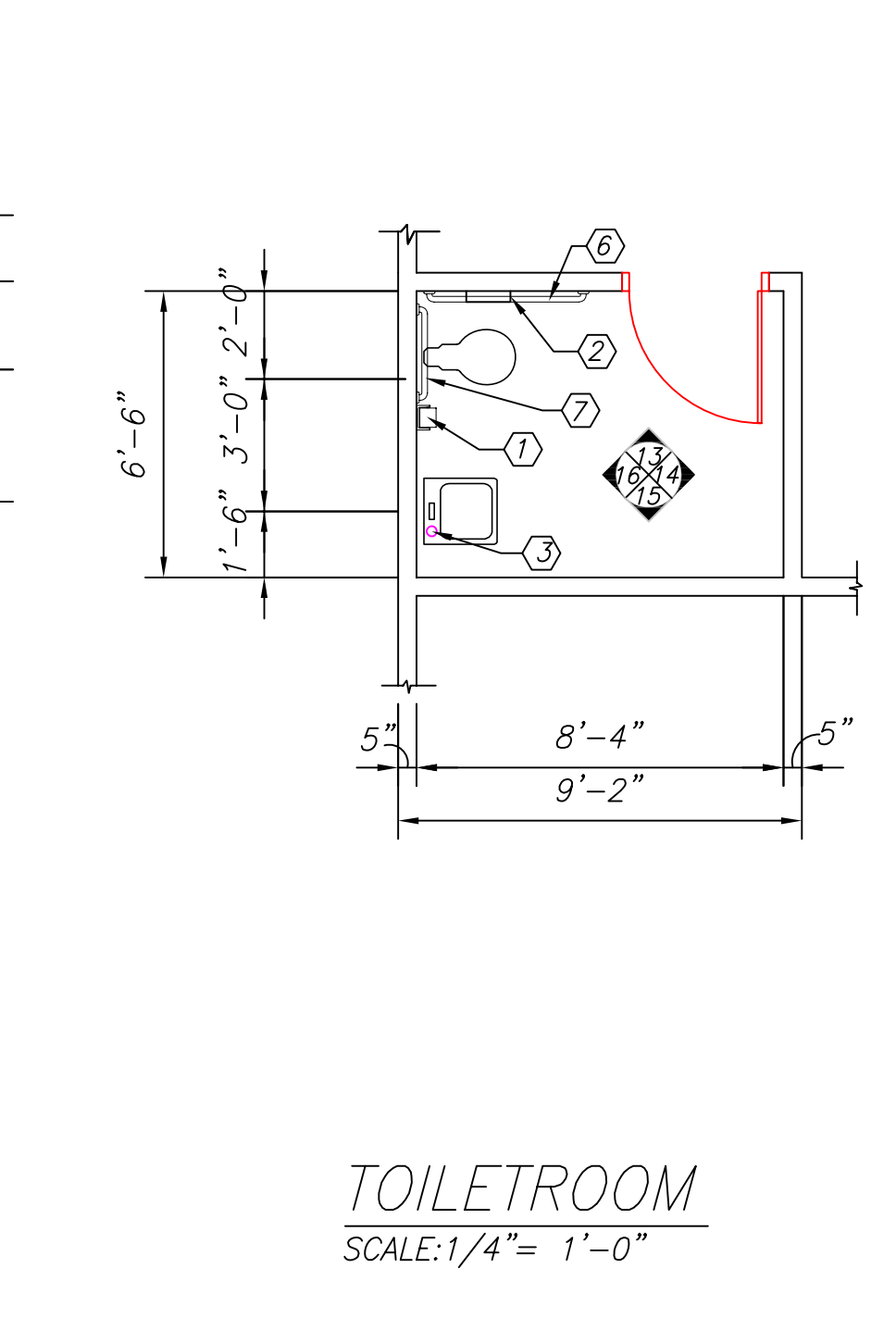
TOILETROOM ELEVATION 15  
SCALE: 1/4" = 1'-0"



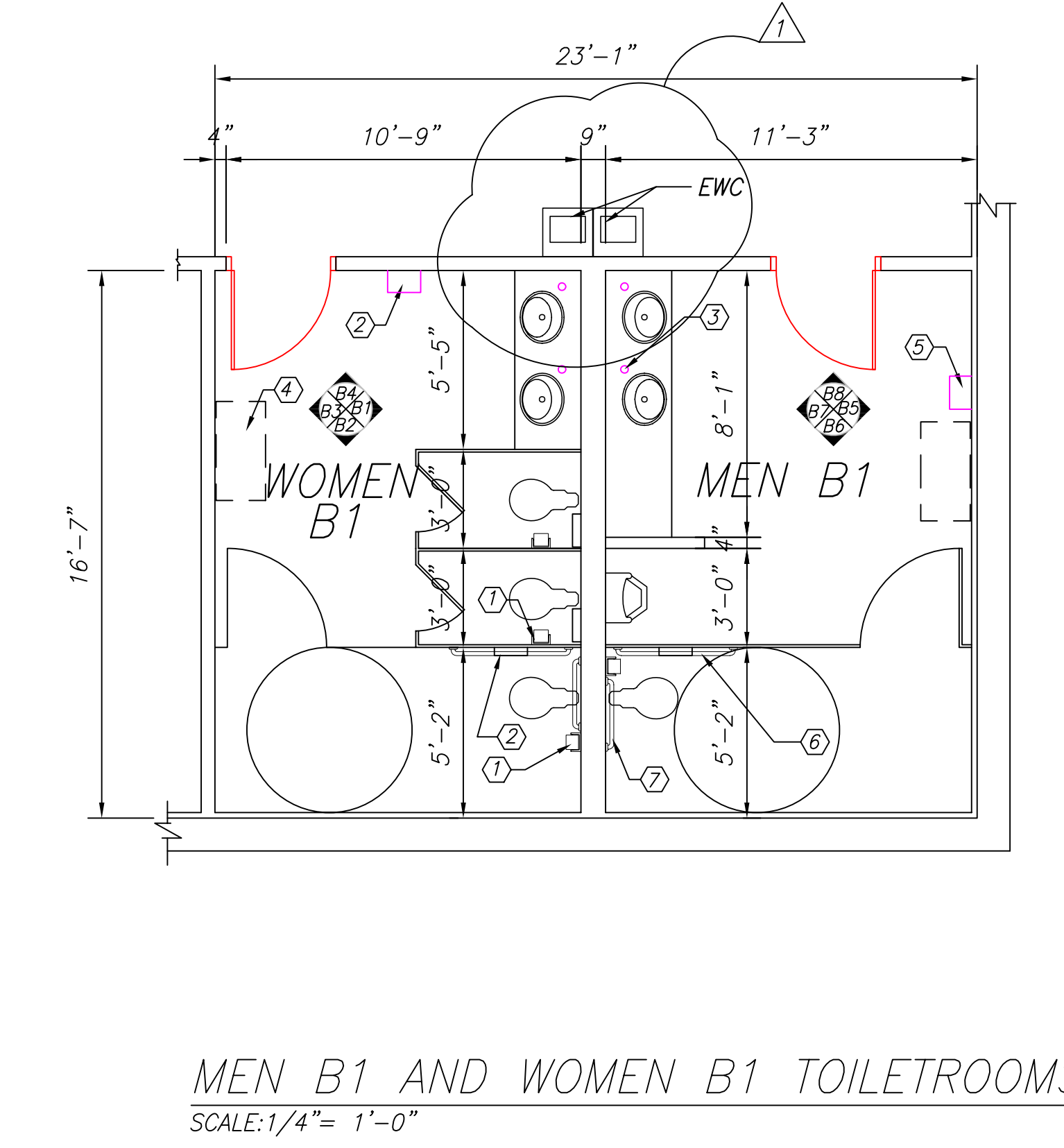
MEN AND WOMEN TOILETROOMS  
SCALE: 1/4" = 1'-0"



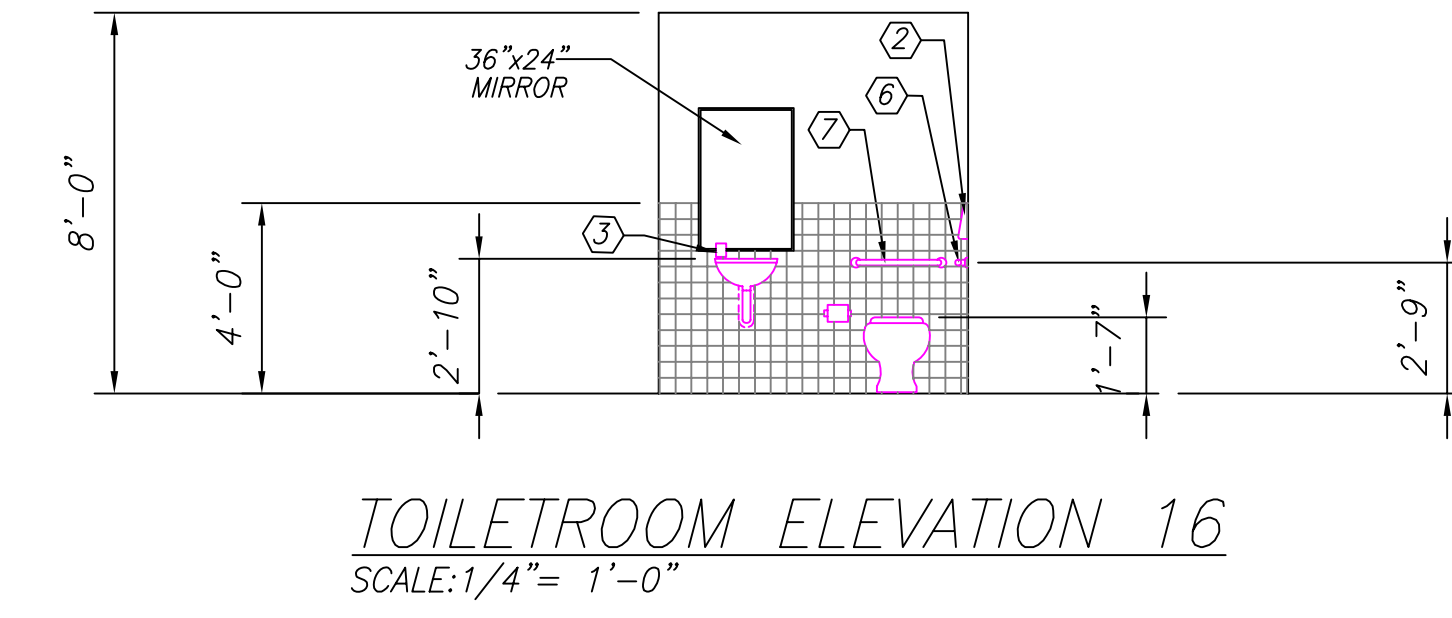
BATHROOM  
SCALE: 1/4" = 1'-0"



TOILETROOM  
SCALE: 1/4" = 1'-0"



MEN B1 AND WOMEN B1 TOILETROOMS  
SCALE: 1/4" = 1'-0"



TOILETROOM ELEVATION 16  
SCALE: 1/4" = 1'-0"

TOILETROOM ACCESSORIES	
1.	TOILET PAPER DISPENSER - BRADLEY MODEL No. 505
2.	TOILET SEAT COVER DISPENSER - BRADLEY MODEL No. 5847
3.	SOAP DISPENSER - BRADLEY MODEL No. 6562
4.	RETRACTABLE INFANT CHANGING TABLE
5.	PAPER TOWEL DISPENSER AND RECEPTACLE BRADLEY MODEL No. 234
6.	42" GRAB BAR - BRADLEY MODEL No. 001
7.	36" GRAB BAR - BRADLEY MODEL No. 001
8.	TOWEL BAR - AMERICAN SPECIALTIES MODEL No. 7355
9.	SHOWER CURTAIN BAR -

NOTES: 1. MANUFACTURER SELECTED FOR DESIGN STYLE ONLY.  
2. WALLS WITHOUT TILE FINISH SHALL BE GYP. BD PAINTED.

Copyright 2004 Philip Aaron Lacy, Architect. All rights reserved. No portion of this document may be reproduced without written permission.

Date:	01-13-09
Revisions:	BIDDING CLARIFICATIONS

Consultants:  
WARDER & ASSOCIATES INC.  
CHURCH EXPANSION SPECIALIST  
8016 OLD ALEXANDRIA FERRY ROAD  
CLINTON, MARYLAND 20735  
PHONE: 301-866-5900

Certification:

Project Title:  
BETH SHALOM A.M.E. ZION CHURCH  
2501 RICHIE ROAD  
DISTRICT HEIGHTS, MARYLAND 20735  
TOILETROOM PLANS AND ELEVATIONS

Philip Aaron Lacy, Architects  
6188 Oxon Hill Road, Suite 303  
Oxon Hill, Maryland 20745  
Phone: 301-567-8223

Date: DEC. 1, 2005  
Scale: 1/4" = 1'-0"  
Drawn: FCB  
Checked: PAL  
File No. BETH\_A08

Drawing No.  
A-8  
of