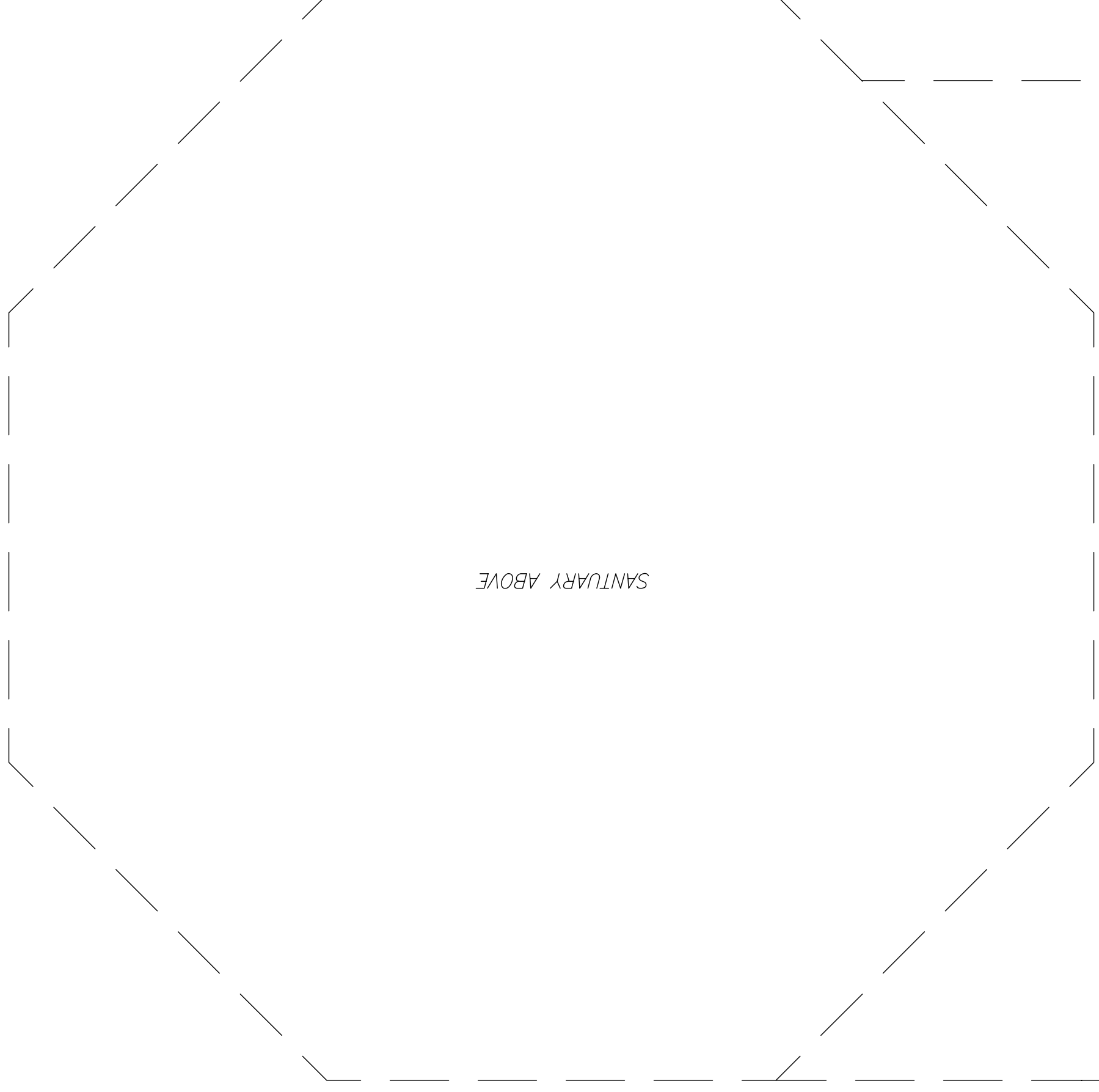
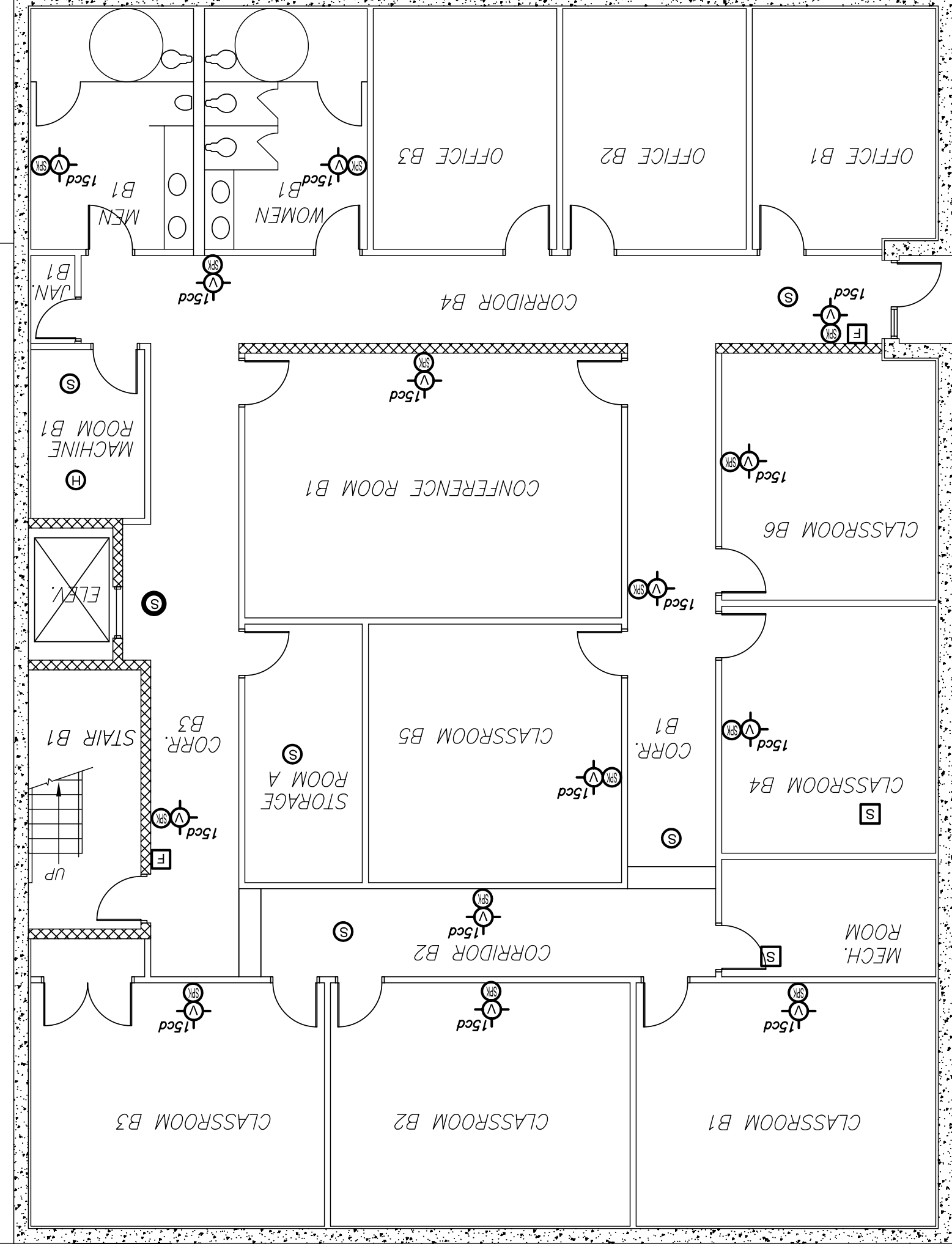


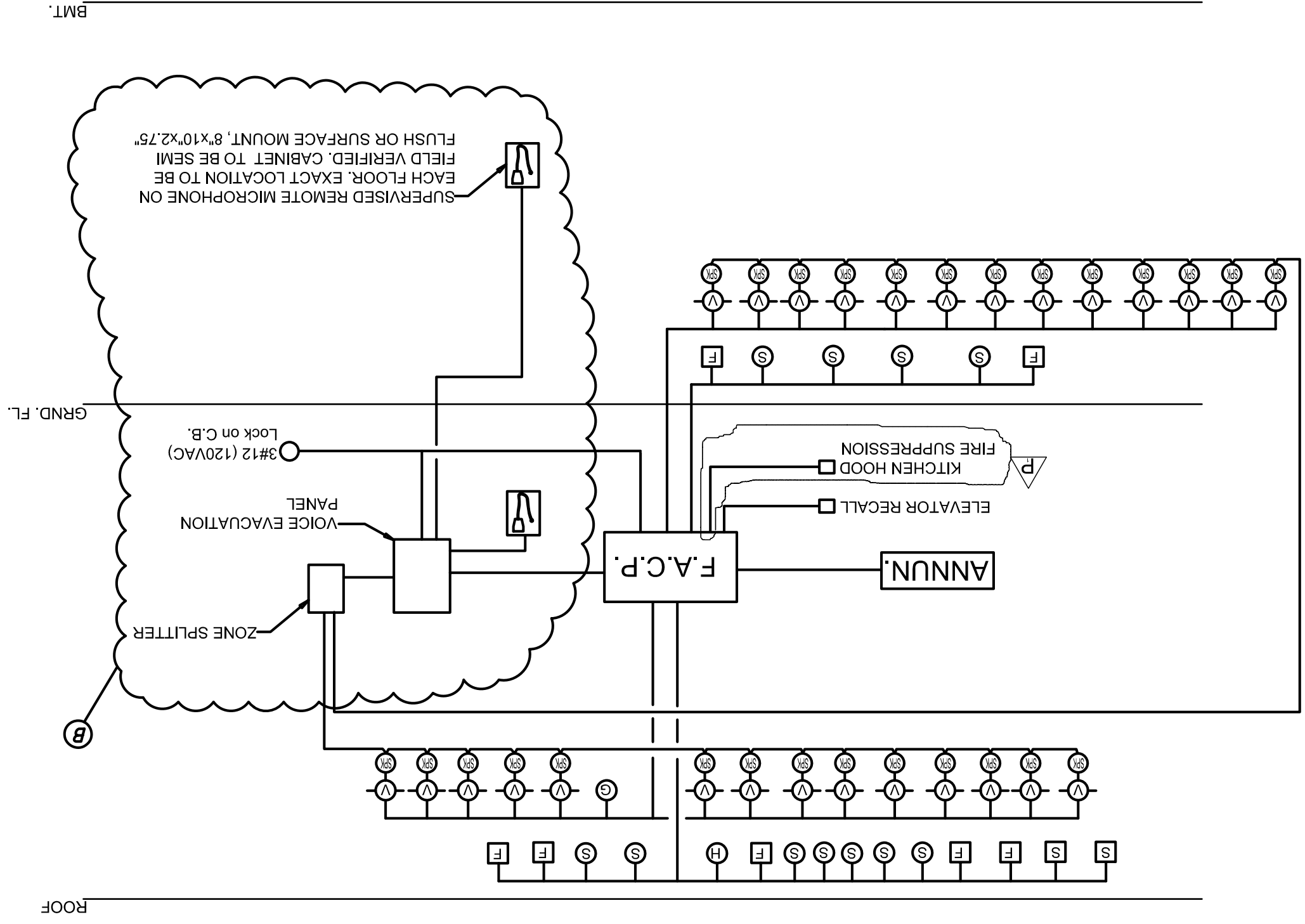
BASEMENT FLOOR PLAN - FIRE ALARM

SCALE: 1/8"=1'-0"

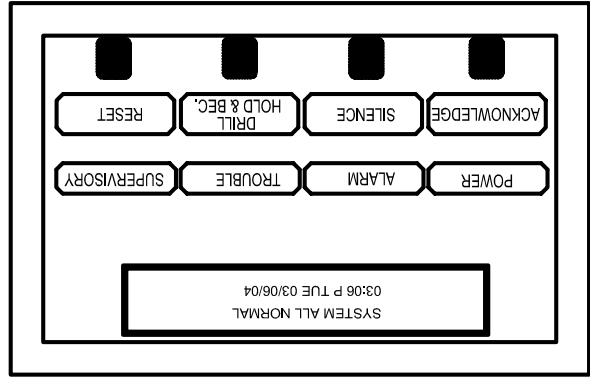


- SYMBOL LEGEND**
- ⊙ - FIRE ALARM GONG - 80" A.F.F.
  - ⊙ - ELEVATOR RECALL SMOKE DETECTOR
  - ⊙ - MANUAL PULL STATION - 48" A.F.F.
  - ⊙ - DUCT SMOKE DETECTOR (HVAC DUCT MTD.)
  - ⊙ - SMOKE DETECTOR (CEILING MTD.)
  - ⊙ - HEAT DETECTOR (CEILING MTD.)
  - ⊙ - VISUAL STROBE-80" A.F.F.
  - ⊙ - SPEAKERS/STROBE-80" A.F.F.
  - ⊙ - FIRE ALARM ANNUNCIATOR
  - ⊙ - F.A.C.P. - FIRE ALARM CONTROL PANEL

**FIRE ALARM RISER DIAGRAM**  
N.T.S.



**LIQUID CRYSTAL DISPLAY FIRE ANNUNCIATOR**  
N.T.S.



Drawing No. <b>F-1</b>										
Date: <b>NOV. 29, 2005</b>										
Scale: <b>1/8"=1'-0"</b>										
Drawn: <b>PAL</b>										
Checked: <b>C.FORD</b>										
File No. <b>BETH_A01</b>										
Philip Aaron Lacy, Architect 4013 21st. Place Temple Hills, Maryland 20748 Phone: 301-894-7979										
Project Title: <b>BETH SHALOM A.M.E. ZION CHURCH</b> 2501 RITCHIE ROAD DISTRICT HEIGHTS, MARYLAND 20735										
Certification:										
Engineers:	<b>CHARLES FORD &amp; ASSOCIATES</b> CONSULTING - ENGINEERS & PLANNERS 4425 GREENBAY AVE. N.W. WASH., D.C. (202) 722-4190									
Revisions:	<table border="1" style="width: 100%; border-collapse: collapse;"> <tr> <td style="width: 5%;">①</td> <td style="width: 75%;">PERMIT</td> <td style="width: 20%;">10-3-07</td> </tr> <tr> <td>②</td> <td>PERMIT</td> <td>07-8-08</td> </tr> <tr> <td>③</td> <td>PERMIT</td> <td>11/06/08</td> </tr> </table>	①	PERMIT	10-3-07	②	PERMIT	07-8-08	③	PERMIT	11/06/08
①	PERMIT	10-3-07								
②	PERMIT	07-8-08								
③	PERMIT	11/06/08								
Date:	10-3-07									