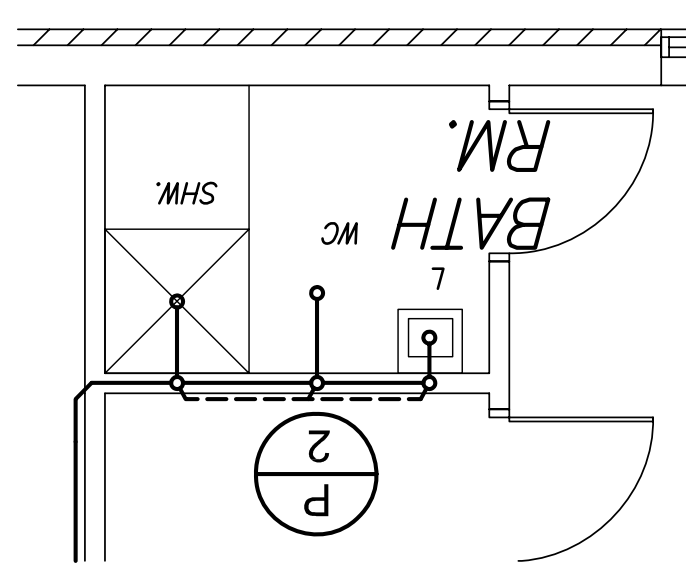
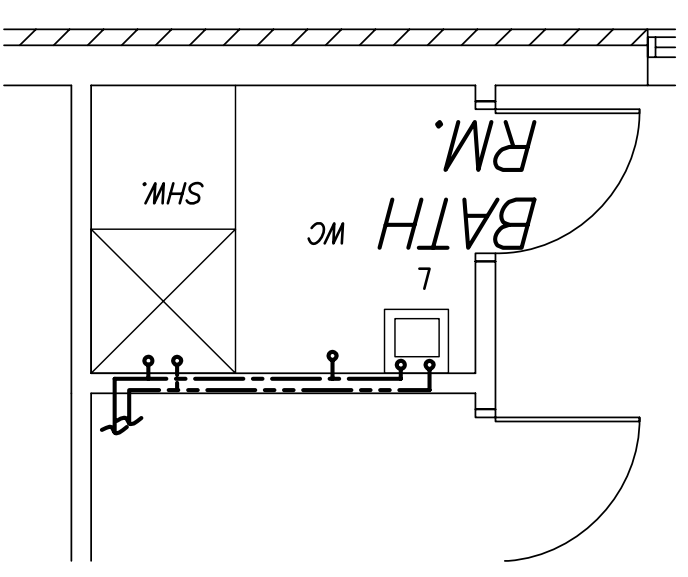


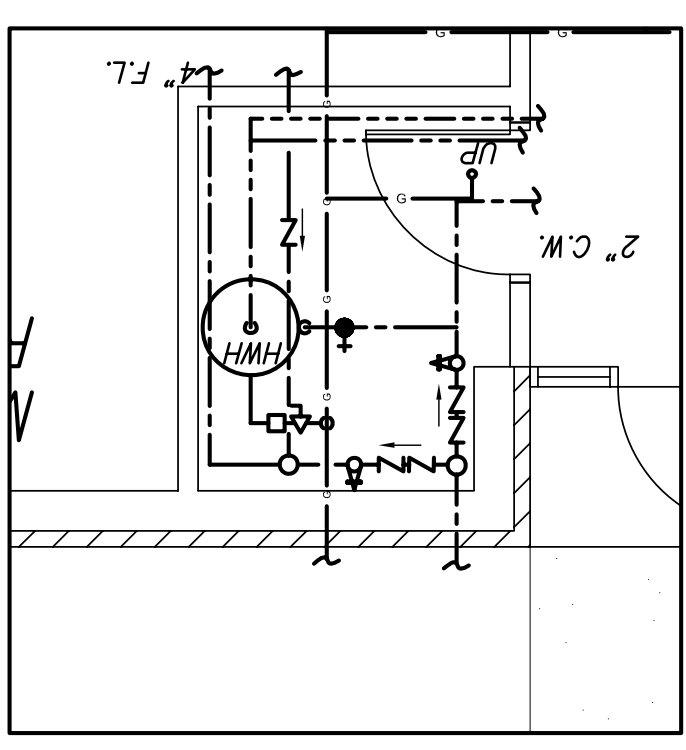
**P 2** PASTOR TOILET PLUMB. PLANS  
SCALE: 1/4"=1'-0"  
SANITARY



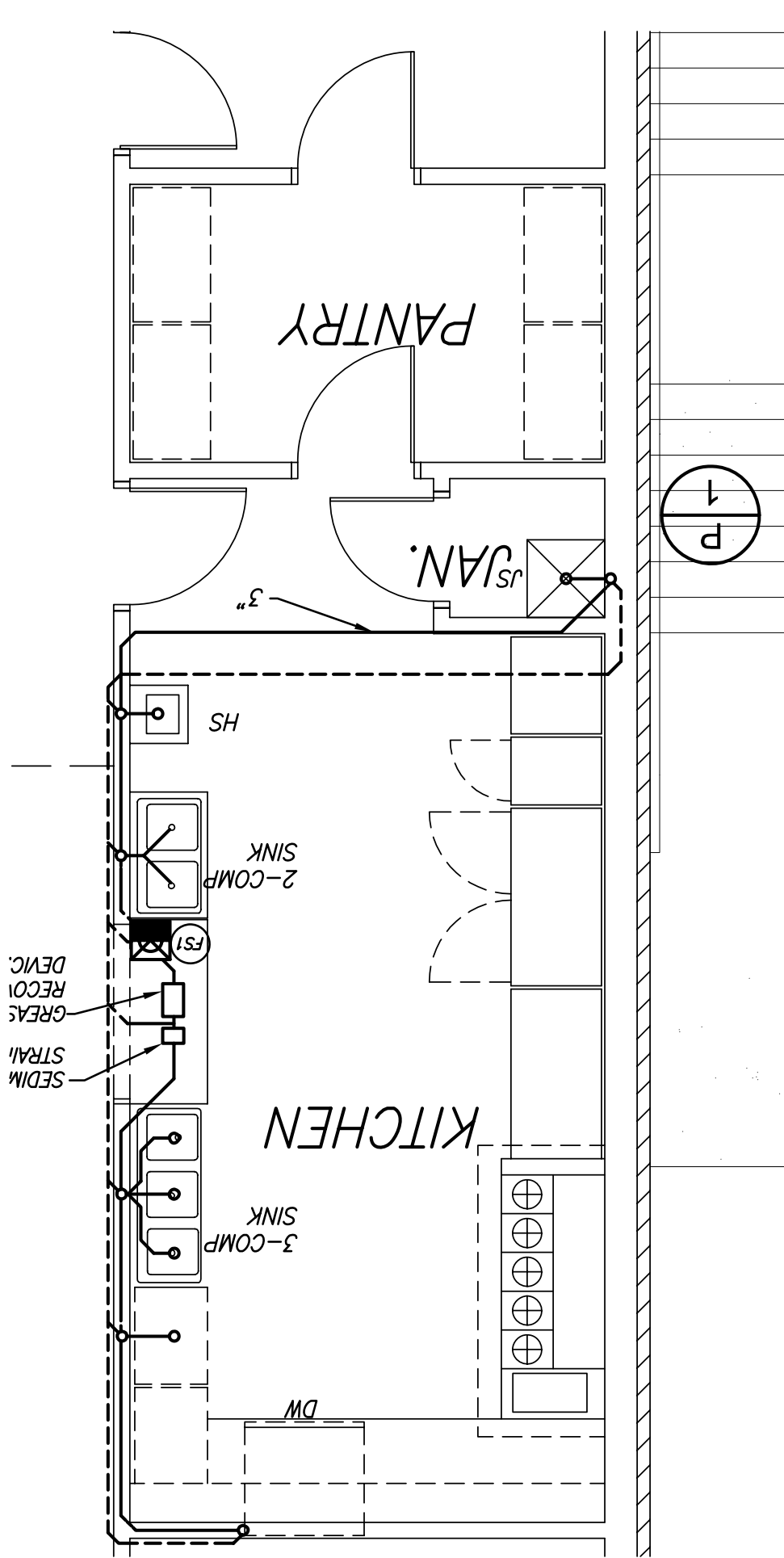
**P 2** PASTOR TOILET PLUMB. PLANS  
SCALE: 1/4"=1'-0"  
WATER



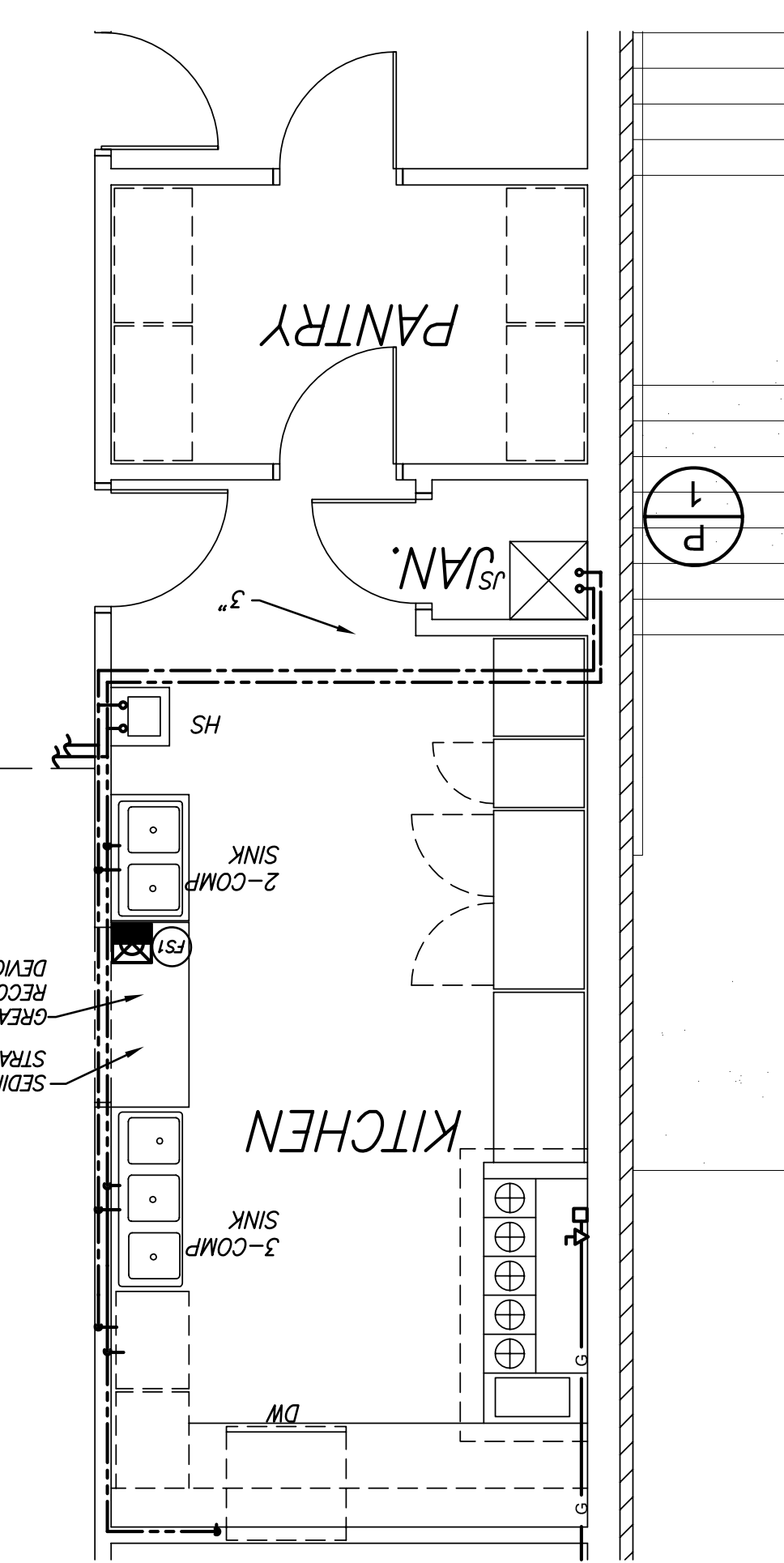
**P 5** MECHANICAL ROOM PLUMB. PLANS  
SCALE: 1/4"=1'-0"  
WATER & GAS



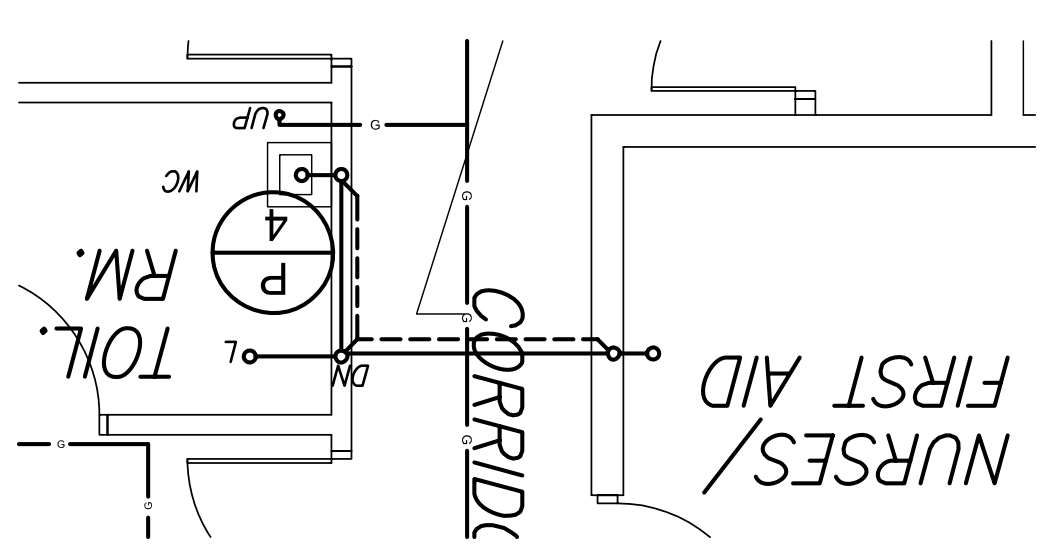
**P 1** KITCHEN PLUMB. PLANS  
SCALE: 1/4"=1'-0"  
SANITARY



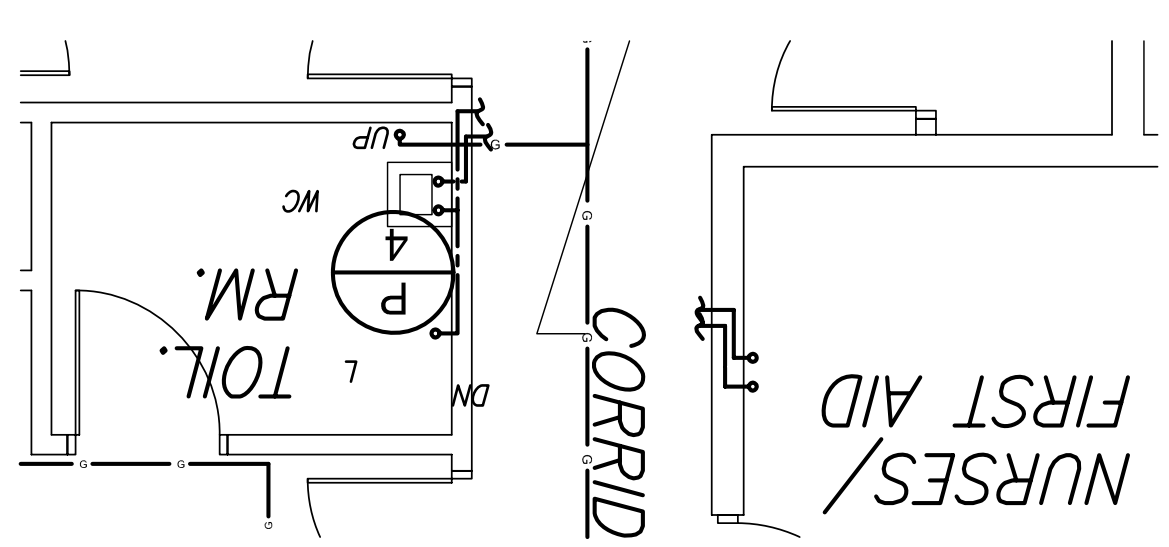
**P 1** KITCHEN PLUMB. PLANS  
SCALE: 1/4"=1'-0"  
WATER & GAS



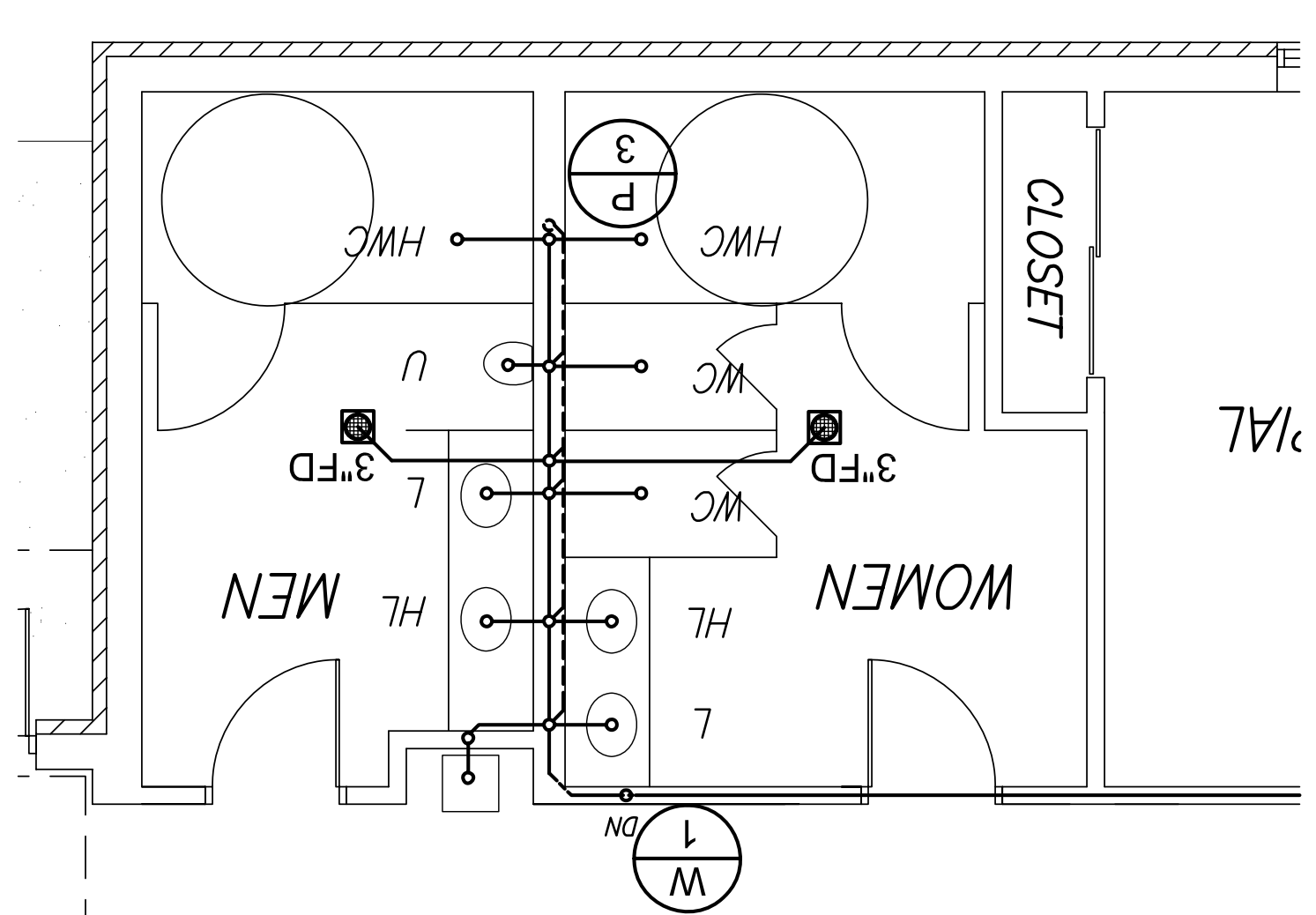
**P 4** CHOIR RM. TOILET PLUMB. PLANS  
SCALE: 1/4"=1'-0"  
SANITARY



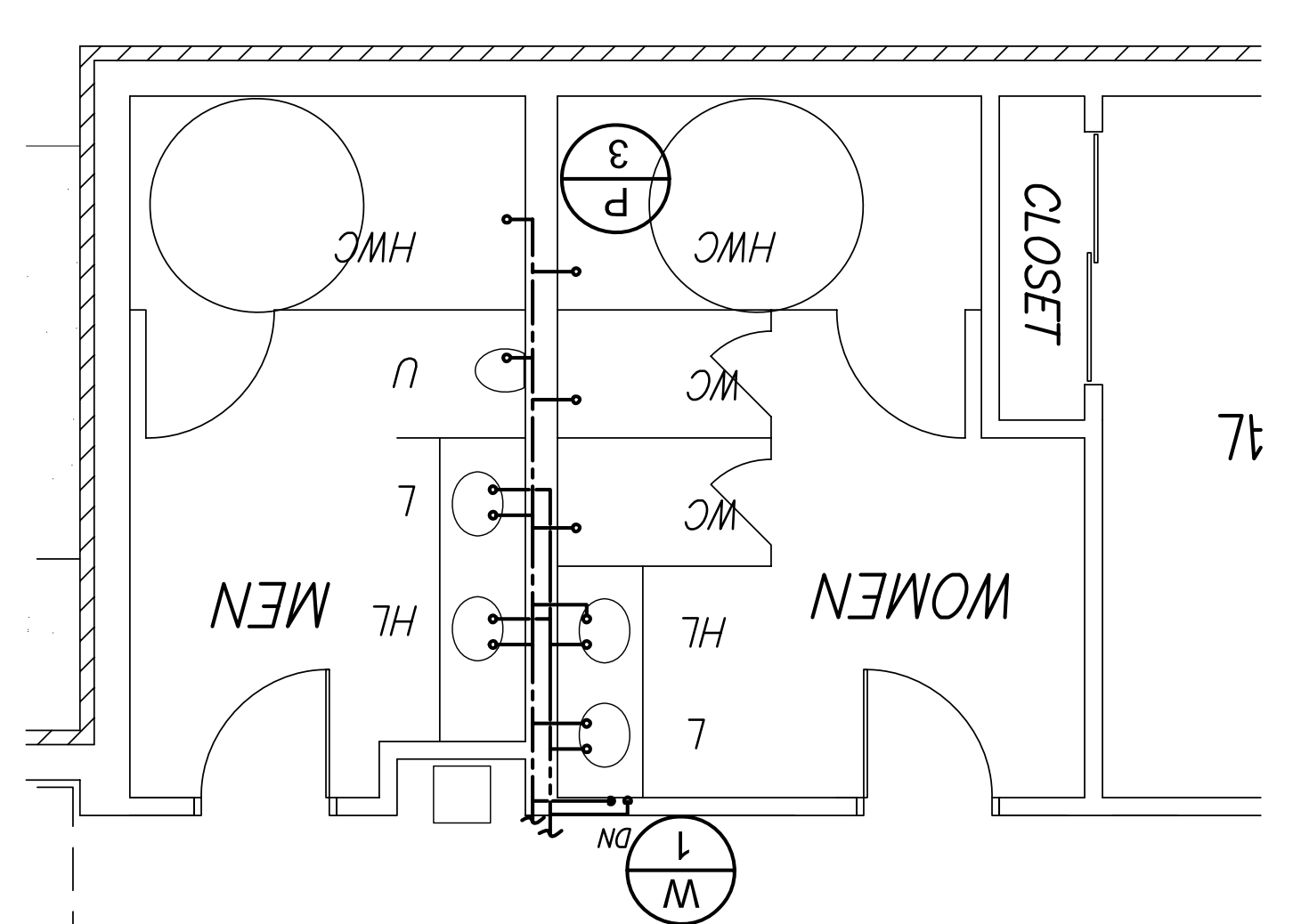
**P 4** CHOIR RM. TOILET PLUMB. PLANS  
SCALE: 1/4"=1'-0"  
WATER



**P 3** MEN/WOMANS RESTROOMS PLUMB. PLANS  
SCALE: 1/4"=1'-0"  
SANITARY



**P 3** MEN/WOMANS RESTROOMS PLUMB. PLANS  
SCALE: 1/4"=1'-0"  
WATER



Drawing No. P-3

File No. BETH-P-2

Checked: C.FORD

Drawn: PAL

Scale: 1/8"=1'-0"

Date: NOV. 29, 2005

Philip Aaron Lacy, Architect  
4013 21st. Place  
Temple Hills, Maryland 20748  
Phone: 301-894-7979

Project Title:  
BETH SHALOM A.M.E. ZION CHURCH  
2501 RITCHE ROAD  
DISTRICT HEIGHTS, MARYLAND 20735

PART PLUMBING FLOOR PLAN (PROPOSED)

Certification:

Engineers:  
CHARLES FORD & ASSOCIATES  
CONSULTING - ENGINEERS & PLANNERS  
4325 GREENWAY AVE. N.W. WASH., D.C. (202) 722-4190

Revisions:

Rev.	Description	Date
1	PERMIT	10-3-07
2	PERMIT	07-8-08
3	PERMIT	11/06/08