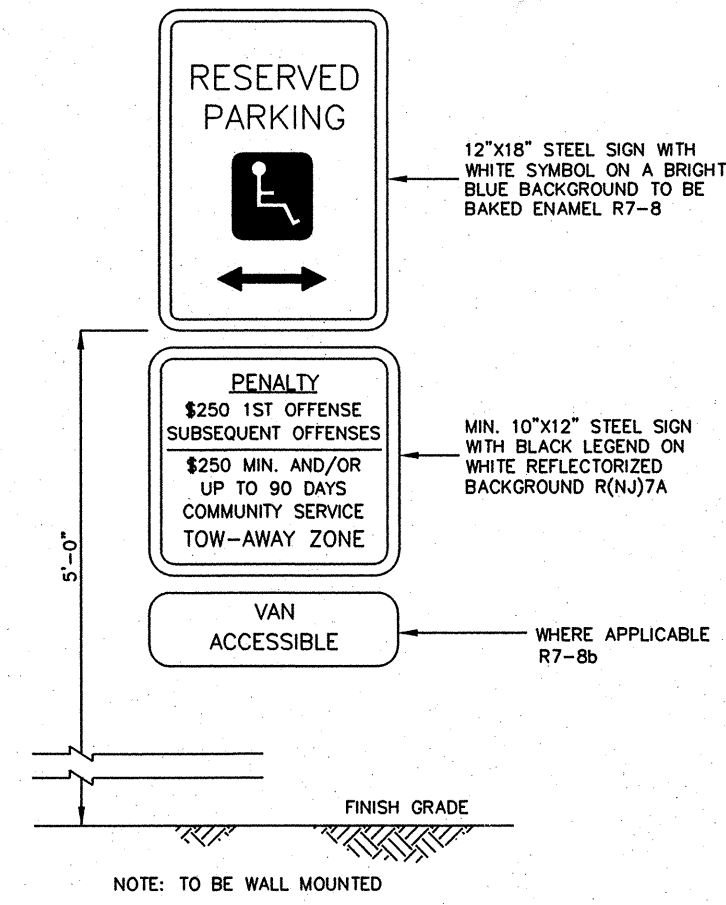
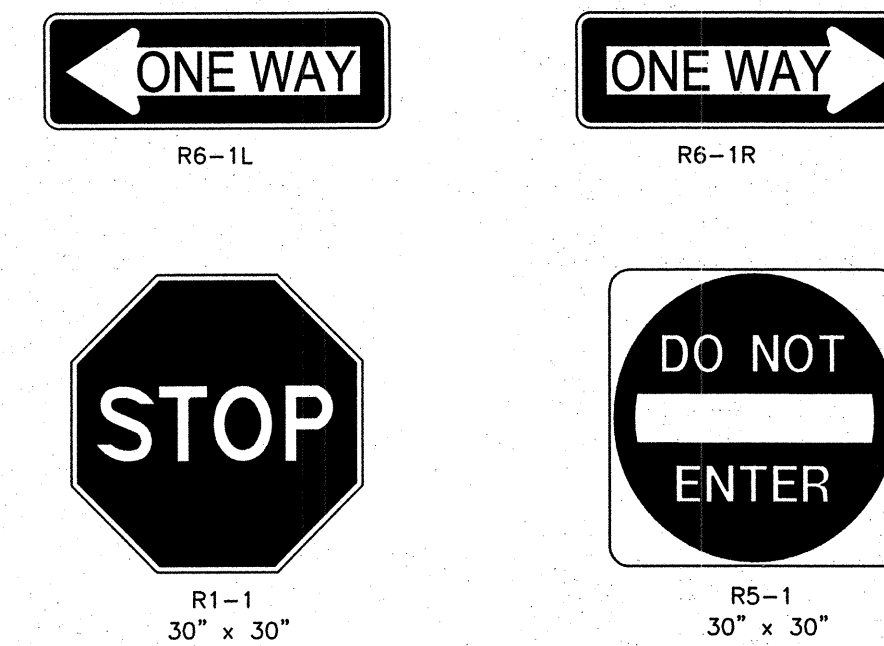


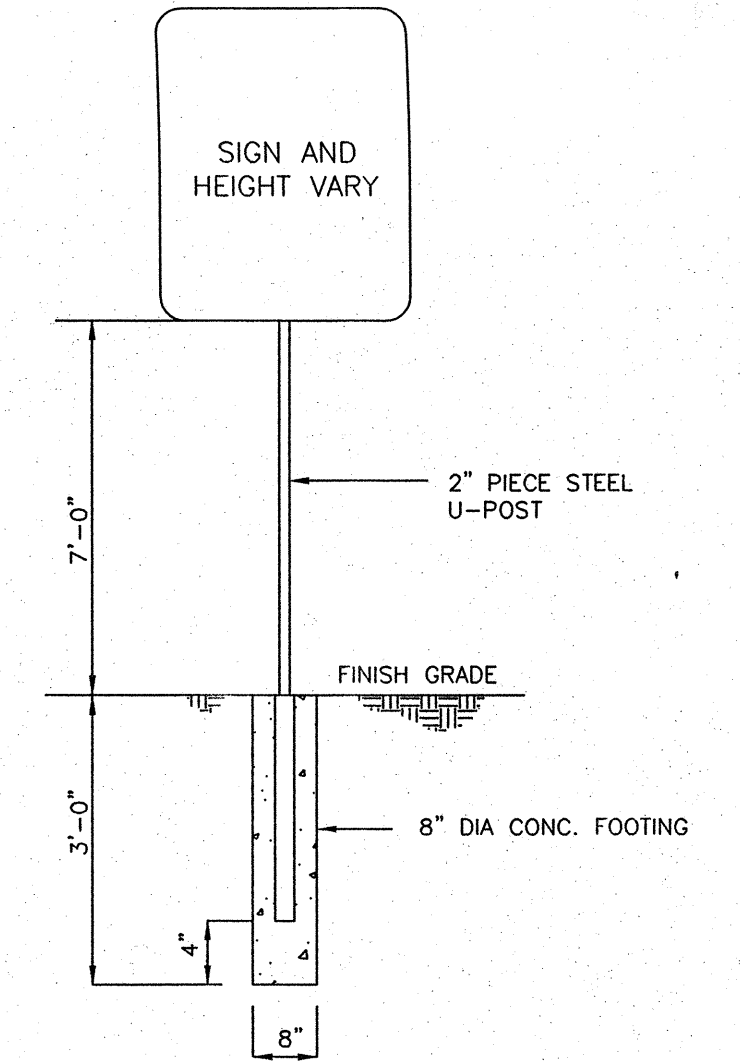
**HANDICAP PARKING DETAIL**  
N.T.S.



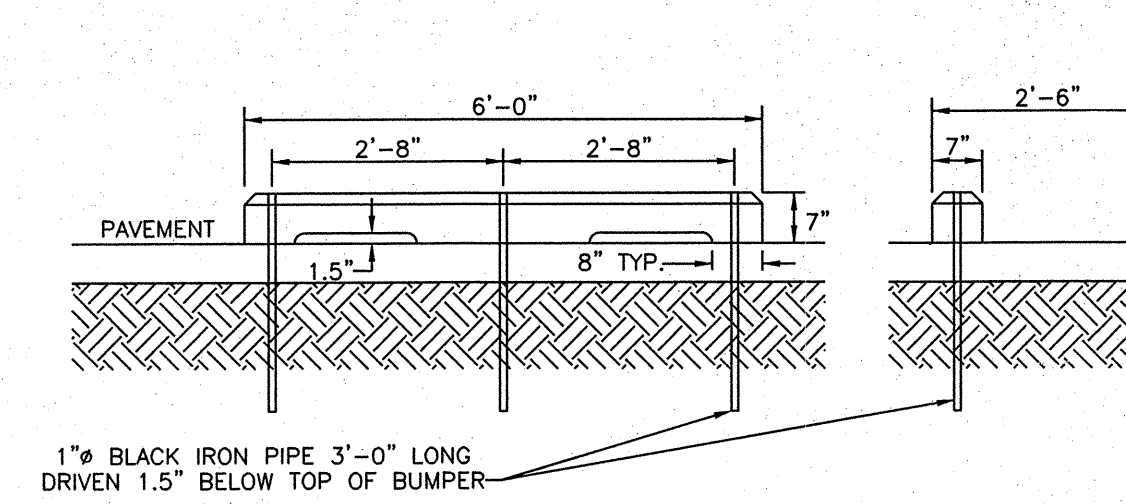
**HANDICAPPED SIGN DETAIL**  
N.T.S.



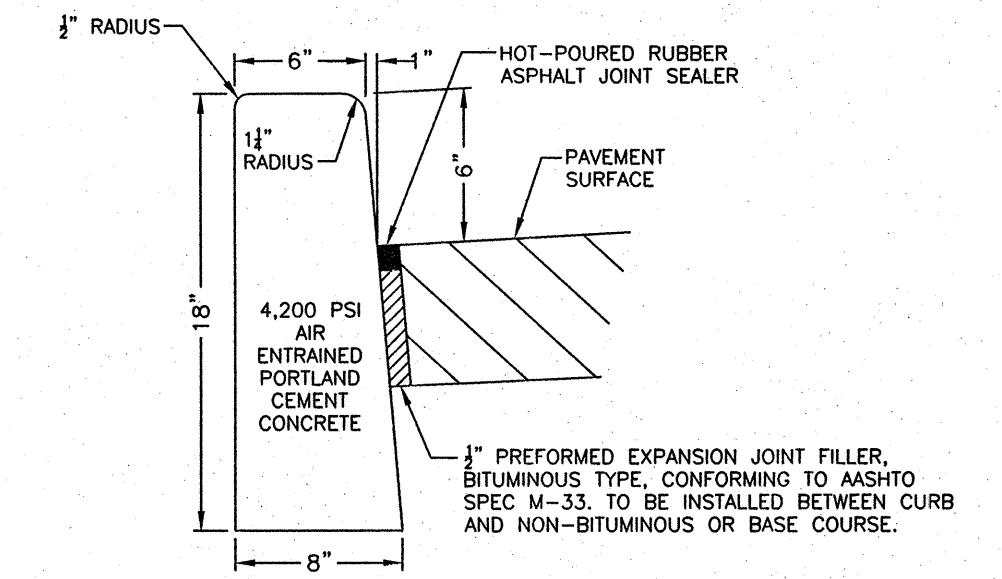
**SIGN DETAILS**  
N.T.S.



**TRAFFIC SIGN POST DETAIL**  
N.T.S.

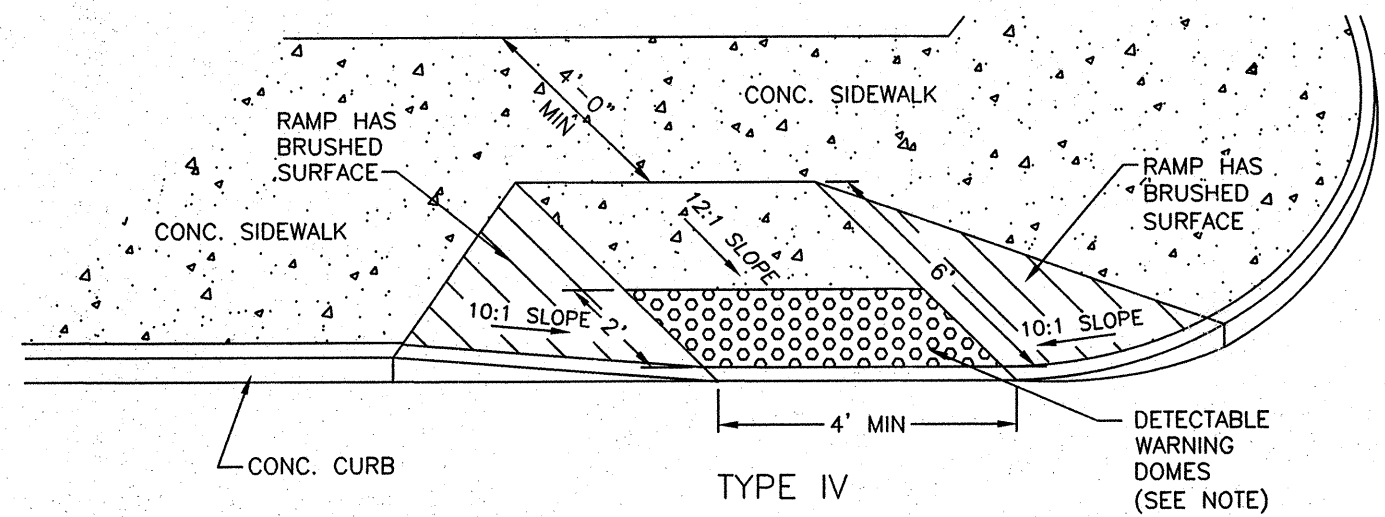


**WHEEL STOP DETAIL**  
N.T.S.

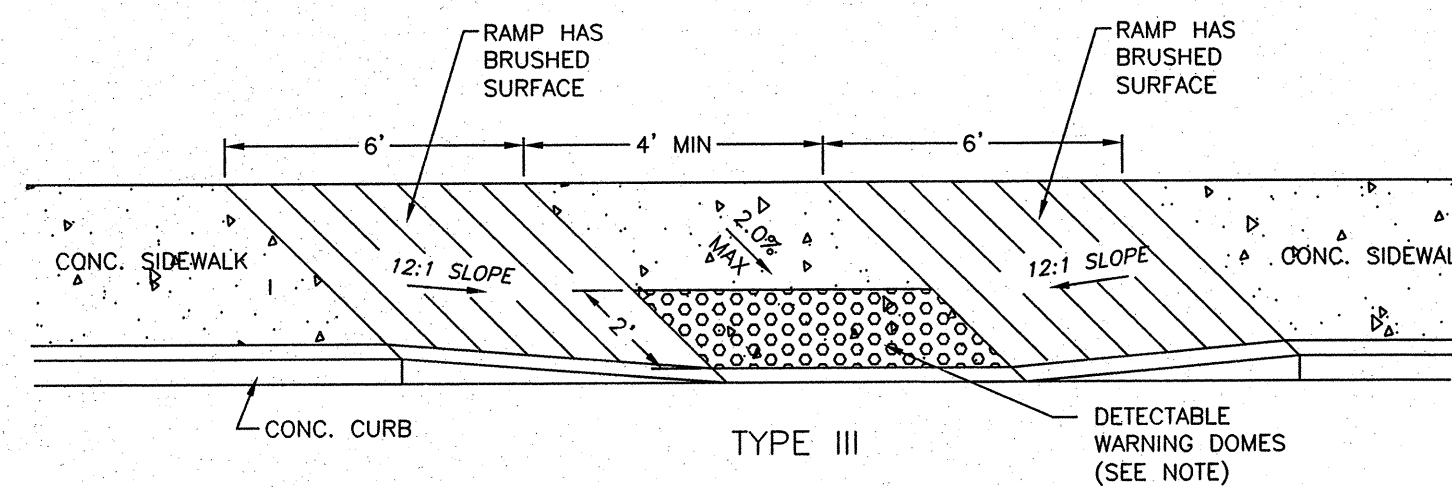


TRANSVERSE JOINTS 1/2" WIDE SHALL BE INSTALLED IN THE CURB 20'-0" APART AND SHALL BE FILLED WITH PREFORMED BITUMINOUS IMPREGATED FIBER JOINT FILLER COMPLYING WITH REQUIREMENTS FOR TYPE III FILLER IN AASHTO SPEC. M-213, RECESSED 1/2" IN FROM FACE AND TOP OF CURB. EXPANSION JOINTS THRU AND ADJACENT TO THE CURB SHALL BE INCLUDED IN THE UNIT-PRICE BID FOR CURB.

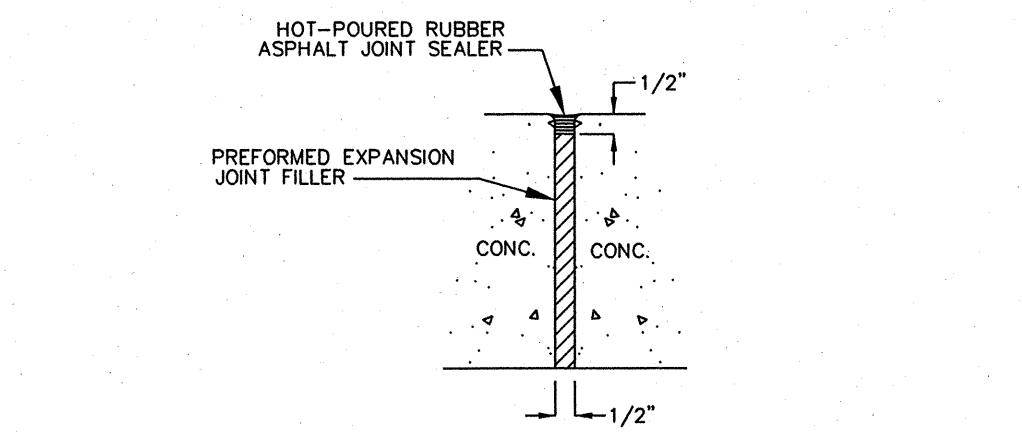
**CURB DETAIL**  
N.T.S.



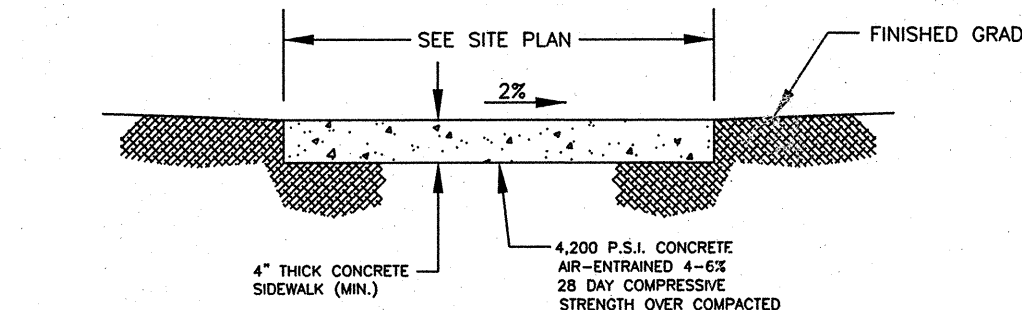
**TYPE IV**



**TYPE III**

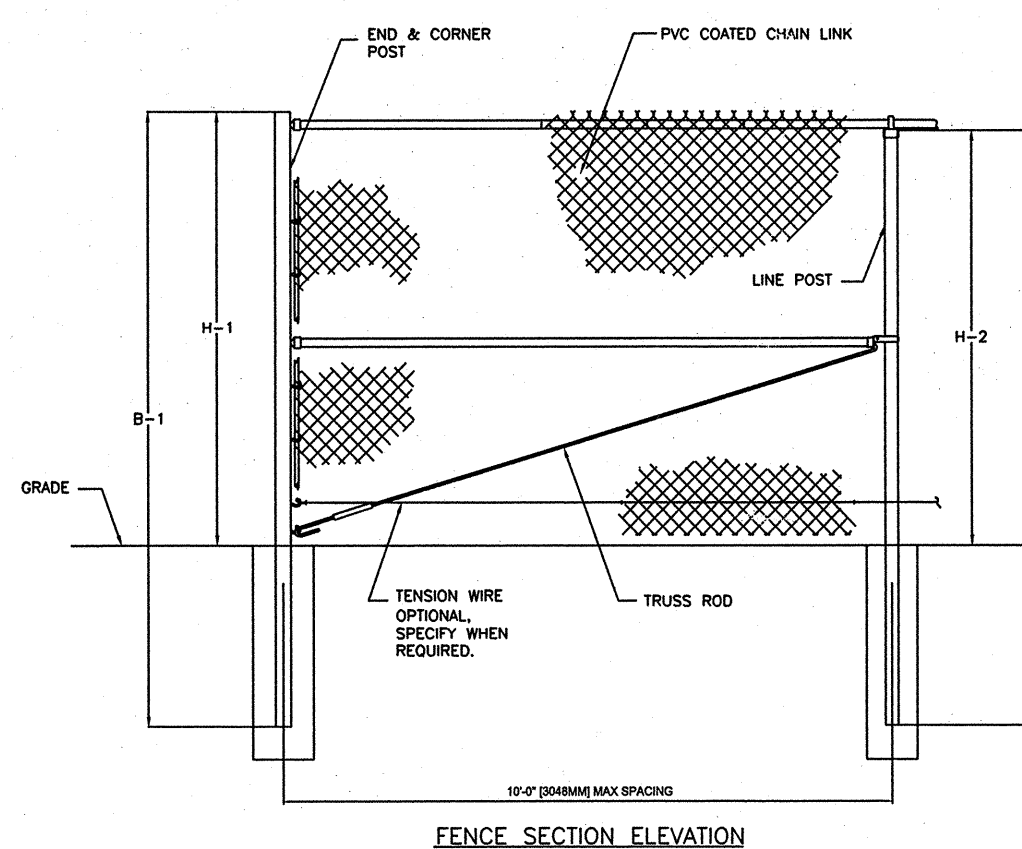


**EXPANSION JOINT DETAIL**  
N.T.S.



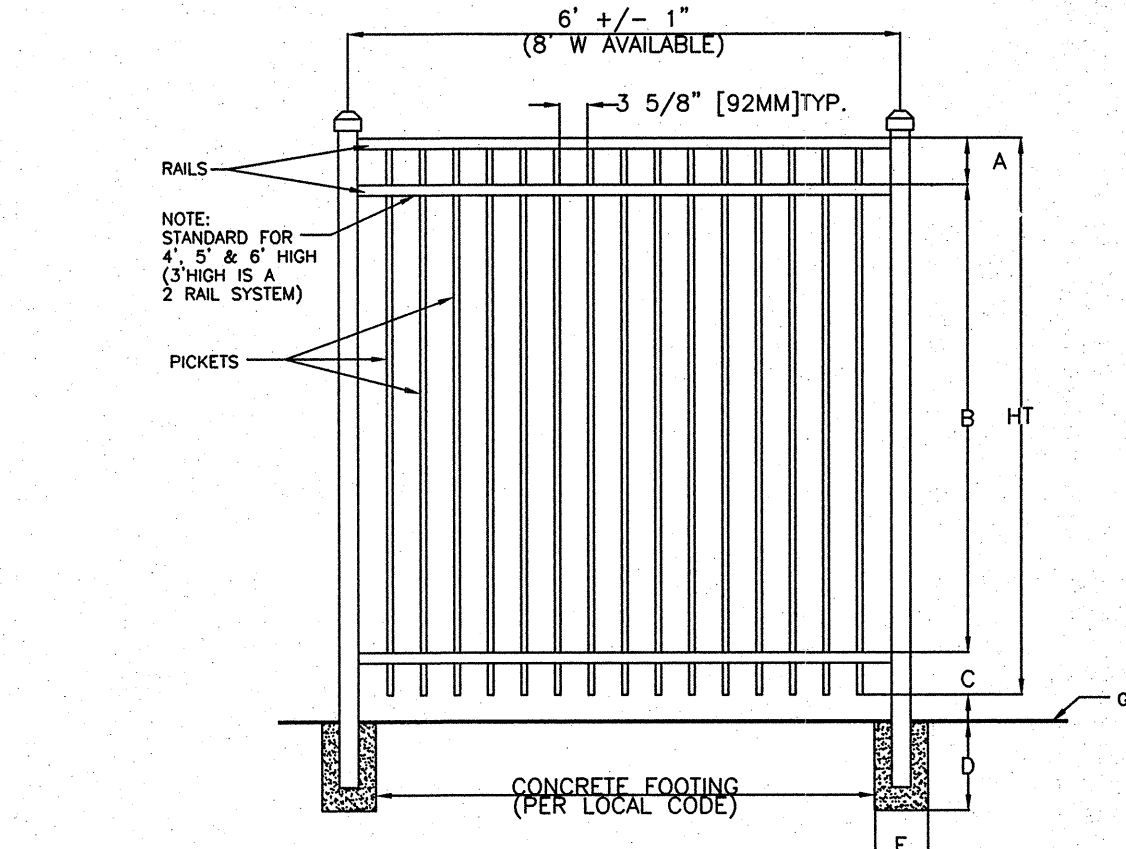
**CONCRETE SIDEWALK DETAIL**  
N.T.S.

NOTES:  
1. CONSTRUCTION JOINTS. THE SURFACE SHALL BE DIVIDED INTO BLOCKS BY USE OF A GROOVING TOOL. GROOVES SHALL BE SO PLACED AS TO CAUSE EXPANSION JOINTS TO BE PLACED AT A GROOVE LINE. THE GROOVES SHALL BE CUT TO A DEPTH OF NOT LESS THAN 1/2 INCH. THE EDGES OF THE GROOVES SHALL BE FINISHED WITH AN EDGING TOOL HAVING A RADIUS OF 1/4 INCH.  
2. EXPANSION JOINTS. EXPANSION JOINTS SHALL BE 1/2 INCH WIDE, PLACED AT INTERVALS OF APPROXIMATELY 20 FEET, AND SHALL BE FILLED WITH PREFORMED EXPANSION JOINT FILLER. EXPANSION JOINTS SHALL BE PREFORMED AROUND ALL APPURTENANCES SUCH AS MANHOLES AND UTILITY POLES EXTENDING INTO OR THROUGH THE CONCRETE. PREFORMED EXPANSION JOINT FILLER, 1/4 INCH THICK, SHALL BE INSTALLED IN THESE JOINTS. EXPANSION JOINT FILLER SHALL BE INSTALLED BETWEEN CONCRETE AND ANY FIXED STRUCTURE, SUCH AS A BUILDING OR BRIDGE. THE EXPANSION JOINT MATERIAL SHALL EXTEND FOR THE FULL DEPTH. THE TOP AND ENDS OF EXPANSION JOINT MATERIAL SHALL BE CLEANED OF CONCRETE, AND THE EXPANSION JOINT MATERIAL SHALL BE SO TRIMMED AS TO BE SLIGHTLY BELOW THE SURFACE TO THE CONCRETE.



**CHAIN LINK FENCE DETAIL**  
N.T.S.

FENCE HEIGHT	END & CORNER POSTS		LINE POSTS	
	NOMINAL HEIGHT	BAR LENGTH	NOMINAL HEIGHT	BAR LENGTH
6'-0" [1829MM]	9'-0" [2743MM]	6'-0 5/8" [1843MM]	8'-8" [2642MM]	5'-8 7/8" [1749MM]



**ALUMINUM FENCE DETAIL**  
N.T.S.

SPECIFICATIONS COMMERCIAL	DIMENSIONS				
	HT	A	B	C	D E
POSTS	2"x2"x.080 WALL	2"x2"x.125 WALL	2 1/2"x2 1/2"x.100 WALL	3"x3"x.125 WALL	
HORIZONTAL RAILS	1 3/8" x 1 1/4"				
SIDE WALLS	.088"				
TOP WALLS	.085"				
PICKETS	3/4"x3/4"x.055 WALL				
PICKET SPACING	3 5/8"				
AVAILABLE HEIGHTS	3, 3 1/2, 4, 5 & 6 FT.				
AVAILABLE WIDTHS	6 & 8 FT.				

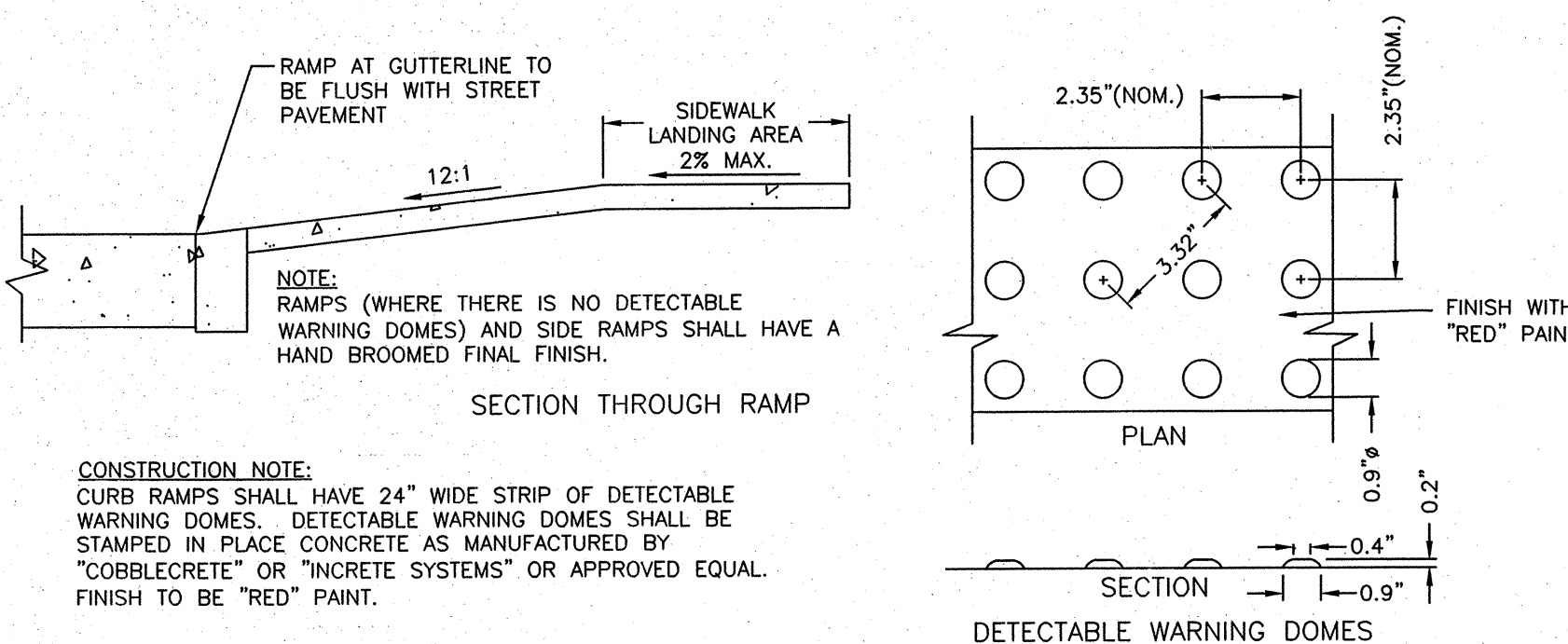
PAVING SECTION MAY BE MODIFIED WITH SUBMITTAL OF CBR TESTS AND PAVEMENT REDUCTION REPORT TO THE CITY ENGINEERING DEPARTMENT.

**PAVING SECTION DETAIL**  
N.T.S.

**SITE DETAILS**

**NORTH CLINTON CHURCH OF CHRIST**  
PLATE 215, BLOCK 21501, LOT 31 & BLOCK 21503, LOTS 9, 10 & 11  
SITUATE IN  
CITY OF TRENTON  
COUNTY OF MERCER, STATE OF NEW JERSEY

**SITE CIVIL ENGINEERING**  
213 CHERRY TREE COURT  
FRANKLINVILLE, NEW JERSEY 08322  
(856) 885 - 8679  
FAX (856) 513 - 6594



**HANDICAP RAMP DETAILS**  
N.T.S.

REV.	DATE	DESCRIPTION	BY	SCALE: N.T.S.	PROJECT NO. 2009-107	DATE: OCTOBER 19, 2009	SHEET NO. 11 of 13

FILE NUMBER 2009-107	<b>WILLIAM P. GILMORE, P.E.</b> NEW JERSEY PROFESSIONAL ENGINEER NO. 240E04783100	DATE
CHECKED BY: WG		
DRAWN BY: TL		