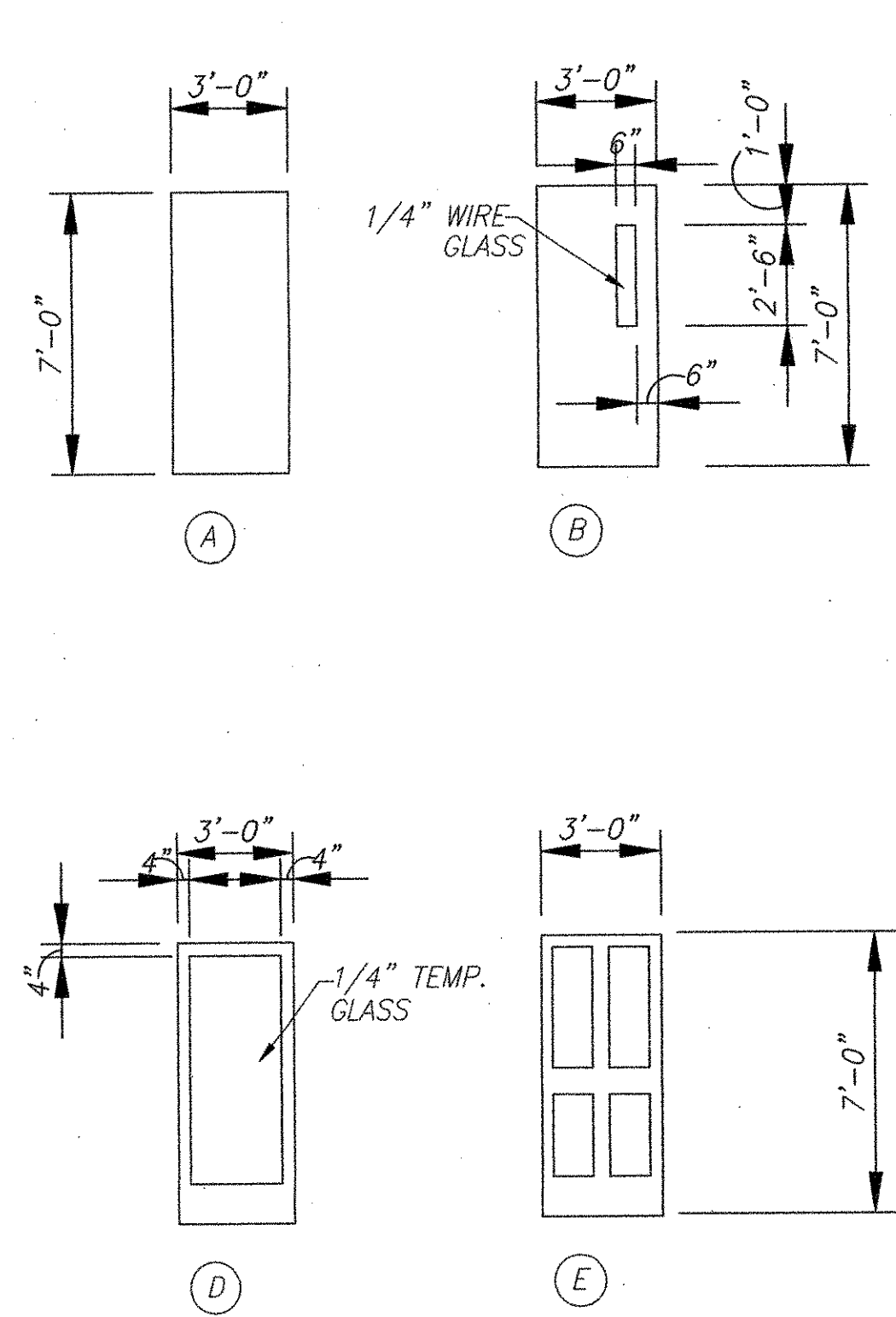
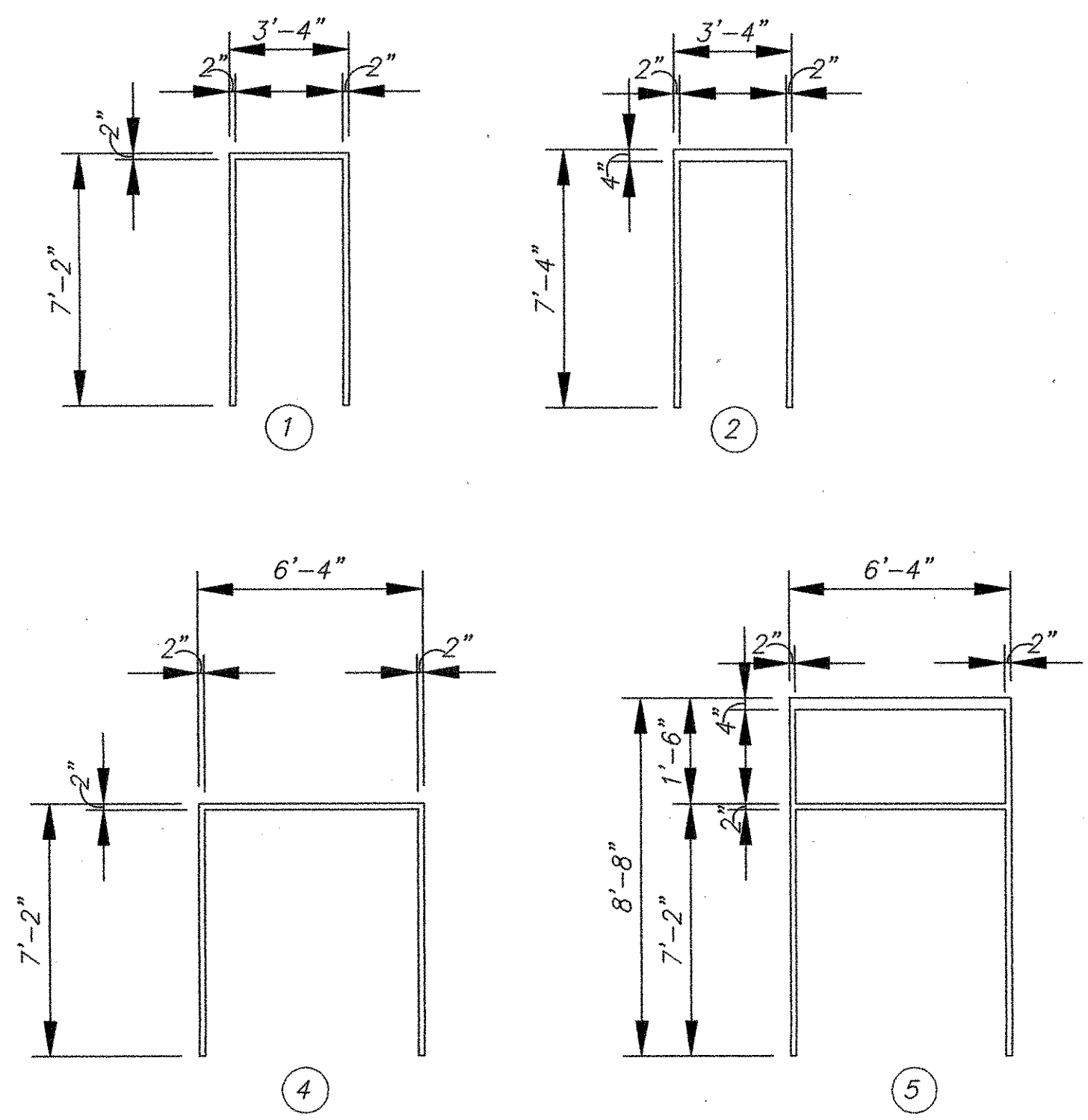


DOOR TYPES
SCALE: 1/4"=1'-0"



FRAME TYPES
SCALE: 1/4"=1'-0"



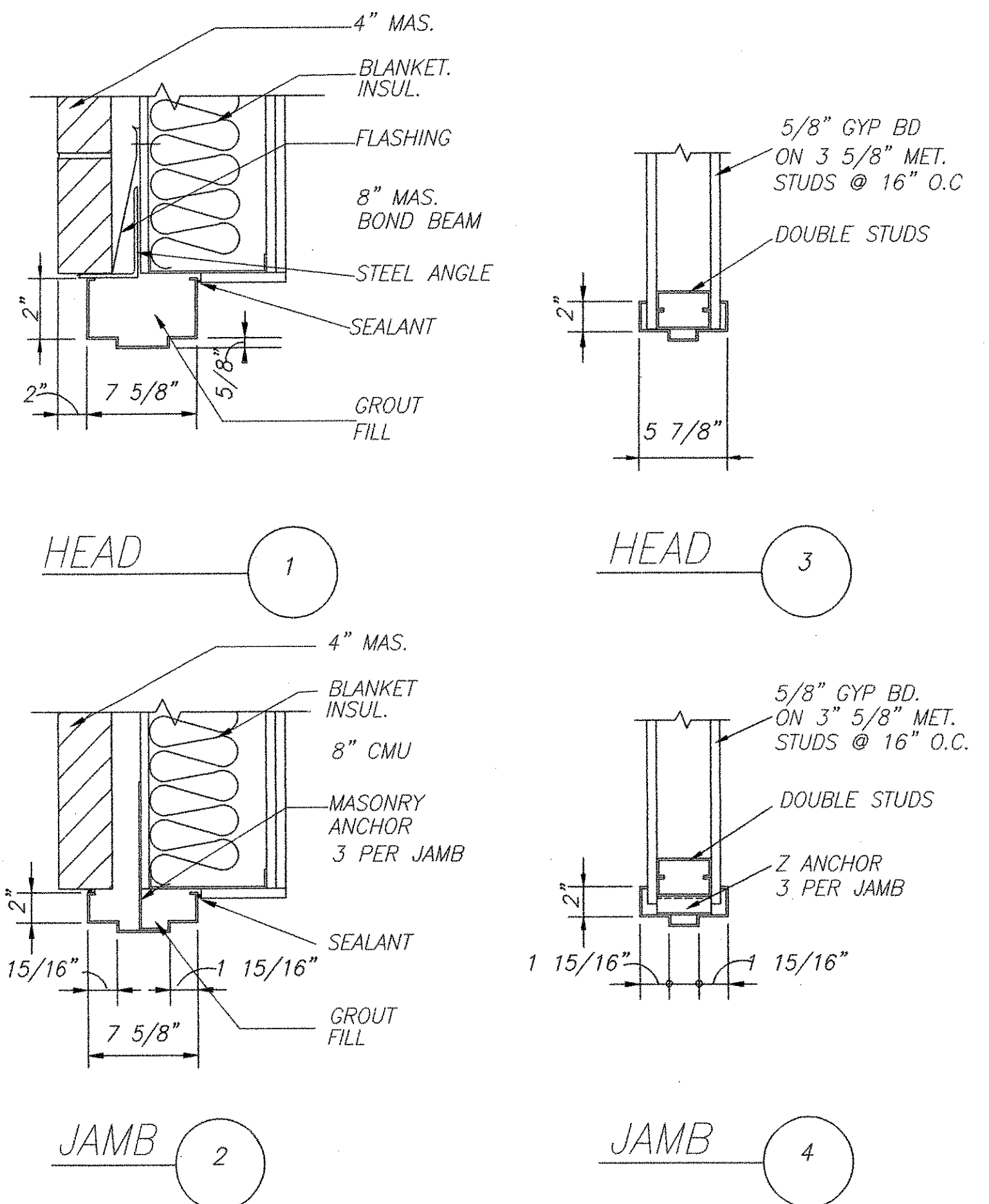
HARDWARE SETS

- HW-1
OFFSET PIVOTS
OVERHEAD CLOSERS
EXIT DEVICES
CYLINDERS
WEATHER SEAL
DOOR SWEEPS
THRESHOLD
FLOOR STOPS
- HW-2
OFFSET PIVOTS
OVERHEAD CLOSER
EXIT DEVICE
CYLINDER
WEATHER SEAL
DOOR SWEEPS
THRESHOLD
FLOOR STOP
- HW-3
HINGES
EXIT DEVICES
CYLINDER
OVERHEAD CLOSERS
OVERHEAD STOP
PULL BAR
KICK PLATE
SILENCERS
- HW-4
HINGES
LATCHSET-PRIVACY FUNCTION
SILENCERS
WALL STOP
- HW-5
HINGES
LATCHSET-PASSAGE FUNCTION
SILENCERS
WALL STOP
CLOSER-PULL SIDE MOUNTING
- HW-6
HINGES
LOCKSET-CLASSROOM FUNCTION
CLOSERS
WALL STOP
SILENCERS
- HW-7
HINGES
CLOSER-PULL SIDE MOUNTING
PUSH PLATE
PULL PLATE
KICK PLATE
SILENCERS
WALL STOP
- HW-8
HINGES
LOCKSET-STORERM. FUNCTION
OVERHEAD CLOSER
SILENCERS
FLOOR STOP
- HW-9
HINGES
EXIT DEVICE
CLOSER-PUSH SIDE MOUNTING
KICK PLATE
SILENCERS
PROVIDE LOCK BOX ON BLDG. EXTERIOR @ DOOR 02
- HW-10
HINGES
LOCKSET-OFFICE FUNCTION
CLOSER-PULL SIDE MOUNTING
WALL STOP
SILENCERS

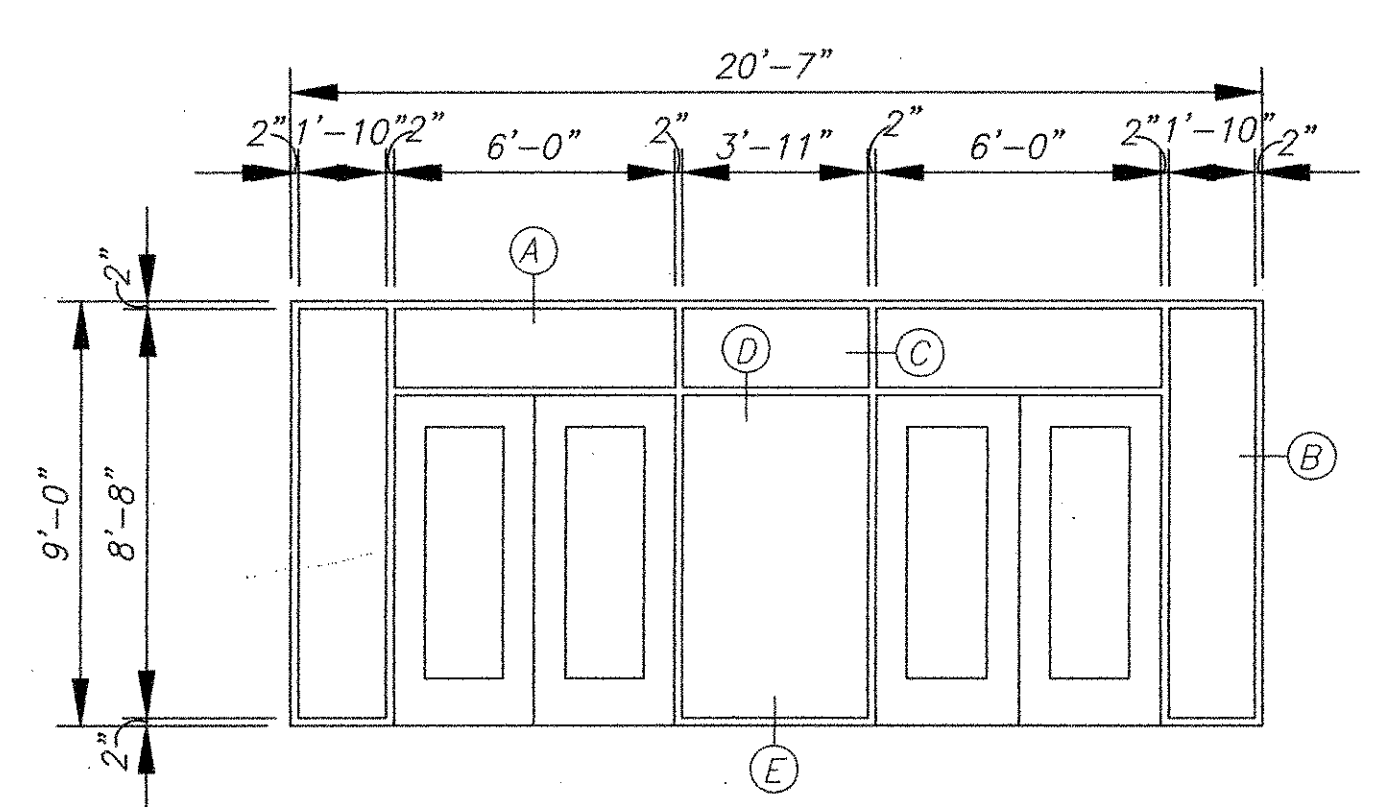
DOOR SCHEDULE

DOOR No.	DOOR SIZE	MATERIAL	TYPE	HEAD	JAMB	THRESHOLD	FRAME	FIRE RATING	HARDWARE SET	REMARKS
01	3'-0"x7'-0"x1-3/4"	ALUMINUM	B	1	2	T-1	2	---	HW-2	PROVIDE PANIC HARDWARE
02	3'-0"x7'-0"x1-3/4"	ALUMINUM	B	1	2	T-1	2	---	HW-2	PROVIDE PANIC HARDWARE
03	3'-0"x7'-0"x1-3/4"	METAL	A	3	4	---	1	1HR. B LABEL	HW-8	---
04	3'-0"x 7'-0"x1-3/4"	METAL	A	3	4	T-2	1	1HR. B LABEL	HW-8	---
05	3'-0"x 7'-0"x1-3/4"	METAL	A	3	4	---	1	---	HW-5	---
06	3'-0"x 7'-0"x1-3/4"	METAL	B	3	4	---	1	---	HW-6	---
07	3'-0"x7'-0"x1-3/4"	WOOD	B	3	4	T-3	1	---	HW-9	PROVIDE PANIC HARDWARE
08	3'-0"x7'-0"x1-3/4"	METAL	B	3	4	---	1	---	HW-6	---
09	3'-0"x7'-0"x1-3/4"	METAL	B	3	4	---	1	---	HW-6	---
10	3'-0"x7'-0"x1-3/4"	METAL	B	3	4	---	1	---	HW-6	---
11	3'-0"x7'-0"x1-3/4"	METAL	A	3	4	T-2	1	---	HW-7	---
12	PR3'-0"x7'-0"x1-3/4"	WOOD	D	3	4	T-3	4	---	HW-3	PROVIDE PANIC HARDWARE
13	3'-0"x7'-0"x1-3/4"	METAL	B	3	4	---	1	---	HW-8	---
14	PR3'-0"x7'-0"x1-3/4"	WOOD	D	3	4	T-3	4	---	HW-3	PROVIDE PANIC HARDWARE
15	3'-0"x7'-0"x1-3/4"	METAL	A	3	4	T-2	1	---	HW-7	---
16	3'-0"x7'-0"x1-3/4"	METAL	A	3	4	T-2	1	---	HW-4	---
17	3'-0"x7'-0"x1-3/4"	METAL	A	3	4	---	1	---	HW-4	---
18	3'-0"x7'-0"x1-3/4"	WOOD	B	3	4	---	1	---	HW-10	---
19	3'-0"x7'-0"x1-3/4"	METAL	B	3	4	T-3	1	---	HW-10	---
20	3'-0"x7'-0"x1-3/4"	METAL	B	3	4	T-3	1	---	HW-10	---
21	3'-0"x7'-0"x1-3/4"	METAL	B	3	4	---	1	---	HW-6	---
22	3'-0"x7'-0"x1-3/4"	METAL	B	3	4	---	1	---	HW-6	---
23	3'-0"x7'-0"x1-3/4"	METAL	A	3	4	---	1	---	HW-4	---
24	3'-0"x7'-0"x1-3/4"	METAL	A	3	4	---	1	---	HW-4	---
25	3'-0"x7'-0"x1-3/4"	METAL	A	3	4	---	1	1HR. B LABEL	HW-8	---
26	3'-0"x7'-0"x1-3/4"	WOOD	B	3	4	T-3	1	---	HW-9	PROVIDE PANIC HARDWARE
27	3'-0"x7'-0"x1-3/4"	METAL	A	3	4	T-2	1	---	HW-4	---
28	PR 3'-0"x7'-0"x1-3/4"	ALUMINUM	B	1	2	T-1	2	---	HW-1	PROVIDE PANIC HARDWARE
29	PR 3'-0"x7'-0"x1-3/4"	ALUMINUM	B	1	2	T-1	2	---	HW-1	PROVIDE PANIC HARDWARE
30	PR 3'-0"x7'-0"x1-3/4"	ALUMINUM	B	1	2	T-1	2	---	HW-1	PROVIDE PANIC HARDWARE
31	PR 3'-0"x7'-0"x1-3/4"	ALUMINUM	B	1	2	T-1	2	---	HW-1	PROVIDE PANIC HARDWARE

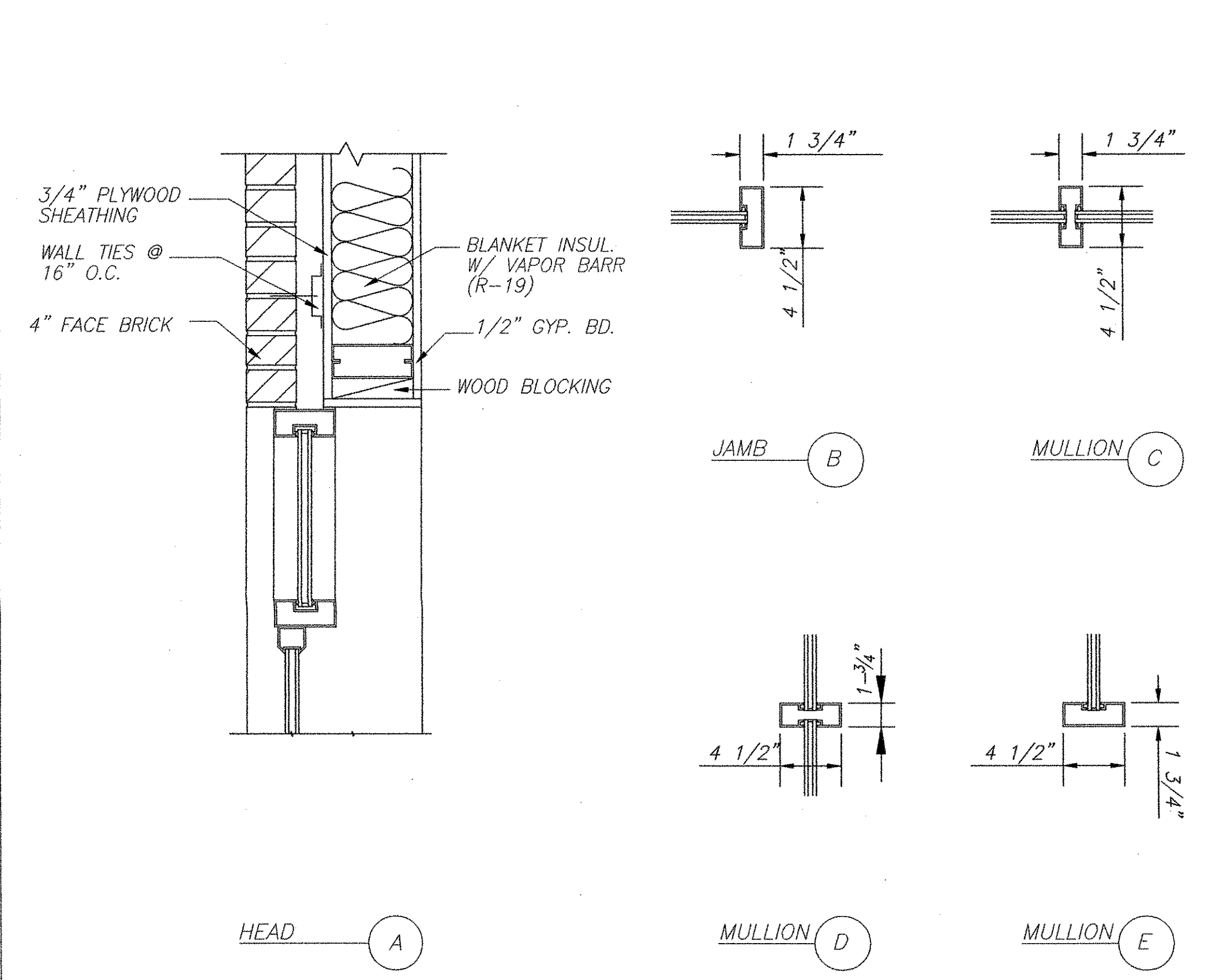
DOOR DETAILS



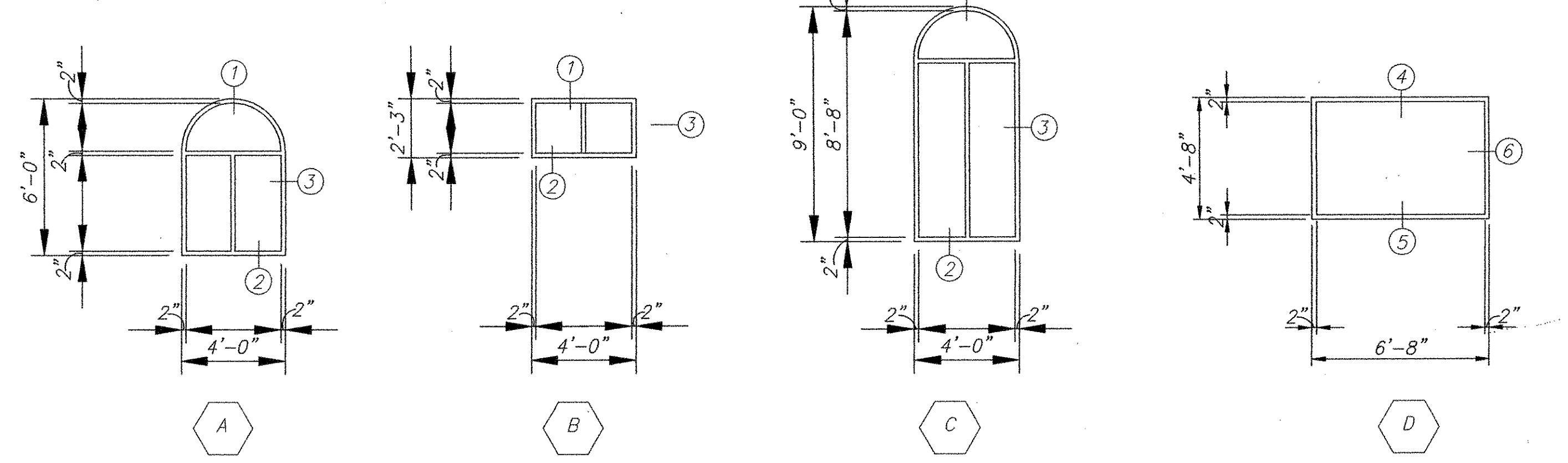
ALUMINUM STOREFRONT
SCALE: 1/4"=1'-0"



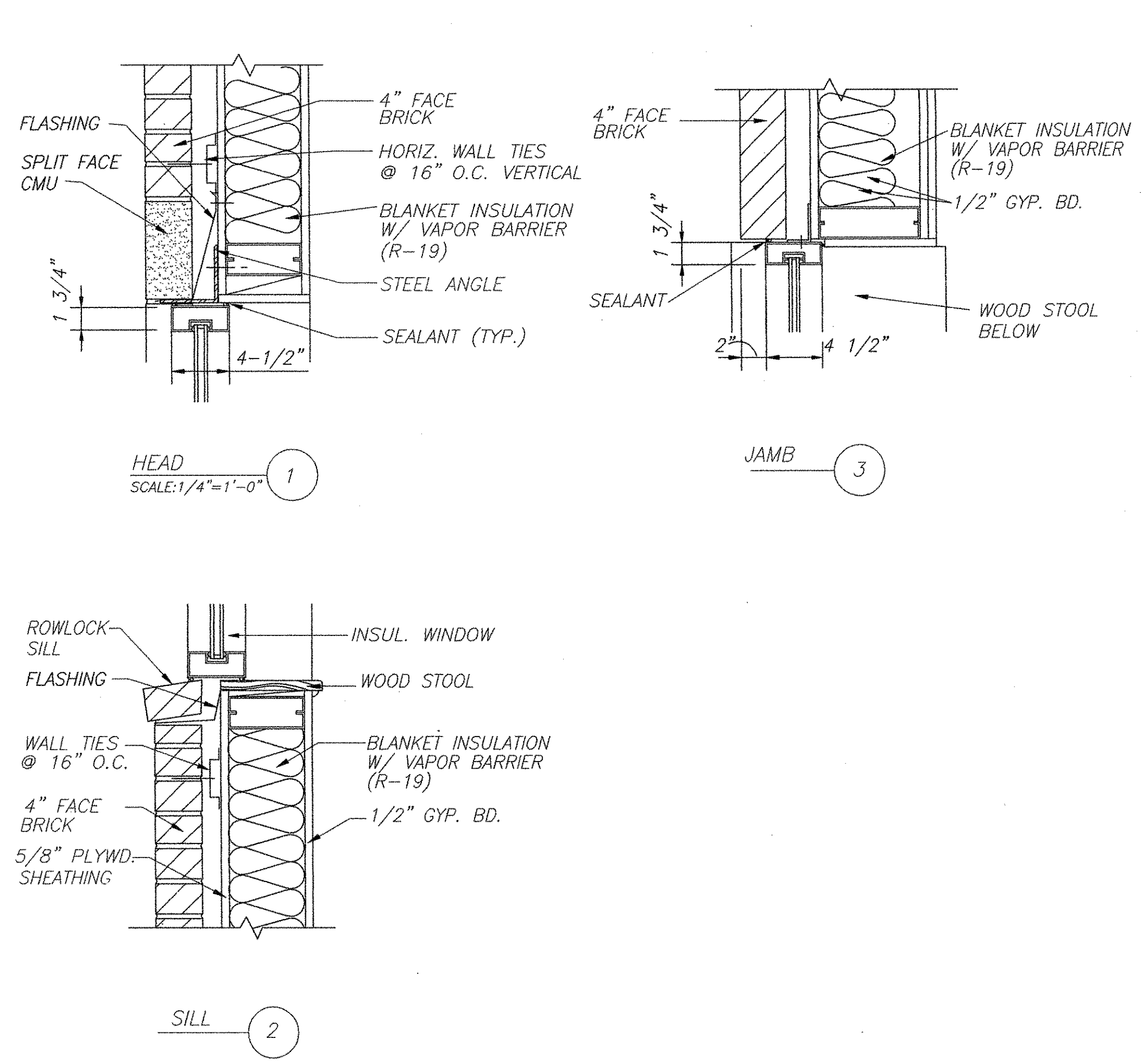
STOREFRONT DETAILS
SCALE: 1/4"=1'-0"



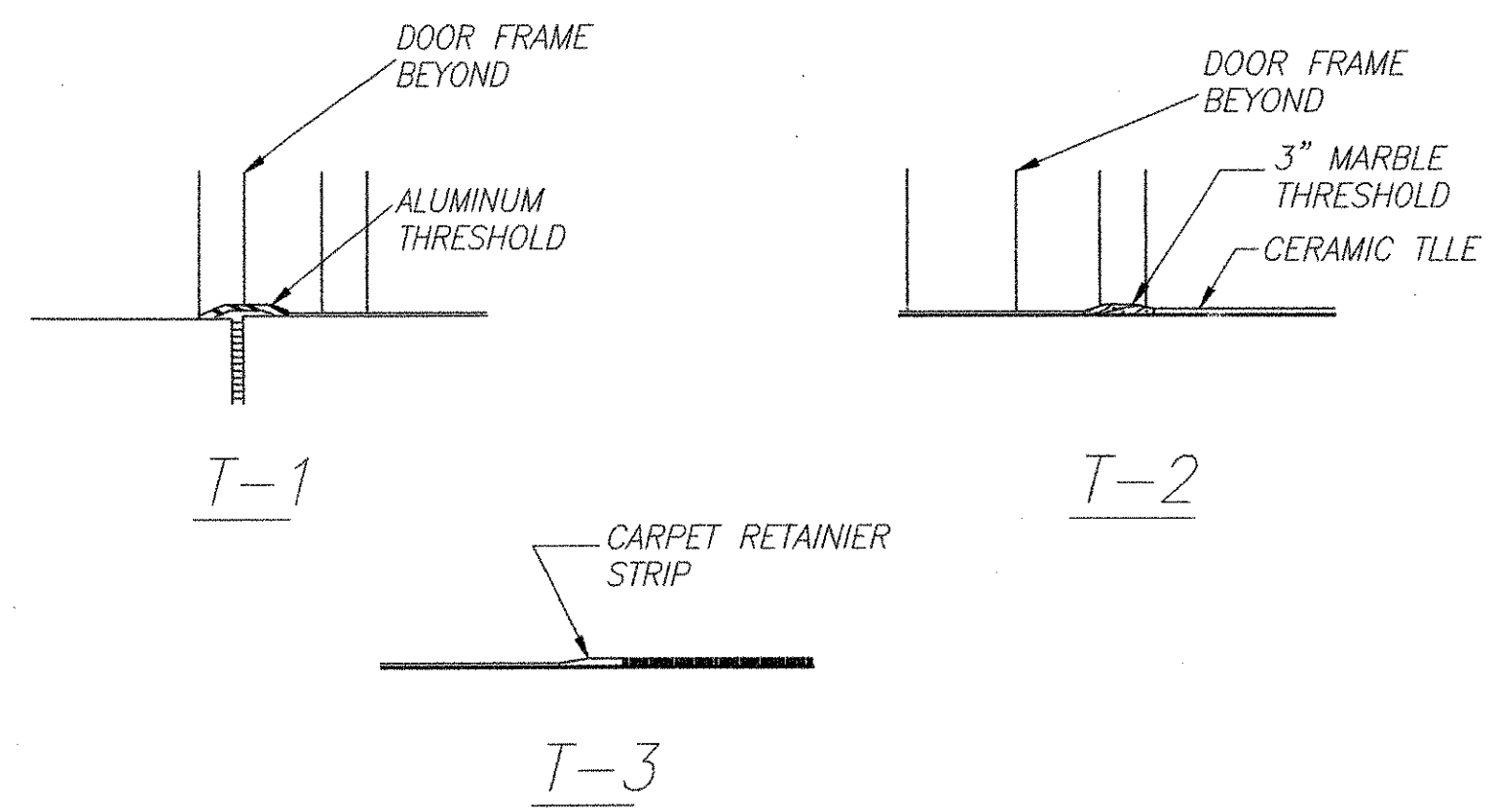
WINDOW TYPES
SCALE: 1/4"=1'-0"



WINDOW DETAILS
SCALE: 1/4"=1'-0"

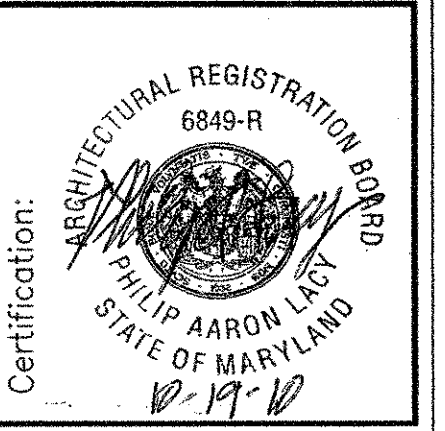


THRESHOLD TYPES
NO SCALE



Copyright 2004 Philip Aaron Lacy, Architect. All rights reserved. No portion of this document may be reproduced without written permission.

Date: _____
Revisions: _____
Consultants: _____



Project Title:
MIRACLE TEMPLE ASSEMBLY OF GOD
14111 ALDERTON ROAD
SILVER SPRING, MARYLAND 20906

Philip Aaron Lacy, Architects
6188 Oxon Hill Road, Suite 303
Oxon Hill, Maryland 20745
Phone: 301-567-8223

Date: OCT. 12, 2010
Scale: 1/4"=1'-0"
Drawn: FCB
Checked: PAL
File No. MTAG_A09

Drawing No.
A-9

Professional Certification: I hereby certify that these documents were prepared or approved by me, and that I am duly licensed professional architect under the laws of the State of Maryland Architectural License number 6849 with expiration date of 11/18/2011.