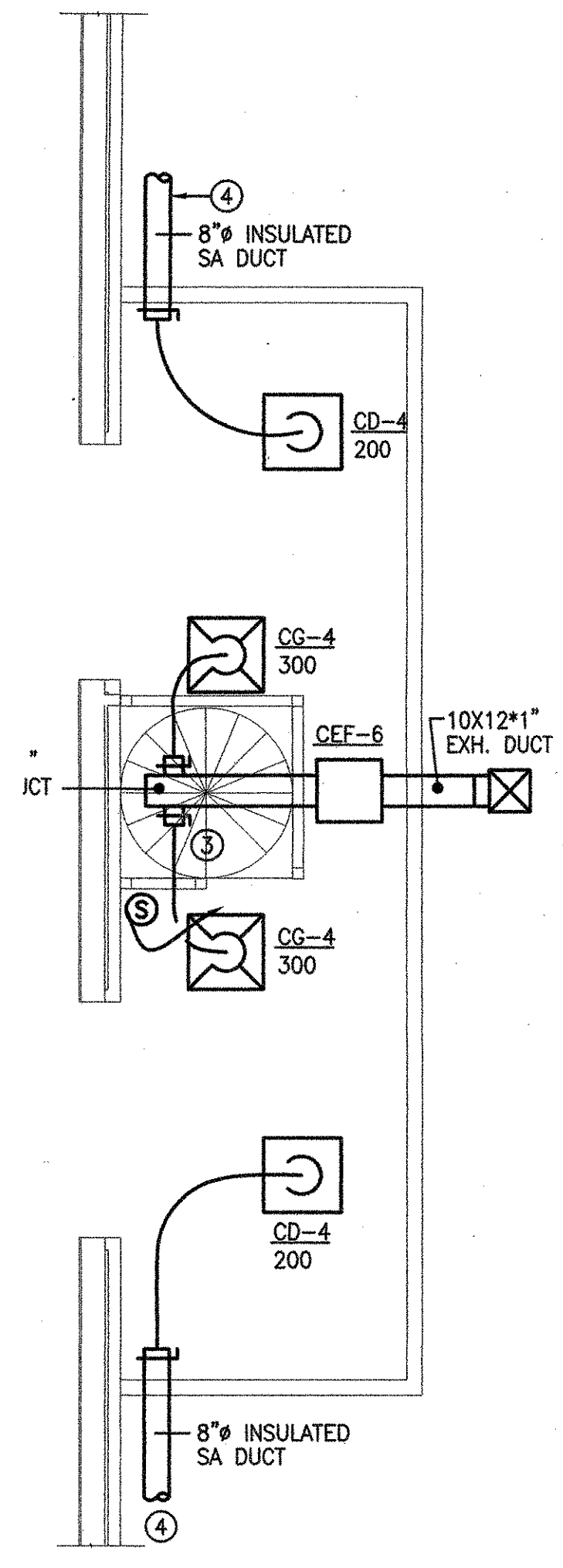
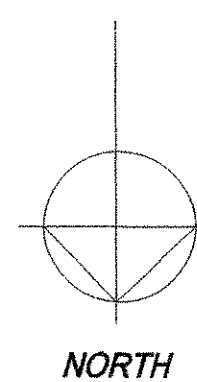


MECHANICAL PLAN (MEZZANINE)
SCALE: 1/4" = 1'-0"



MECHANICAL PLAN
SCALE: 1/4" = 1'-0"



Date: _____

Revisions:

Consultants:

PROFESSIONAL CERTIFICATION: I CERTIFY THAT I AM A LICENSED MECHANICAL ENGINEER IN THE STATE OF MARYLAND, LICENSE NO. 2000010003, EXPIRES ON 01/31/2011.

Certification: _____

Project Title:

MIRACLE TEMPLE ASSEMBLY OF GOD
14111 ALBERTON ROAD
SILVER SPRING, MARYLAND 20908

MECHANICAL PLAN

Philip Aaron Lucy, Architect
6188 Oxon Hill Road, Suite 303
Oxon Hill, Maryland 20745
Phone: 301-567-8223

Date: OCTOBER 12, 2010

Scale: 1/4" = 1'-0"

Drawn: GC

Checked: CC

File No. P:\PROJ\2010\10003

Drawing No.

M - 2

of _____

Copyright 2005 Philip Aaron Lucy, Architect. All rights reserved. No portion of this document may be reproduced without written permission.