

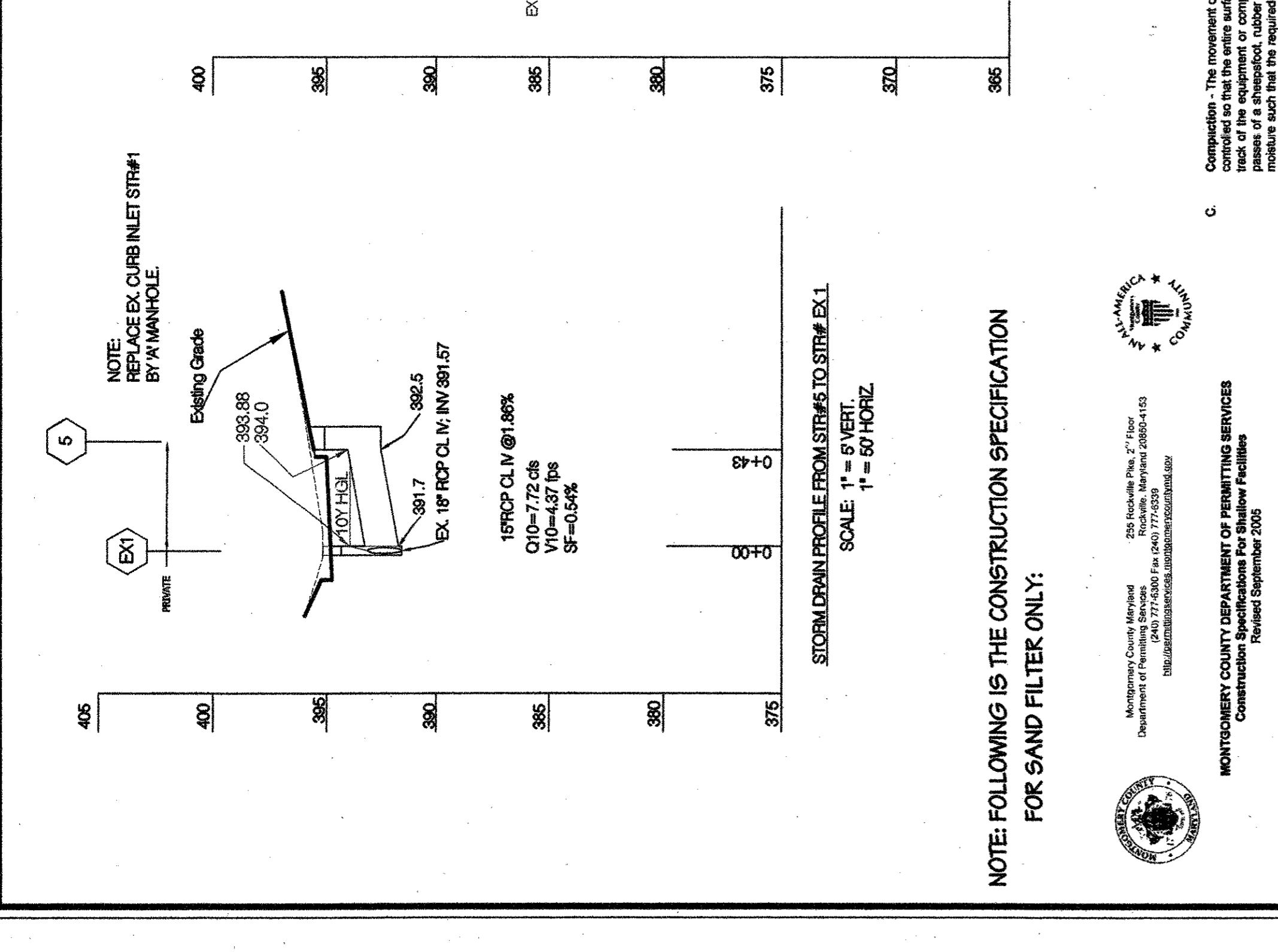
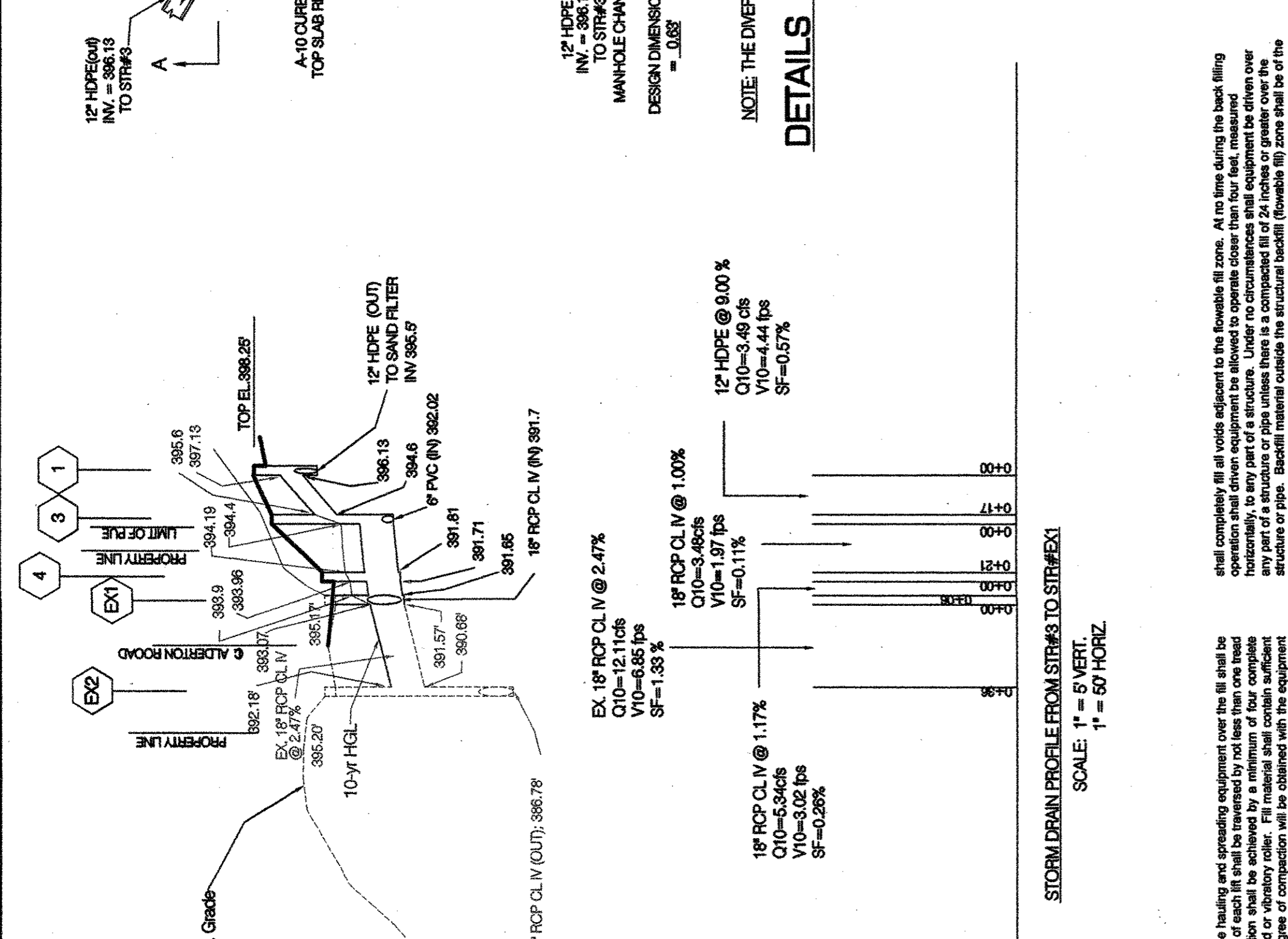
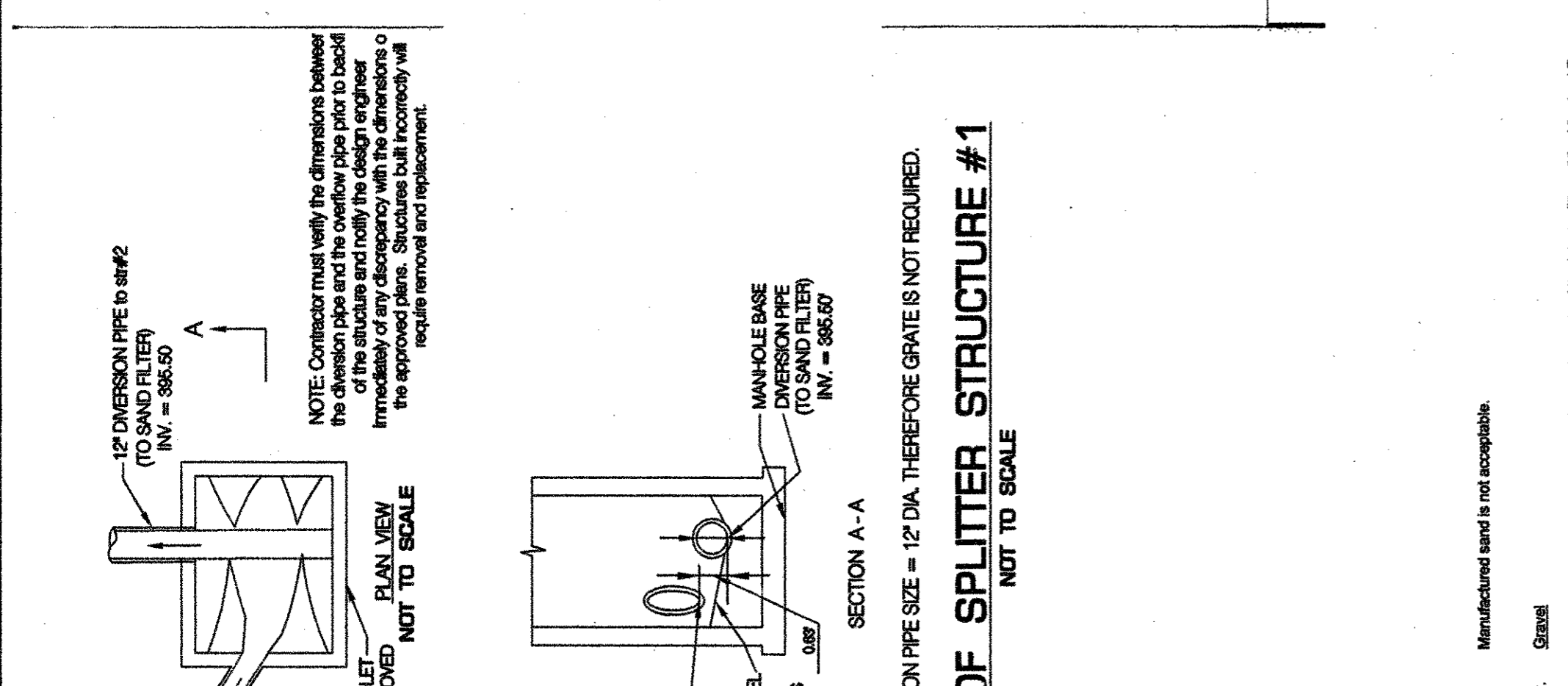
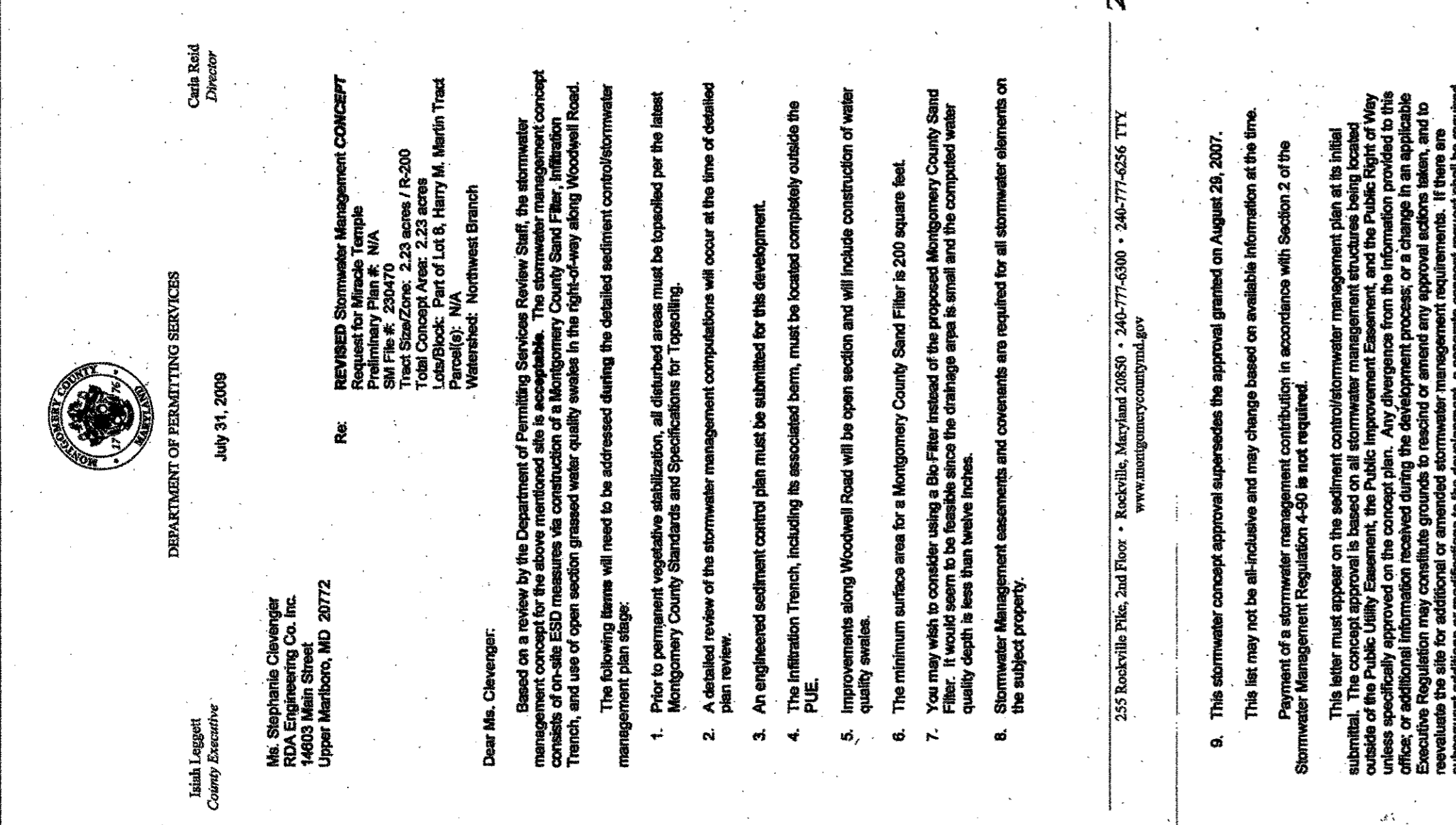
DEPARTMENT OF PERMITTING SERVICES  
July 31, 2009

Ms. Stephanie Clewinger  
County Engineer

Ms. Stephanie Clewinger  
County Engineer

RECEIVED Stormwater Management CONCEPT  
Permitting Section  
223 Avenue R, Room 203  
Upper Meridian, MD 20772

Dear Ms. Clewinger:  
Based on a review by the Department of Permitting Services Staff, the stormwater management concept for the above mentioned site is acceptable. The stormwater management concept includes the following items:  
1. The stormwater management concept includes the following items:  
2. The stormwater management concept includes the following items:  
3. The stormwater management concept includes the following items:  
4. The stormwater management concept includes the following items:  
5. The stormwater management concept includes the following items:  
6. The stormwater management concept includes the following items:  
7. The stormwater management concept includes the following items:  
8. The stormwater management concept includes the following items:



STORM DRAIN PIPE SUMMARY

SIZE	TYPE	LENGTH
12"	HDPE	26'
18"	RCP CL IV	70'
TOTAL = 96'		

STORM DRAIN PIPE SCHEDULE

FROM	TO	SIZE	TYPE	LENGTH
1	3	12"	HDPE	14'
3	4	18"	RCP CL IV	21'
4	EX1	18"	RCP CL IV	6'
5	EX1	18"	RCP CL IV	43'
1	2	12"	HDPE	12'
TOTAL = 96'				

STORM DRAIN STRUCTURE SCHEDULE

NO.	TYPE	WIDTH	12" DIA	TOP ELEVATION		INV. ELEV. STANDARD DETAIL		
				UPPER	LOWER			
2	END SECTION	12"				985.50	MSHA MD / 37A.01	
1	A-10 INLET	2.5'				989.67	985.25	MC / 501-01
3	50" SHALLOW MANHOLE	48"				997.49	997.49	MSHA MD / 393.0
4	A-10 INLET	2.5'				995.25	995.25	MC / 501-01
5	A-10 INLET	2.5'				995.59	995.51	MC / 501-01
EX1	48" SHALLOW MANHOLE	48"				994.83	994.83	MSHA MD / 393.0

UNDER DRAIN PIPE SYSTEM  
TOTAL LENGTH OF 6" PERFF. PVC PERFF. PIPE=21'  
INVERT ELEV. OF PERFF. NON-PERFF. PIPE WITHIN  
INVERT ELEV. OF 6" PERFF. PIPE  
AT STATION 3+02.02  
SLOPE OF THE NON-PERFF. PIPE=0.28%

STORM DRAIN PIPE SUMMARY

SIZE	TYPE	LENGTH
12"	HDPE	26'
18"	RCP CL IV	70'
TOTAL = 96'		

STORM DRAIN PIPE SCHEDULE

FROM	TO	SIZE	TYPE	LENGTH
1	3	12"	HDPE	14'
3	4	18"	RCP CL IV	21'
4	EX1	18"	RCP CL IV	6'
5	EX1	18"	RCP CL IV	43'
1	2	12"	HDPE	12'
TOTAL = 96'				

STORM DRAIN STRUCTURE SCHEDULE

NO.	TYPE	WIDTH	12" DIA	TOP ELEVATION		INV. ELEV. STANDARD DETAIL		
				UPPER	LOWER			
2	END SECTION	12"				985.50	MSHA MD / 37A.01	
1	A-10 INLET	2.5'				989.67	985.25	MC / 501-01
3	50" SHALLOW MANHOLE	48"				997.49	997.49	MSHA MD / 393.0
4	A-10 INLET	2.5'				995.25	995.25	MC / 501-01
5	A-10 INLET	2.5'				995.59	995.51	MC / 501-01
EX1	48" SHALLOW MANHOLE	48"				994.83	994.83	MSHA MD / 393.0

UNDER DRAIN PIPE SYSTEM  
TOTAL LENGTH OF 6" PERFF. PVC PERFF. PIPE=21'  
INVERT ELEV. OF PERFF. NON-PERFF. PIPE WITHIN  
INVERT ELEV. OF 6" PERFF. PIPE  
AT STATION 3+02.02  
SLOPE OF THE NON-PERFF. PIPE=0.28%

STORM DRAIN PIPE SUMMARY

SIZE	TYPE	LENGTH
12"	HDPE	26'
18"	RCP CL IV	70'
TOTAL = 96'		

STORM DRAIN PIPE SCHEDULE

FROM	TO	SIZE	TYPE	LENGTH
1	3	12"	HDPE	14'
3	4	18"	RCP CL IV	21'
4	EX1	18"	RCP CL IV	6'
5	EX1	18"	RCP CL IV	43'
1	2	12"	HDPE	12'
TOTAL = 96'				

STORM DRAIN STRUCTURE SCHEDULE

NO.	TYPE	WIDTH	12" DIA	TOP ELEVATION		INV. ELEV. STANDARD DETAIL		
				UPPER	LOWER			
2	END SECTION	12"				985.50	MSHA MD / 37A.01	
1	A-10 INLET	2.5'				989.67	985.25	MC / 501-01
3	50" SHALLOW MANHOLE	48"				997.49	997.49	MSHA MD / 393.0
4	A-10 INLET	2.5'				995.25	995.25	MC / 501-01
5	A-10 INLET	2.5'				995.59	995.51	MC / 501-01
EX1	48" SHALLOW MANHOLE	48"				994.83	994.83	MSHA MD / 393.0

UNDER DRAIN PIPE SYSTEM  
TOTAL LENGTH OF 6" PERFF. PVC PERFF. PIPE=21'  
INVERT ELEV. OF PERFF. NON-PERFF. PIPE WITHIN  
INVERT ELEV. OF 6" PERFF. PIPE  
AT STATION 3+02.02  
SLOPE OF THE NON-PERFF. PIPE=0.28%

STORM DRAIN PROFILE FROM STR#3 TO STR#EX1

SCALE: 1" = 50' HORIZ.

NOTE: THE DIAMETER PIPE SIZE = 12" DIA. THEREFORE GRADE IS NOT REQUIRED.

DETAILS OF SPLITTER STRUCTURE #1  
NOT TO SCALE

STORM DRAIN PROFILE FROM STR#3 TO STR#EX1

SCALE: 1" = 50' HORIZ.

NOTE: THE DIAMETER PIPE SIZE = 12" DIA. THEREFORE GRADE IS NOT REQUIRED.

DETAILS OF SPLITTER STRUCTURE #1  
NOT TO SCALE

STORM DRAIN PROFILE FROM STR#3 TO STR#EX1

SCALE: 1" = 50' HORIZ.

NOTE: THE DIAMETER PIPE SIZE = 12" DIA. THEREFORE GRADE IS NOT REQUIRED.

DETAILS OF SPLITTER STRUCTURE #1  
NOT TO SCALE

STORM DRAIN PROFILE FROM STR#3 TO STR#EX1

SCALE: 1" = 50' HORIZ.

NOTE: THE DIAMETER PIPE SIZE = 12" DIA. THEREFORE GRADE IS NOT REQUIRED.

DETAILS OF SPLITTER STRUCTURE #1  
NOT TO SCALE

INLET DATA TABLE

STR#	AREA	Tc	110/100	R10/R100
1	AC	MIN	INHR	0.55
10	5.71	16.22	4.83	0.28
11	0.80	10	5.85	0.64

Tc = TIME OF CONCENTRATION MIN  
R10 = RUNOFF COEFFICIENT FOR 10 YR RUNOFF  
R100 = RUNOFF COEFFICIENT FOR 100 YR RUNOFF  
I10 = 10-YR RAINFALL INTENSITY INHR  
I100 = 100-YR RAINFALL INTENSITY INHR  
Q10 = 10-YR RUNOFF CFS  
Q100 = 100-YR RUNOFF CFS

PROFESSIONAL CERTIFICATION

I hereby certify that these documents were prepared or approved by me, and that I am a duly licensed professional engineer under the laws of the State of Maryland, License No. 8821, Expiration Date: 11/28/11.

Grandee S. Dralwala, P.E. Maryland Registration No. 8821

3/14/2011

DATE

GRANDER/APPLICANT

MIRACLE TEMPLE ASSEMBLY OF GOD  
2457 UNDERLANE  
SILVER SPRING, MD 20910  
PH: (301) 986-8800

"MISS UTILITY"  
FOR LOCATION OF UTILITIES CALL  
1-800-495-3133  
OR VISIT OUR WEBSITE  
WWW.MISSUTILITY.COM

STORM DRAIN PROFILE FROM STR#3 TO STR#EX1

SCALE: 1" = 50' HORIZ.

NOTE: THE DIAMETER PIPE SIZE = 12" DIA. THEREFORE GRADE IS NOT REQUIRED.

DETAILS OF SPLITTER STRUCTURE #1  
NOT TO SCALE

STORM DRAIN PROFILE FROM STR#3 TO STR#EX1

SCALE: 1" = 50' HORIZ.

NOTE: THE DIAMETER PIPE SIZE = 12" DIA. THEREFORE GRADE IS NOT REQUIRED.

DETAILS OF SPLITTER STRUCTURE #1  
NOT TO SCALE

STORM DRAIN PROFILE FROM STR#3 TO STR#EX1

SCALE: 1" = 50' HORIZ.

NOTE: THE DIAMETER PIPE SIZE = 12" DIA. THEREFORE GRADE IS NOT REQUIRED.

DETAILS OF SPLITTER STRUCTURE #1  
NOT TO SCALE