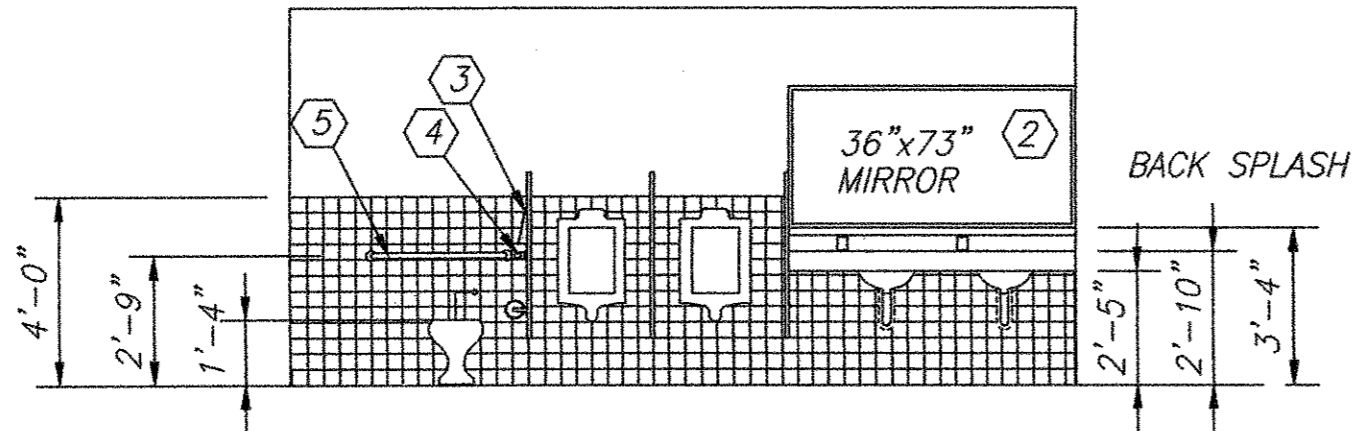
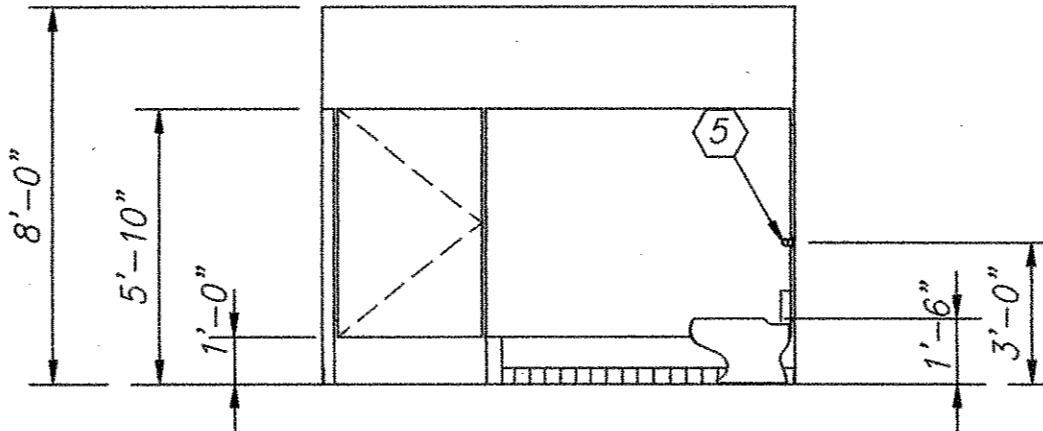


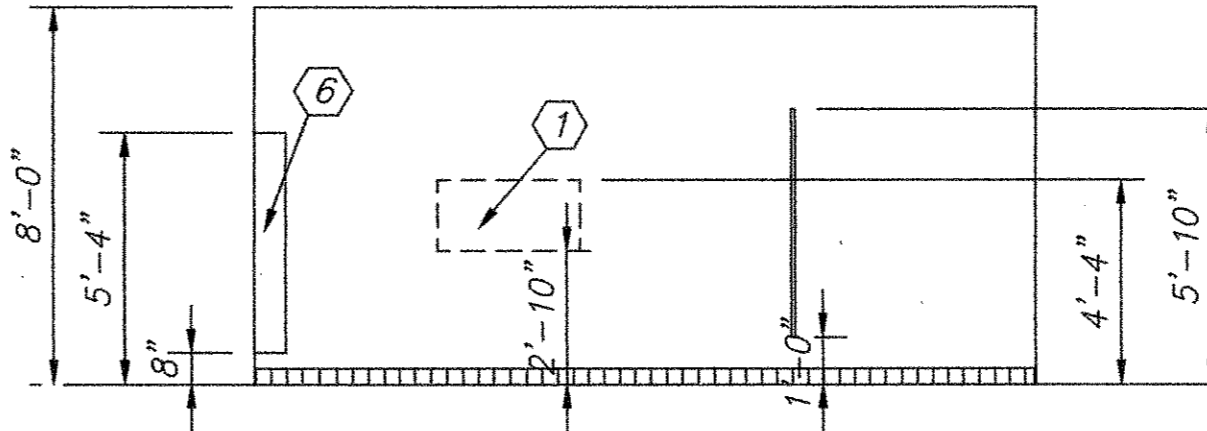
TOILETROOM ELEVATION 1 & 5
SCALE: 1/4"=1'-0"
NOTE: ELEVATION 5 OPPOSITE HAND



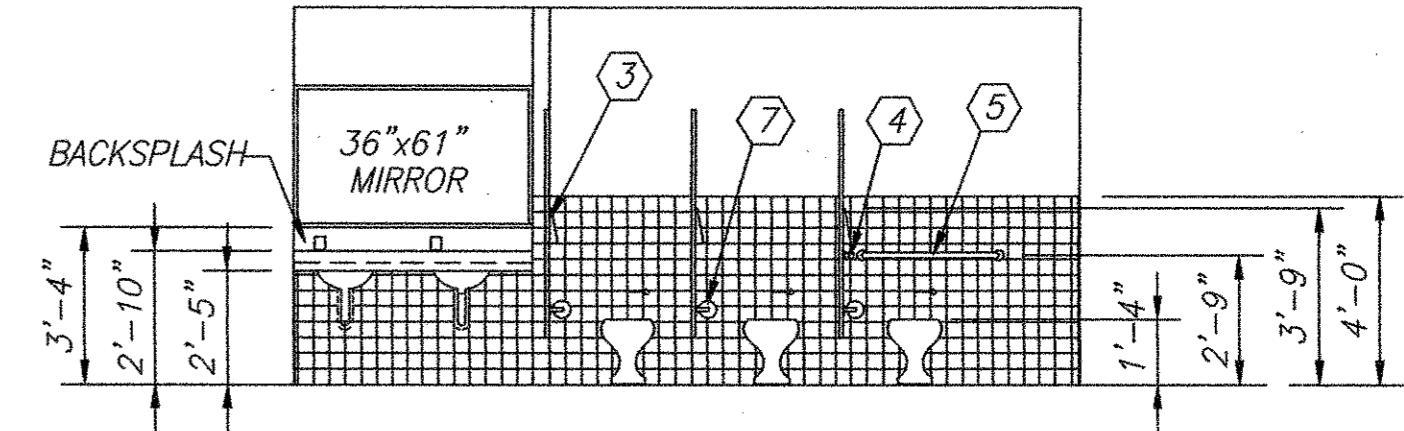
TOILETROOM ELEVATION 2
SCALE: 1/4"=1'-0"



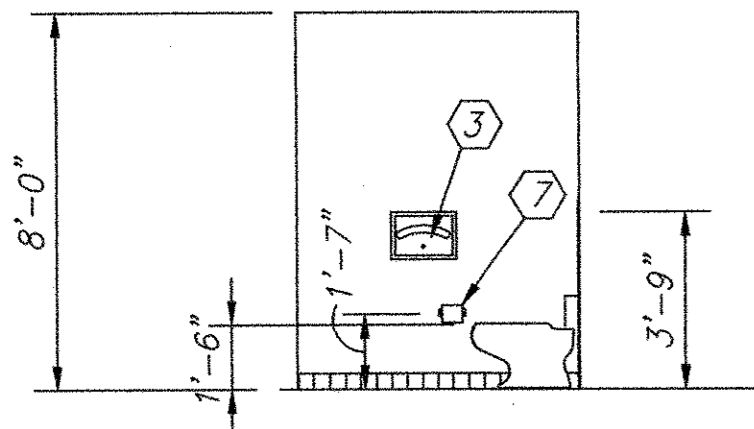
TOILETROOM ELEVATION 3 & 7
SCALE: 1/4"=1'-0"
NOTE: ELEVATION 7 OPPOSITE HAND



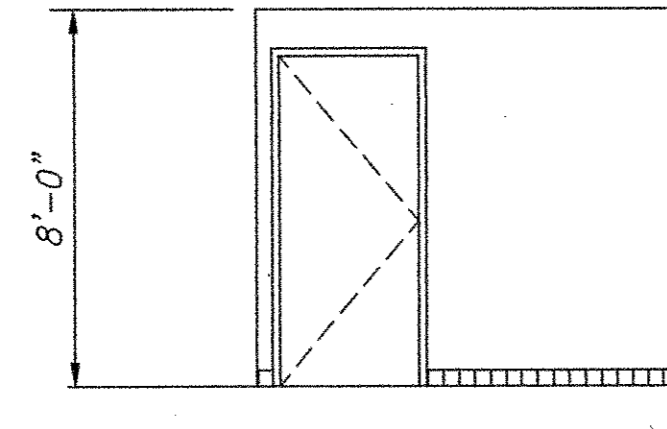
TOILETROOM ELEVATION 4 & 6
SCALE: 1/4"=1'-0"
NOTE: ELEVATION 6 OPPOSITE HAND



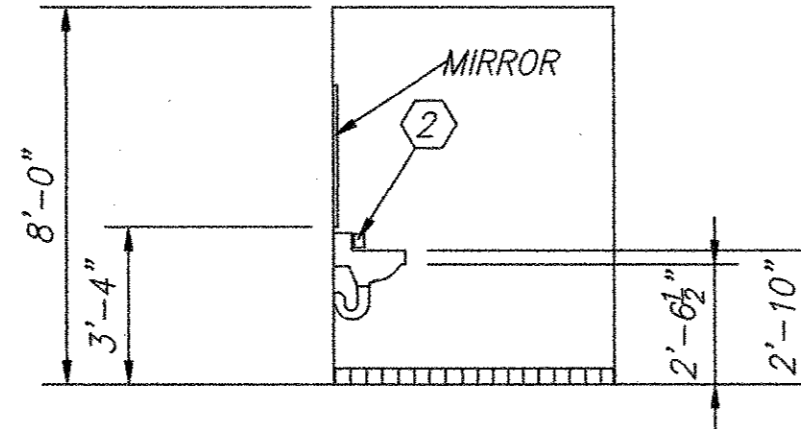
TOILETROOM ELEVATION 8
SCALE: 1/4"=1'-0"



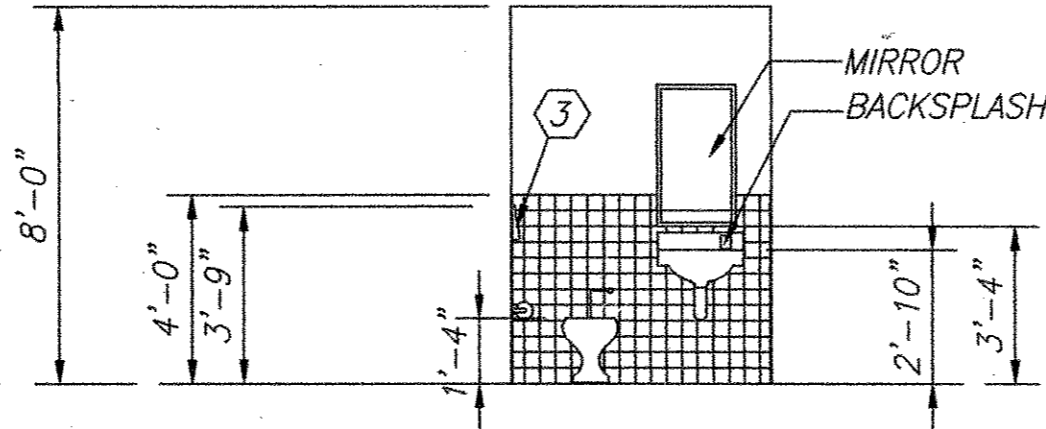
TOILETROOM ELEVATION 9
SCALE: 1/4"=1'-0"



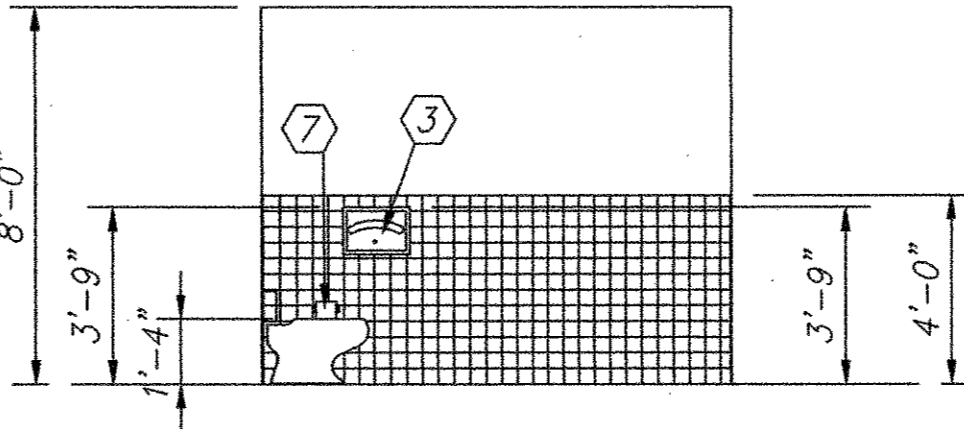
TOILETROOM ELEVATION 10
SCALE: 1/4"=1'-0"



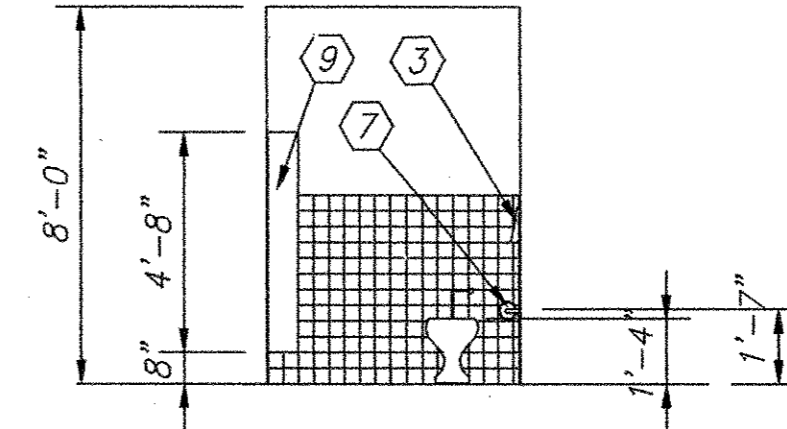
TOILETROOM ELEVATION 11
SCALE: 1/4"=1'-0"



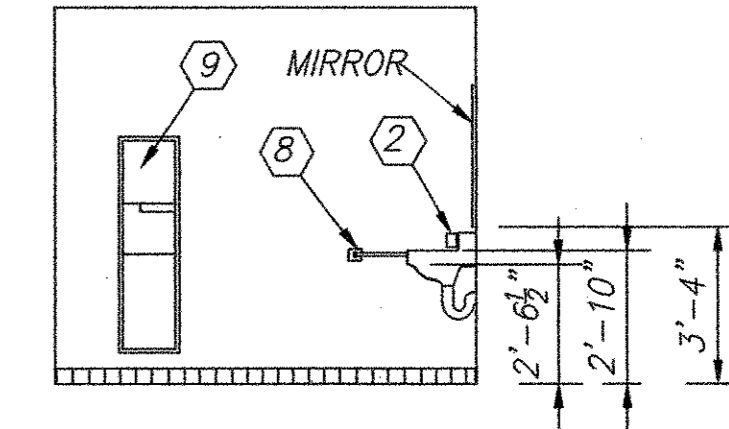
TOILETROOM ELEVATION 12
SCALE: 1/4"=1'-0"



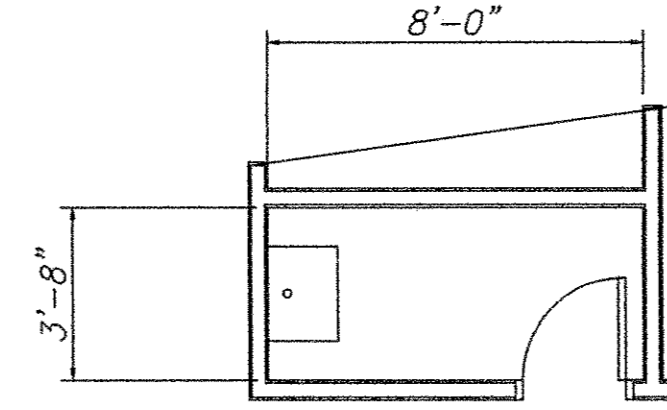
TOILETROOM ELEVATION 13
SCALE: 1/4"=1'-0"



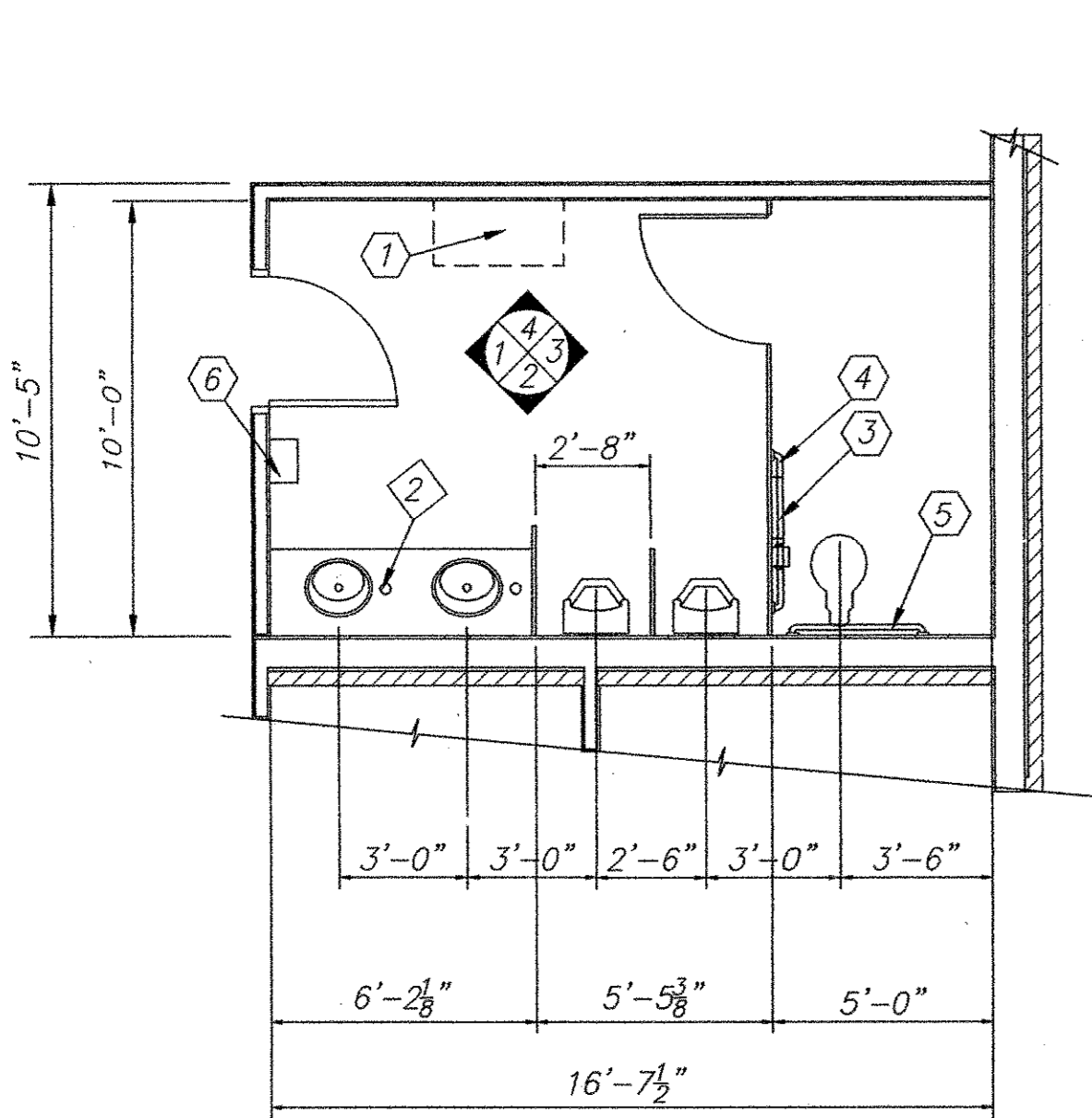
TOILETROOM ELEVATION 14
SCALE: 1/4"=1'-0"



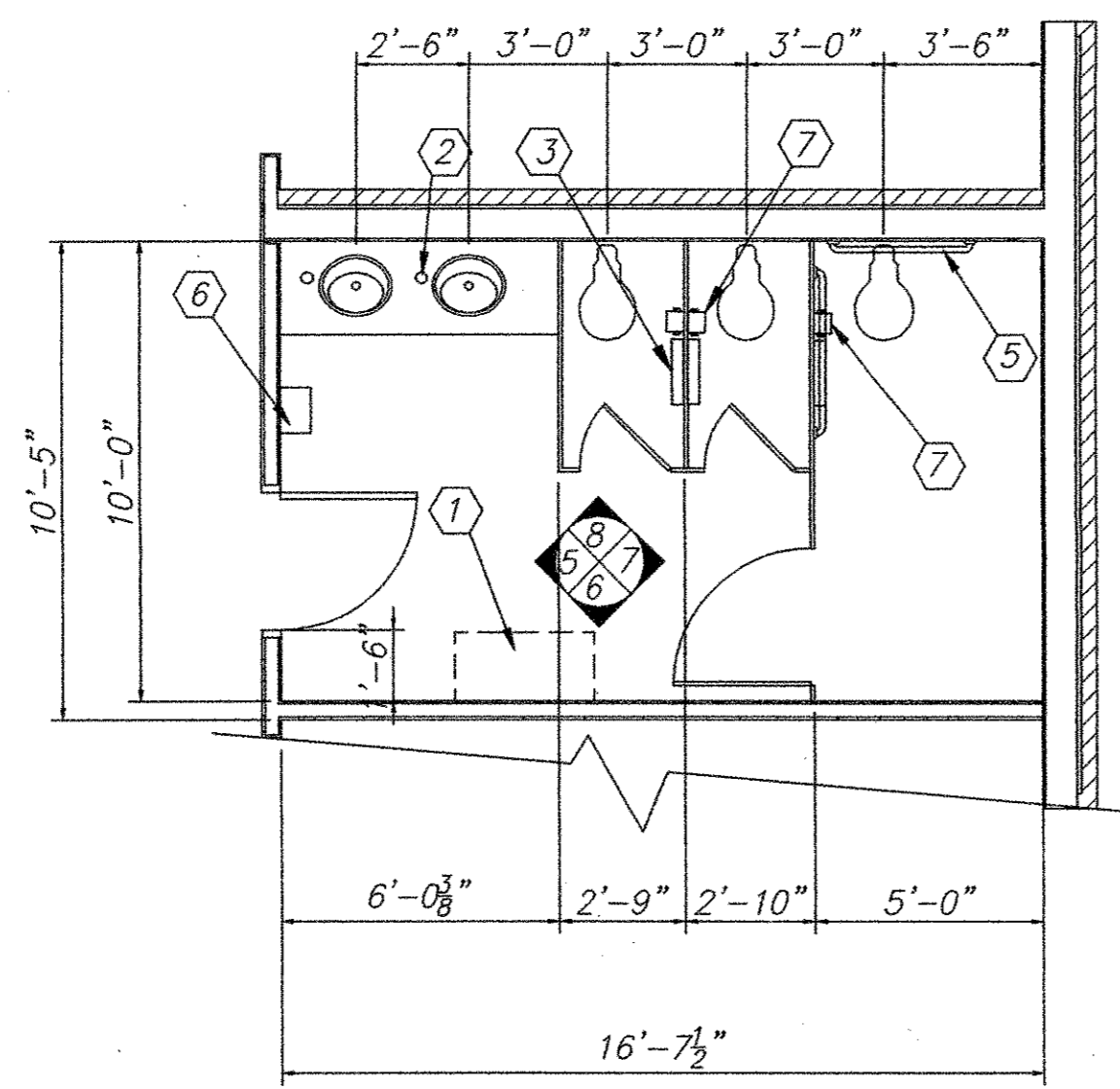
TOILETROOM ELEVATION 15
SCALE: 1/4"=1'-0"



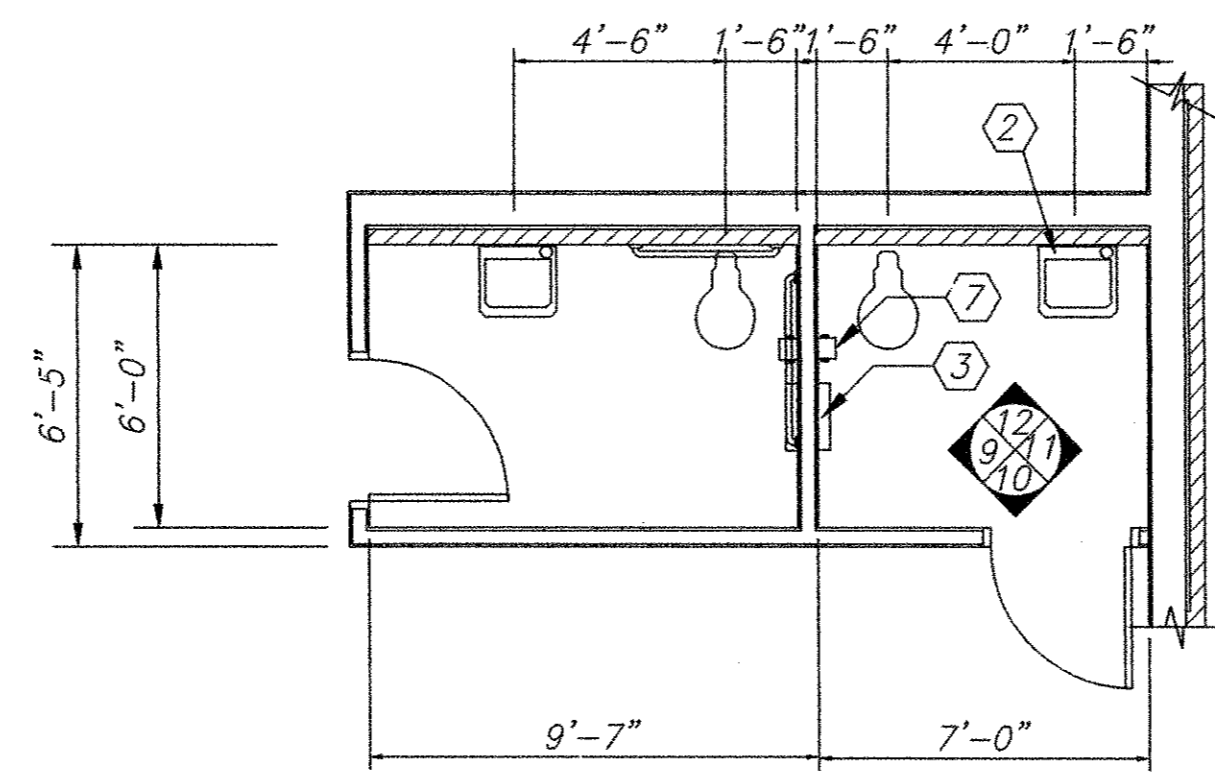
JANITOR'S CLOSET
SCALE: 1/4"=1'-0"



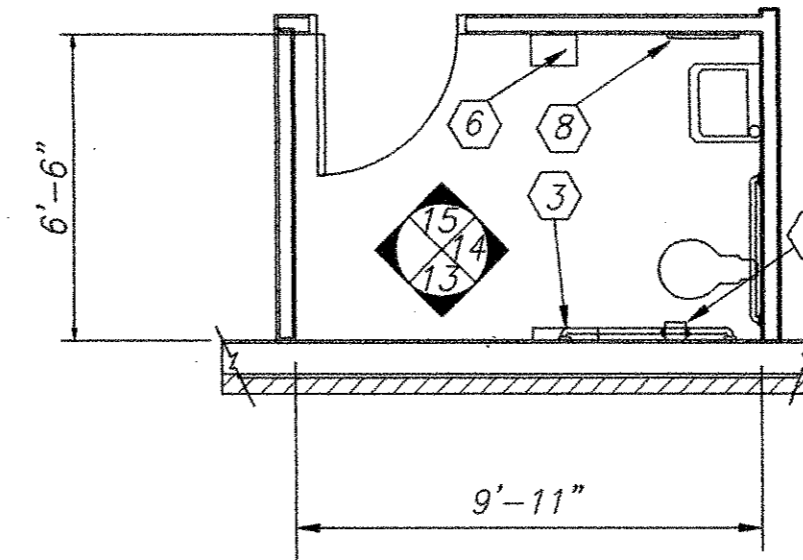
MEN'S ROOM
SCALE: 1/4"=1'-0"



WOMEN'S ROOM
SCALE: 1/4"=1'-0"



WOMEN'S & PASTOR'S TOILET ROOMS
SCALE: 1/4"=1'-0"



MEN'S TOILET
SCALE: 1/4"=1'-0"

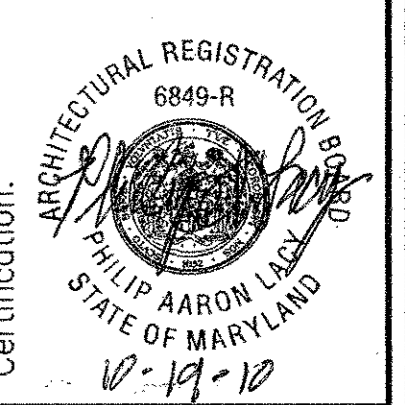
TOILETROOM ACCESSORIES

1. RETRACTABLE INFANT CHANGING TABLE	
2. SOAP DISPENSER	- BRADLEY MODEL NO. 6562
3. TOILET SEAT COVER DISPENSER	- BRADLEY MODEL NO. 5847
4. 42" GRAB BAR	- BRADLEY MODEL NO. 001
5. 36" GRAB BAR	- BRADLEY MODEL NO. 001
6. PAPER TOWEL DISPENSER AND RECEPTACLE	- BRADLEY MODEL NO. 234
7. TOILET PAPER DISPENSER	- BRADLEY MODEL NO. 505
8. TOWEL BAR	- AMERICAN SPECIALTIES MODEL NO. 7355
9. PAPER TOWEL DISPENSER AND RECEPTACLE	BRADLEY MODEL NO. 2291
10. SHOWER CURTAIN BAR	

- NOTES: 1. MANUFACTURER SELECTED FOR DESIGN STYLE ONLY.
2. WALLS WITHOUT TILE FINISH MUST BE GYP. BD PAINTED.

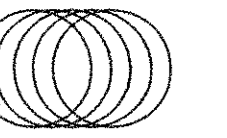
Revisions:

Consultants:



Project Title:
MIRACLE TEMPLE ASSEMBLY OF GOD
14111 ALDERTON ROAD
SILVER SPRING, MARYLAND 20906

TOILETROOM PLANS AND ELEVATIONS



Philip Aaron Lacy, Architect
6188 Oxon Hill Road, Suite 303
Oxon Hill, Maryland 20745
Phone: 301-567-8223

Date: OCT. 12, 2010
Scale: 1/4"=1'-0"
Drawn: FCB
Checked: PAL
File No. MTAG_A07

Drawing No.

A-7

Professional Certification: I hereby certify that these documents were prepared or approved by me, and that I am duly licensed professional architect under the laws of the State of Maryland Architectural License number 6849 with expiration date of 11/18/2011.