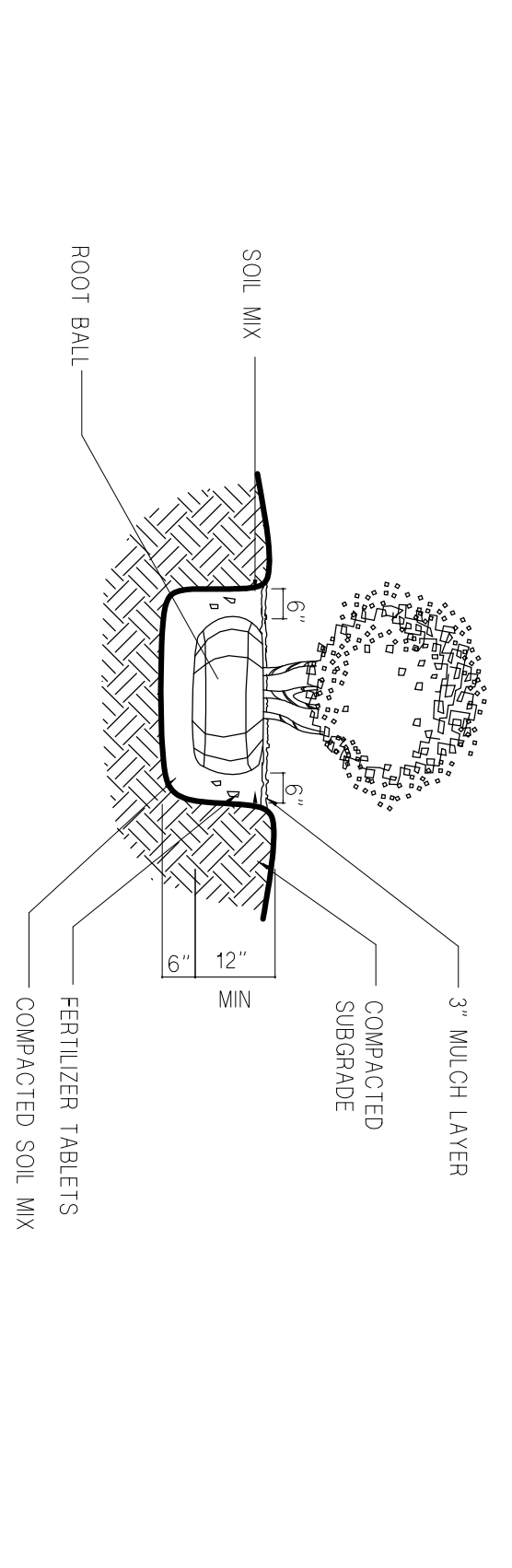


Category	Item	Quantity	Unit
TOTAL	Area	72,046.90	Sq. Ft.
	Acres	1.65	
TOTAL	Permit Fee	72,046.90	
	Net Area	1.65	
MU1 - Landscape Data	Minimum Shade Coverage	60.241	Required
	Actual Coverage	60.241	Provided
Tree Requirement	1.65 acres x 15 =	24.75 points	
	Small Trees = 24.75 x 20% =	4.95 points	
	Medium Trees = 24.75 x 10% =	2.47 points	
	Large Trees = 24.75 x 10% =	2.47 points	
Large tree substitution		2.47 points / 2 =	1.235 points
Total Medium Tree Points			3.70 points
Parking Lot Landscaping			
Landscape Adjacent to Street - 60.252			
Canopy Tree Requirement: 3 points per 100 sf		5.14	18 points
5.14 x 3 =			15.42 points
Landscape Adjacent to Contiguous Properties - 60.283			
Canopy Tree Requirement: 2 points per 100 sf		11.1 points	12 points
5.55 x 2 =			11.1 points
Landscape in Interior Areas - 60.234			
28,009.15 x 2.5% =		701.47 sf	2,437 sf
701.47 sf / 100 =		7.01 points	8 points
Total Canopy Tree Points			38 points
Trees Provided			
Canopy: 38.3 (med installed native) =		2	11
Understory: (small installed native) =		N/A	12

GENERAL PLANTING NOTES:

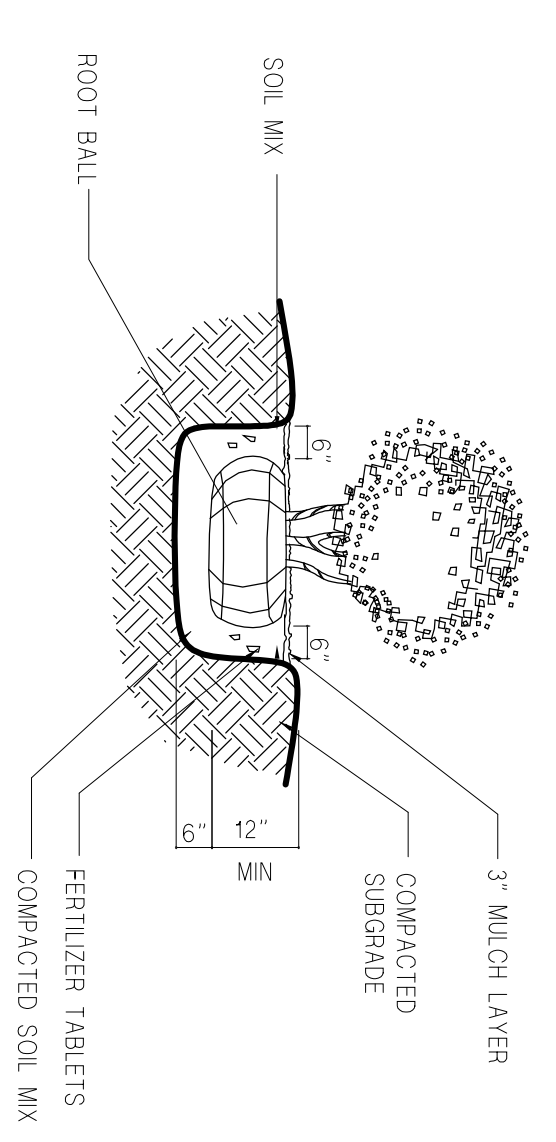
- IRRIGATION IS REQUIRED. SEE SHEET 1.3 FOR MORE INFO. REMOVE AUTOMATIC RAIN SENSOR NO INDIVIDUAL PUMP SHALL EXCEED 25 HORSEPOWER-TREE IRRIGATION PLAN
- PLANTS IN PART 1, 2, 3, 4, 5, 6, 7, 8, 9, 10, 11, 12, 13, 14, 15, 16, 17, 18, 19, 20, 21, 22, 23, 24, 25, 26, 27, 28, 29, 30, 31, 32, 33, 34, 35, 36, 37, 38, 39, 40, 41, 42, 43, 44, 45, 46, 47, 48, 49, 50, 51, 52, 53, 54, 55, 56, 57, 58, 59, 60, 61, 62, 63, 64, 65, 66, 67, 68, 69, 70, 71, 72, 73, 74, 75, 76, 77, 78, 79, 80, 81, 82, 83, 84, 85, 86, 87, 88, 89, 90, 91, 92, 93, 94, 95, 96, 97, 98, 99, 100
- GRASS SOD SHALL BE CLEAN AND REASONABLY FREE OF WEED AND NOXIOUS PESTS OR DISEASES. BY THE SQUARE FOOT, SOD MUST BE 90% SPECIES (ST. AUGUSTINE)
- ALL AREAS NOT DEDICATED TO BUILDINGS, DRIVEWAYS, WALKWAYS OR LANDSCAPING SHALL BE SODED
- PLANTING SOIL SHALL BE CLEAR AND REASONABLY FREE OF CONSTRUCTION DEBRIS, WEEDS AND ROCKS
- THE PLANTING SOIL FOR ALL PLANTING AREAS SHALL BE COMPOSED OF A MINIMUM OF 30% MUCK OR FOR SODED GRASS AREAS & 4" FOR PLANTING BEDS
- ALL TREES, SHRUBS AND GROUND COVER AREAS MUST USE PLANTING SOIL IN INSTALLATION
- MULCH: A MINIMUM OF 3" OF SETTLED CLEAN, NONCOMPRESS GRADE B SHREDED MULCH SHALL BE USED
- AROUND TREES & SHRUBS SHALL NOT BE PLANTED WITH A MINIMUM OF 6" OF PLANTING SOIL AROUND THE
- HOLES AND BE ROCK FREE
- ALL TREES AND PLANTS SHALL BE PROPERLY COVERED AND STAKED AT THE TIME OF PLANTING TO ENSURE
- STAKES ARE PROPERLY PLACED TO PREVENT DAMAGE TO THE TREE AND TO PREVENT STAKING OR OTHER METHODS WHICH CAUSE
- COSMETIC OR BIOLOGICAL DAMAGE TO THE TREE ARE PROHIBITED.

CANOPY TREE PLANTING DETAIL



NOT TO SCALE

SHRUB PLANTING DETAIL



NOT TO SCALE

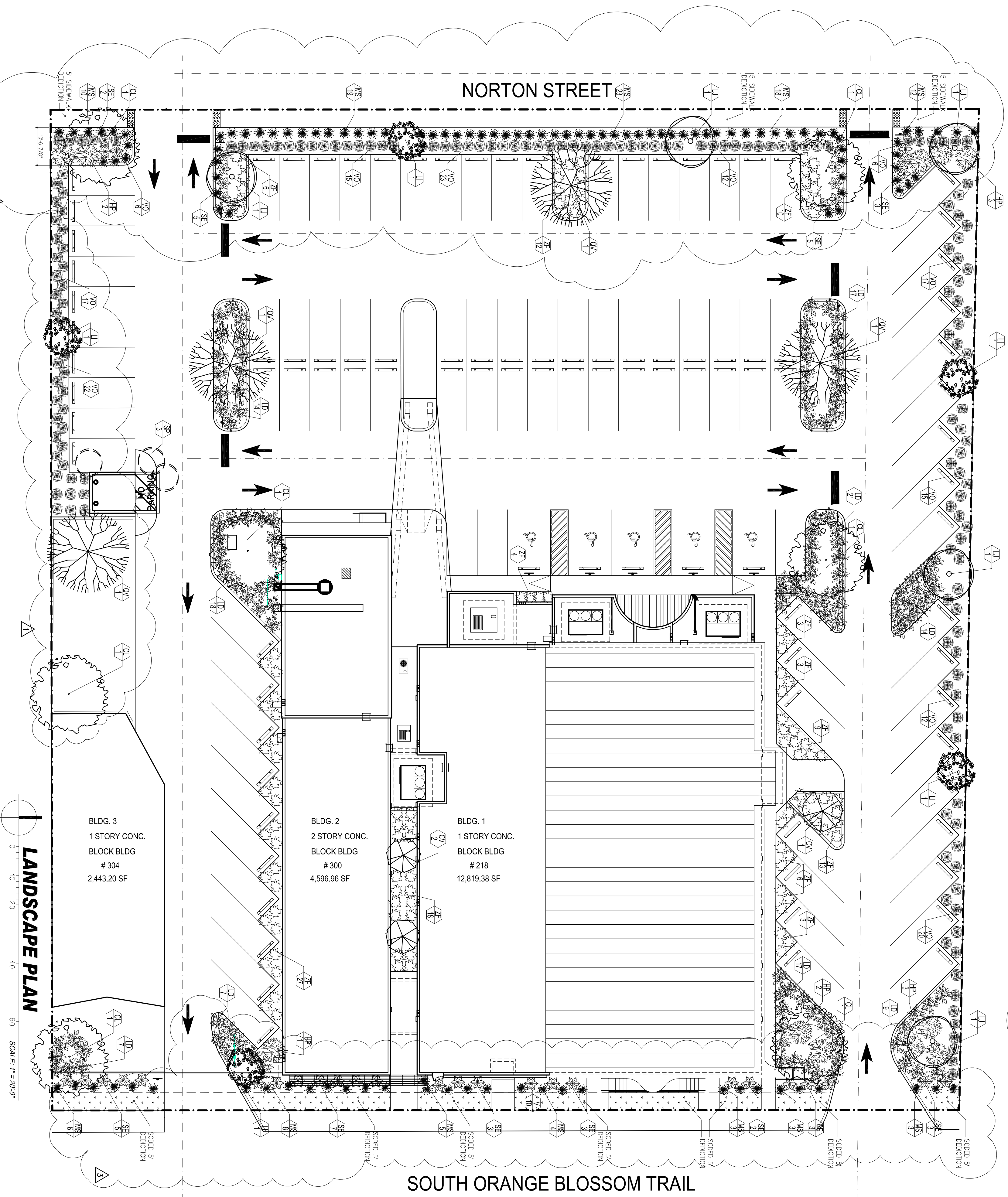
SHRUB AND GROUND COVER SCHEDULE

SYMBOL USED ON PLAN	PLANT NAME	NATIVE SPECIES		HEIGHT	QUANTITY	COMMENTS
		Yes	No			
HP	Hamelia Patens	*	*	2'-6"	11	Shrub, maintain at 4'-0" max. ht.
VO	Viburnum Obovatum	*	*	1'-6"	165	Shrub, plant at 36" O.C.
SE	Sabal Elona	*	*	1'-6"	40	Shrub, plant at 42"-48" O.C.
ZF	Zamia Florida	*	*	1'-6"	117	Ground Cover, plant at 42" O.C.
MS	Muhlenbergia spp.	*	*	1'-6"	114	Ground Cover, plant at 36"-42" O.C.
LD	Lantana Depressa	*	*	6" - 9"	120	Ground Cover, plant at 18"-32" O.C.
TOTAL					567	

TREE SCHEDULE

SYMBOL USED ON PLAN	PLANT NAME	NATIVE SPECIES		CALIPER	HEIGHT	QUANTITY	COMMENTS
		Yes	No				
SP	Sabal Palmetto	*	*	-	15'-0"	3	To be removed
CL	Celtis Laevigata	*	*	-	15'-0"	7	
OV	Quercus Virginiana	*	*	-	15'-0"	4	
LI	Lagerstroemia Indica	*	*	-	15'-0"	5	
CV	Chionanthus virginicus	*	*	-	12'-0"	3	
LI	Ligustrum Japonicum	*	*	-	12'-0"	5	
U	Waxleaf Privet	*	*	-	20'-0"	5	
TOTAL						24	

C : Canopy Trees U : Understory Trees
Contact the Bureau of Parks (407) 246-2283 for a tree removal permit before removing any 4" caliper or larger trees.



LANDSCAPE PLAN

SCALE 1" = 20'-0"

RAMOSMARTINEZ
ARCHITECTS, INC. AA 26000528

MIAMI: 521 N.W. 12th AVENUE, MIAMI, FL 33136
TELEPHONE: 305-548-3220
FACSIMILE: 305-548-3220
WEBSITE: www.ramarc.com

NEW YORK: 11 ERIE STREET, JERSEY CITY, NJ 07302
PHONE: 201-974-3006

DATE: 07/14/2008
DRAWN BY: [Name]
CHECKED BY: [Name]

COMM. NO.: 06-103

REVISIONS:
1. [Description]
2. [Description]

LANDSCAPE:
ORANGE BLOSSOM TRAIL
ORLANDO, FLORIDA

308 SOUTH
ORANGE BLOSSOM TRAIL
ORLANDO, FLORIDA

FIRST HAITIAN
FREE CHURCH
OF NAZARENE

First Haitian Free Church of Nazarene by Faith
ORLANDO, FLORIDA

