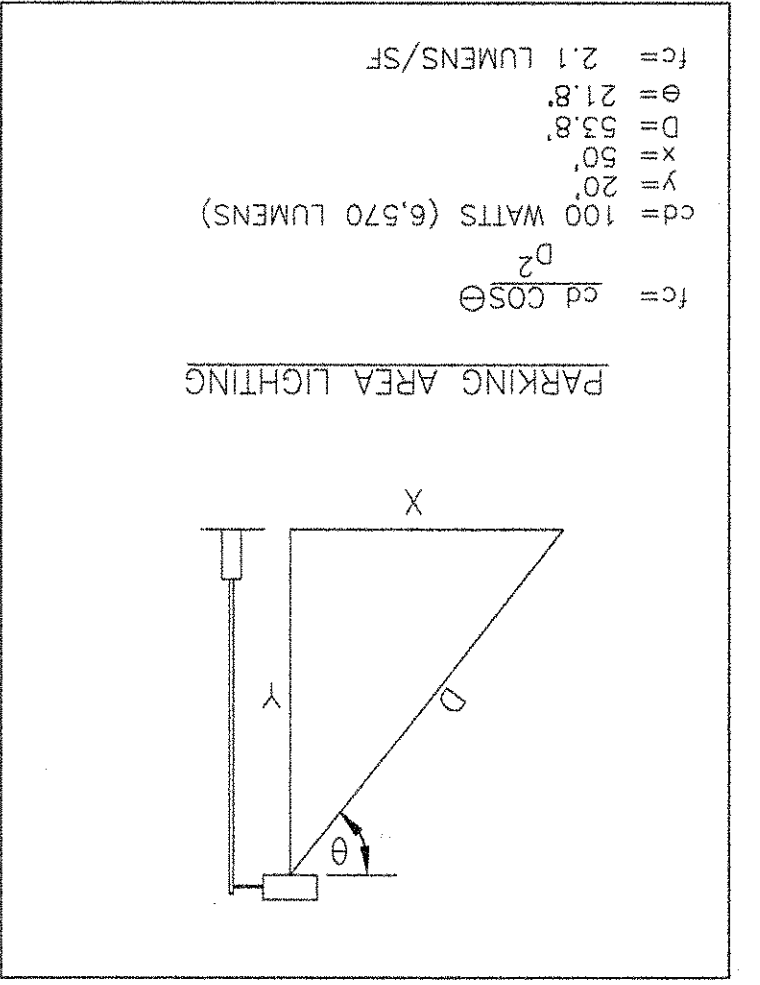
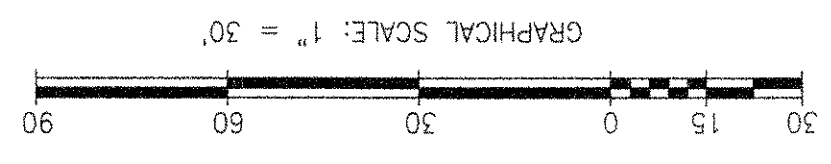
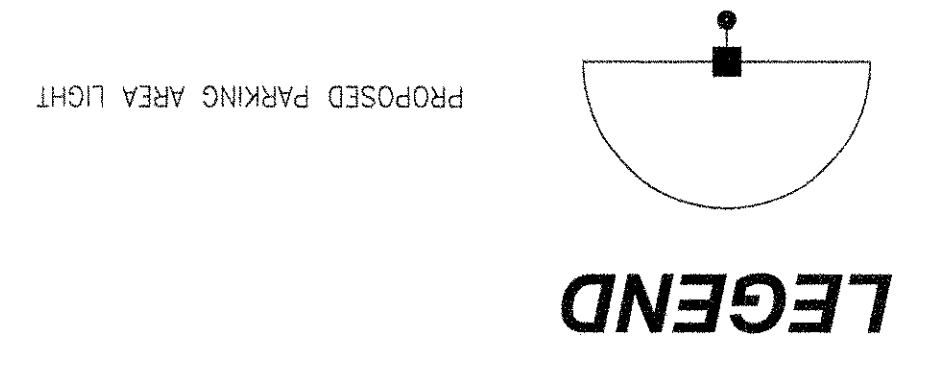


THIS SHEET FOR LIGHTING PURPOSES ONLY!



- NOTES:
1. SEE ARCHITECTURALS FOR BUILDING MOUNTED LIGHT DETAILS.
 2. PROPOSED PARKING LIGHTING FIXTURES TO MATCH BUILDING MOUNTED LIGHTS OR SHALL BE EQUIVALENT IN DESIGN.
 3. POLE MOUNTED LIGHTS SHALL BE INSTALLED BEHIND FACE OF CURB OR SIDEWALK, 18" FROM CURB FACE OR EDGE OF SIDEWALK TO FACE OF CONCRETE POLE BASE.
 4. FOLLOW MANUFACTURER'S RECOMMENDATIONS FOR POLE AND LIGHTING INSTALLATION.
 5. SEE ELECTRICAL PLANS FOR CONDUIT ROUTING, WIRING SPECIFICATIONS AND POWER SOURCE.



7766

McGraw-Edison

CATALOG #7

REPRODUCTION FEATURES:

- A. Reproduction of drawings and specifications for the purpose of providing a true and correct representation of the original drawing and specifications.
- B. Reproduction of drawings and specifications for the purpose of providing a true and correct representation of the original drawing and specifications, provided that the reproduction is made from a drawing or specification that has been approved by the original author.
- C. Reproduction of drawings and specifications for the purpose of providing a true and correct representation of the original drawing and specifications, provided that the reproduction is made from a drawing or specification that has been approved by the original author, and that the reproduction is made in accordance with the requirements of the applicable laws and regulations.
- D. Reproduction of drawings and specifications for the purpose of providing a true and correct representation of the original drawing and specifications, provided that the reproduction is made from a drawing or specification that has been approved by the original author, and that the reproduction is made in accordance with the requirements of the applicable laws and regulations, and that the reproduction is made in accordance with the requirements of the applicable laws and regulations.

APPLICATION:

This drawing is intended for use as a reproduction of the original drawing and specifications, and is not to be used as a substitute for the original drawing and specifications. The reproduction is provided for the convenience of the user, and is not to be used for any other purpose.

REPRODUCTION FEATURES:

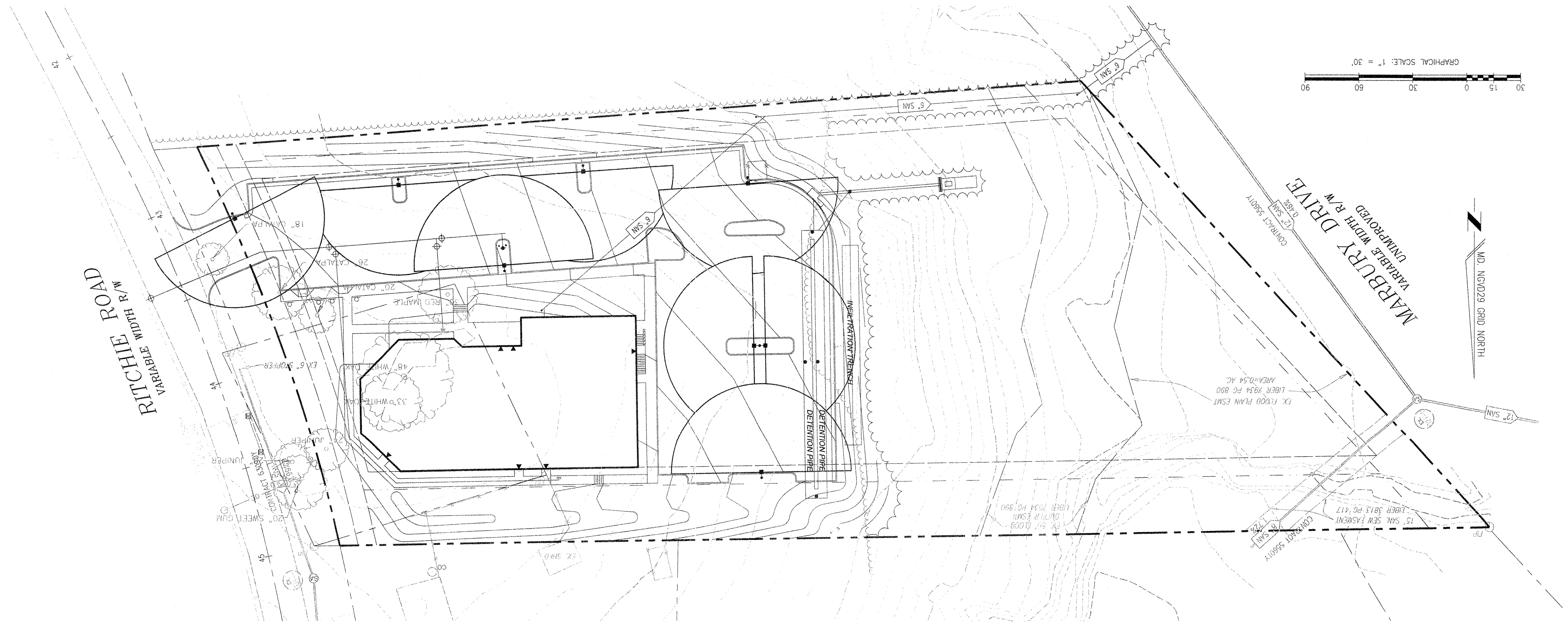
- A. Reproduction of drawings and specifications for the purpose of providing a true and correct representation of the original drawing and specifications.
- B. Reproduction of drawings and specifications for the purpose of providing a true and correct representation of the original drawing and specifications, provided that the reproduction is made from a drawing or specification that has been approved by the original author.
- C. Reproduction of drawings and specifications for the purpose of providing a true and correct representation of the original drawing and specifications, provided that the reproduction is made from a drawing or specification that has been approved by the original author, and that the reproduction is made in accordance with the requirements of the applicable laws and regulations.
- D. Reproduction of drawings and specifications for the purpose of providing a true and correct representation of the original drawing and specifications, provided that the reproduction is made from a drawing or specification that has been approved by the original author, and that the reproduction is made in accordance with the requirements of the applicable laws and regulations, and that the reproduction is made in accordance with the requirements of the applicable laws and regulations.

CAUTION - NOTICE TO CONTRACTOR

THE CONTRACTOR IS SPECIFICALLY CAUTIONED THAT THE LOCATION AND/OR ELEVATION OF EXISTING UTILITIES AS SHOWN ON THESE PLANS IS BASED ON RECORDS OF THE VARIOUS UTILITY COMPANIES AND, WHERE POSSIBLE, FIELD SURVEY DATA. THE CONTRACTOR MUST CALL THE APPROPRIATE UTILITY COMPANY AT LEAST 48 HOURS BEFORE ANY EXCAVATION TO REQUEST EXACT FIELD LOCATION OF UTILITIES. IT SHALL BE THE RESPONSIBILITY OF THE CONTRACTOR TO RELOCATE ALL EXISTING UTILITIES WHICH CONFLICT WITH THE PROPOSED IMPROVEMENTS SHOWN ON THE PLANS AND TO VERIFY THE EXACT LOCATION OF ALL EXISTING UTILITIES PRIOR TO COMMENCEMENT OF CONSTRUCTION ACTIVITIES.

M.N.C.P.R.C. APPROVALS

FILE NO.	MDPG-19D09-01
SHEET	1 OF 1
PROJECT:	BETH SHALOM AME ZION CHURCH
PROJECT NAME:	6TH ELECTION DISTRICT PRINCE GEORGE'S COUNTY, MARYLAND
DRAWING NAME:	19D09-1CP-REV
DATE:	AUGUST 2007
SCALE:	1"=30'



WE Inc.
 Williams Enterprises Incorporated
 18 Mosby Lane Stafford, Virginia 22556
 540-286-3710 and 540-286-0345 Fax
 weinfo@hughes.net

WARDER
 Your Church Builder
 Phone: (301) 868-5900
 Toll Free: (800) 732-7266
 Fax: (301) 868-5740
 www.wardergroup.com

REVISIONS: