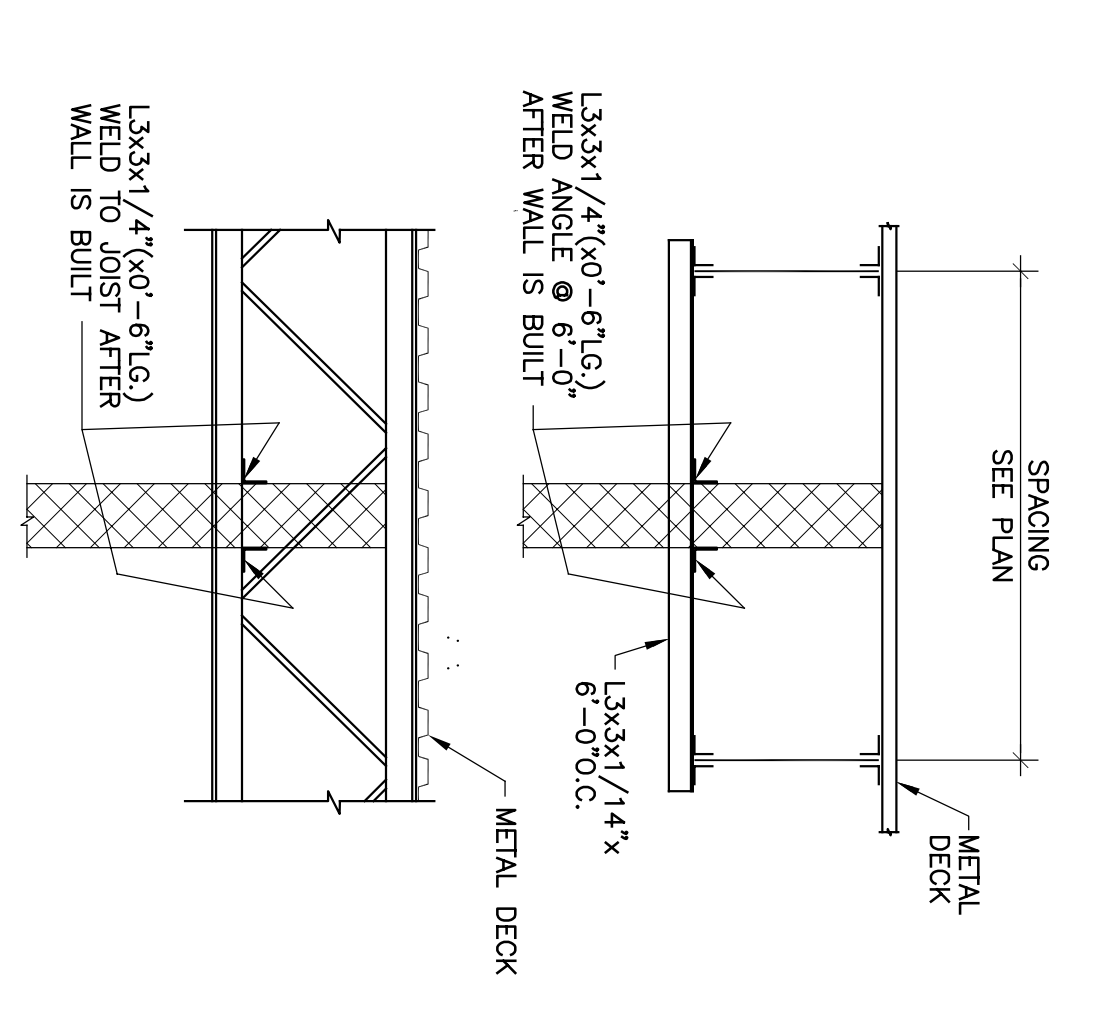
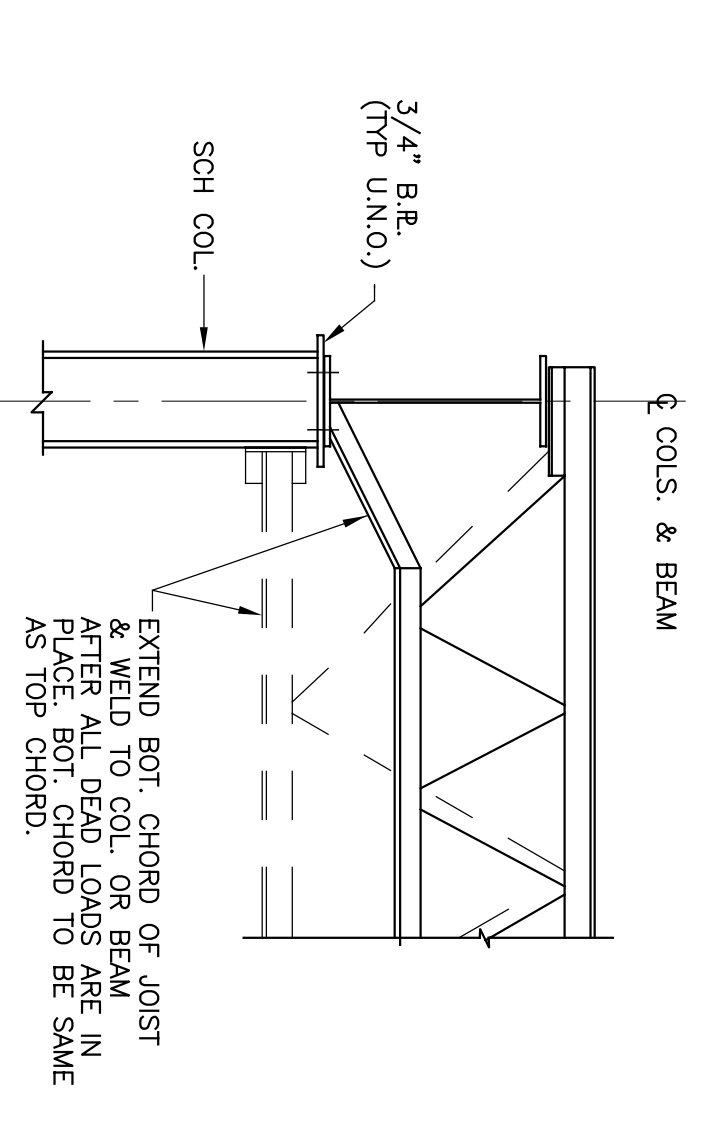


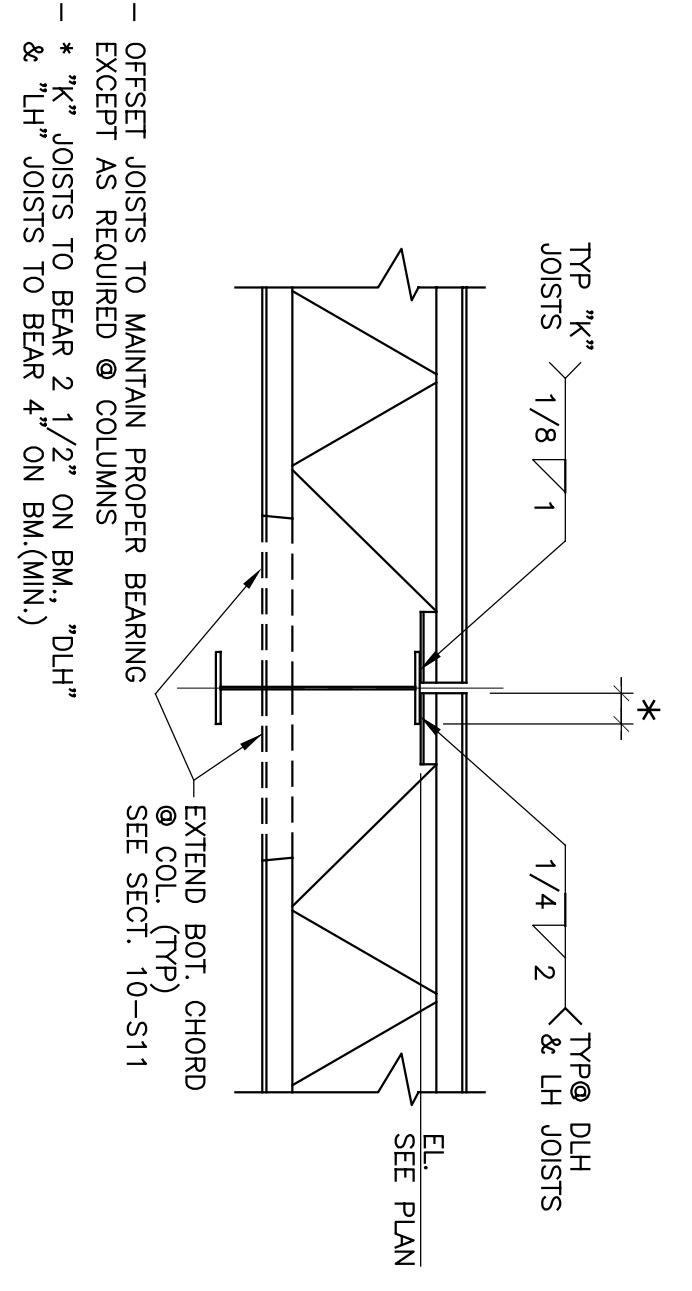
TYPICAL FLOOR SLAB  
DETAIL 1-S8  
N.T.S.



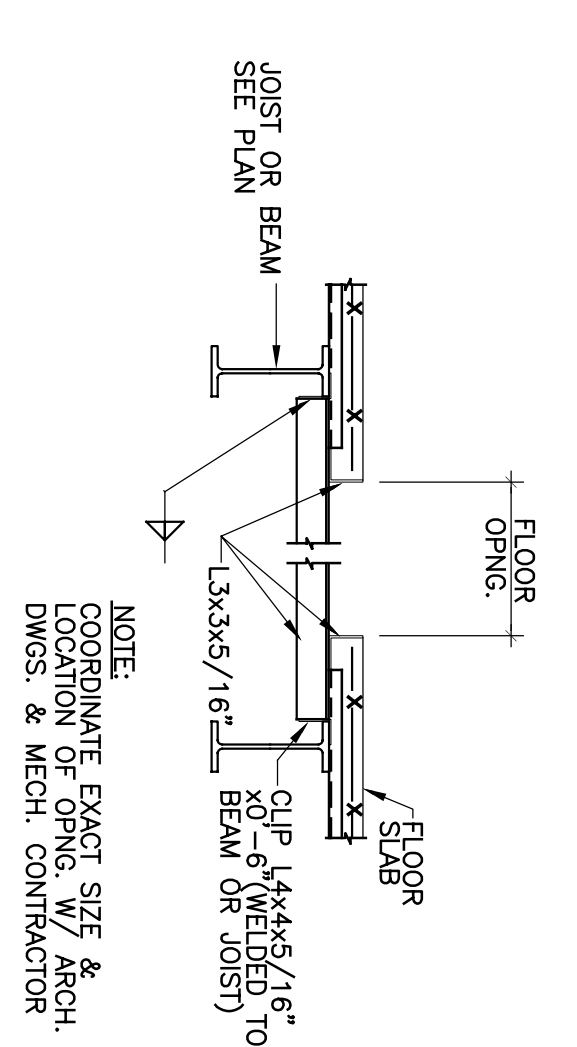
TYPICAL LATERAL SUPPORT  
OF INTERIOR MSY. WALLS  
DETAIL 2-S8  
N.T.S.



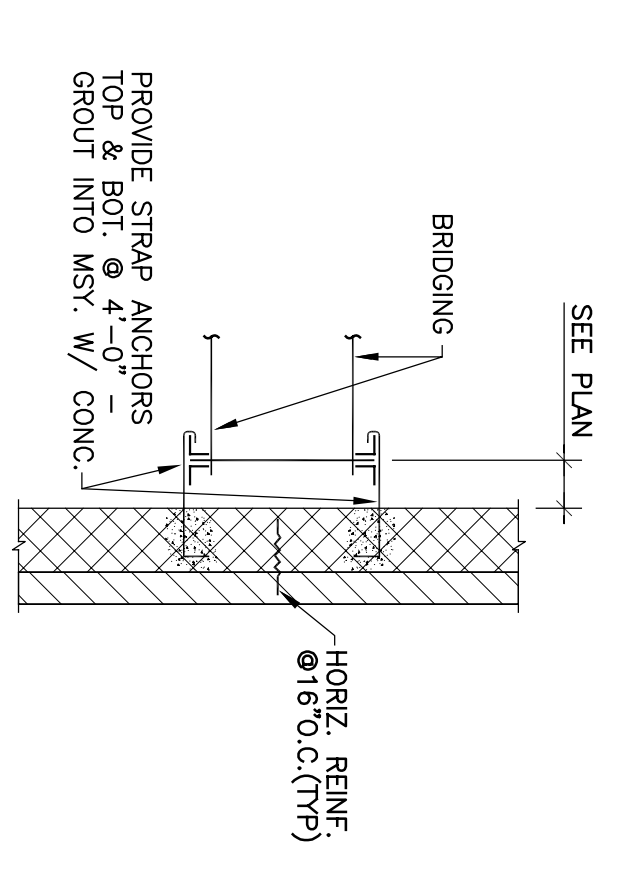
TYPICAL JOIST @ COL.  
DETAIL 6-S8  
N.T.S.



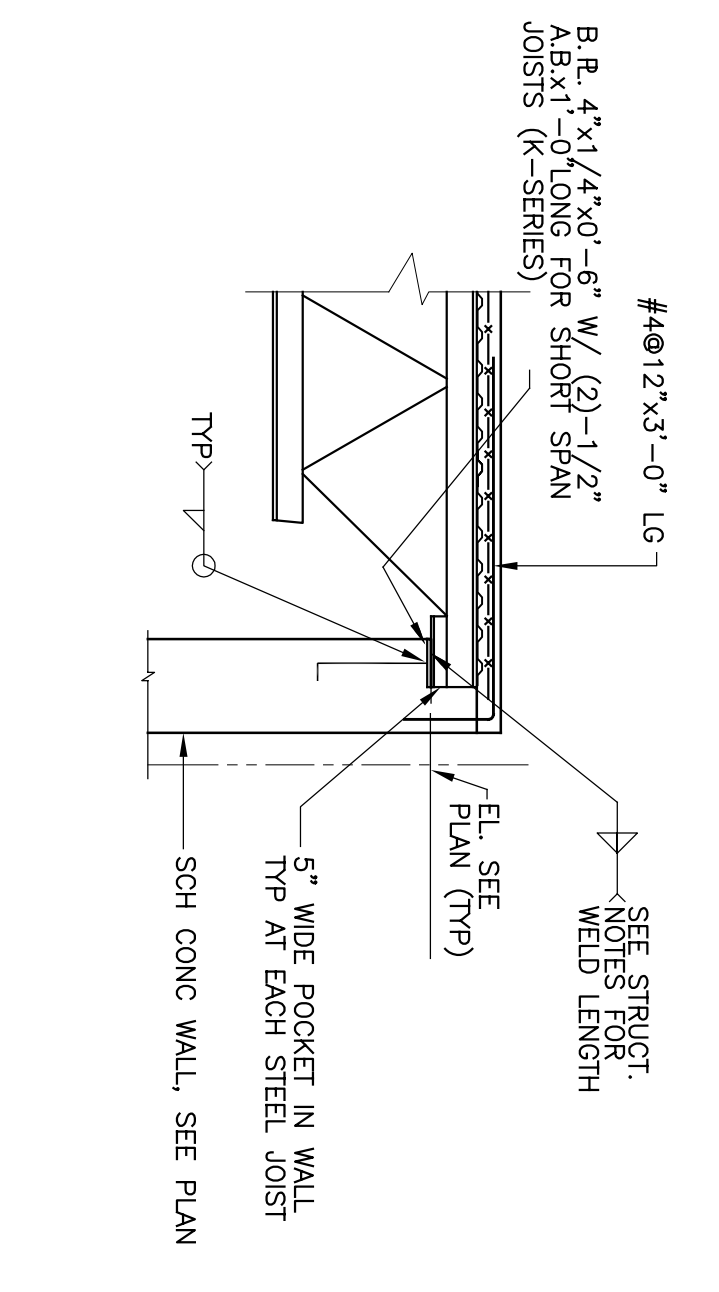
TYPICAL STEEL JOIST  
BEARING ON STEEL BEAM  
DETAIL 7-S8  
N.T.S.



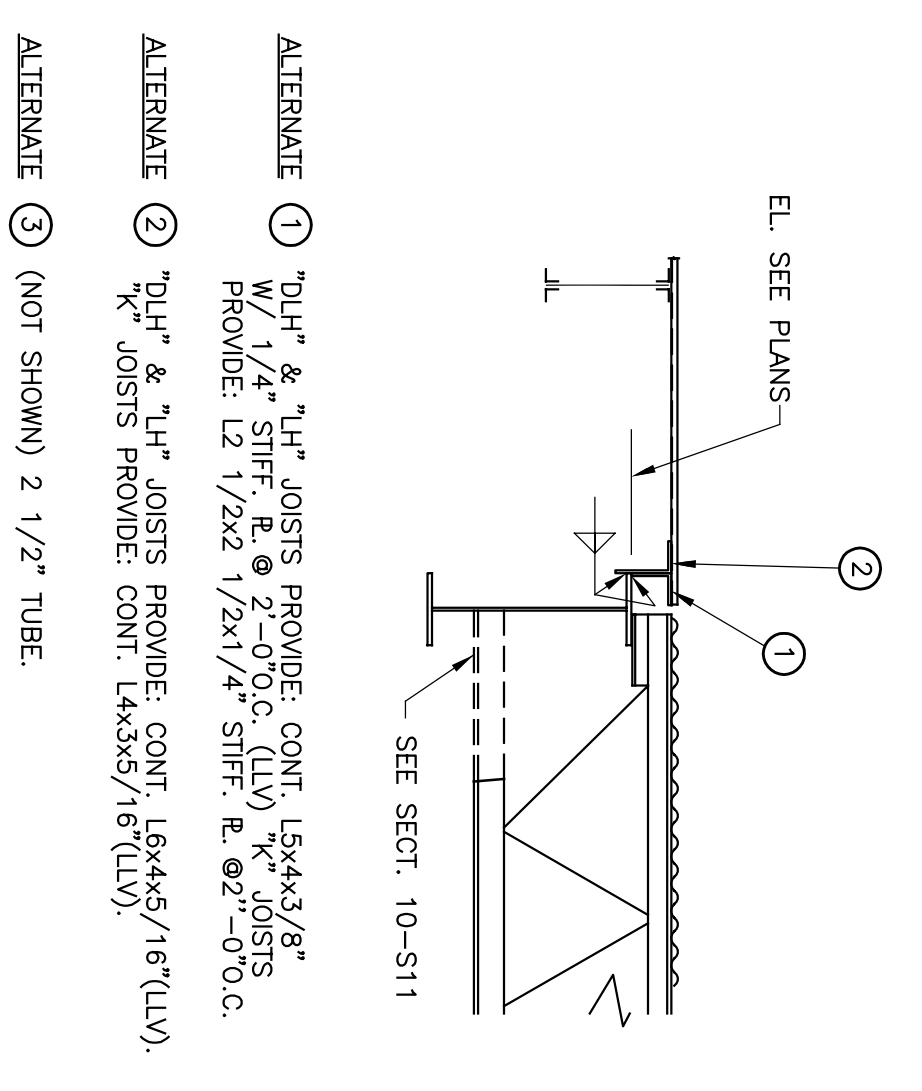
TYPICAL FLOOR OPENING  
DETAIL 11-S8  
N.T.S.



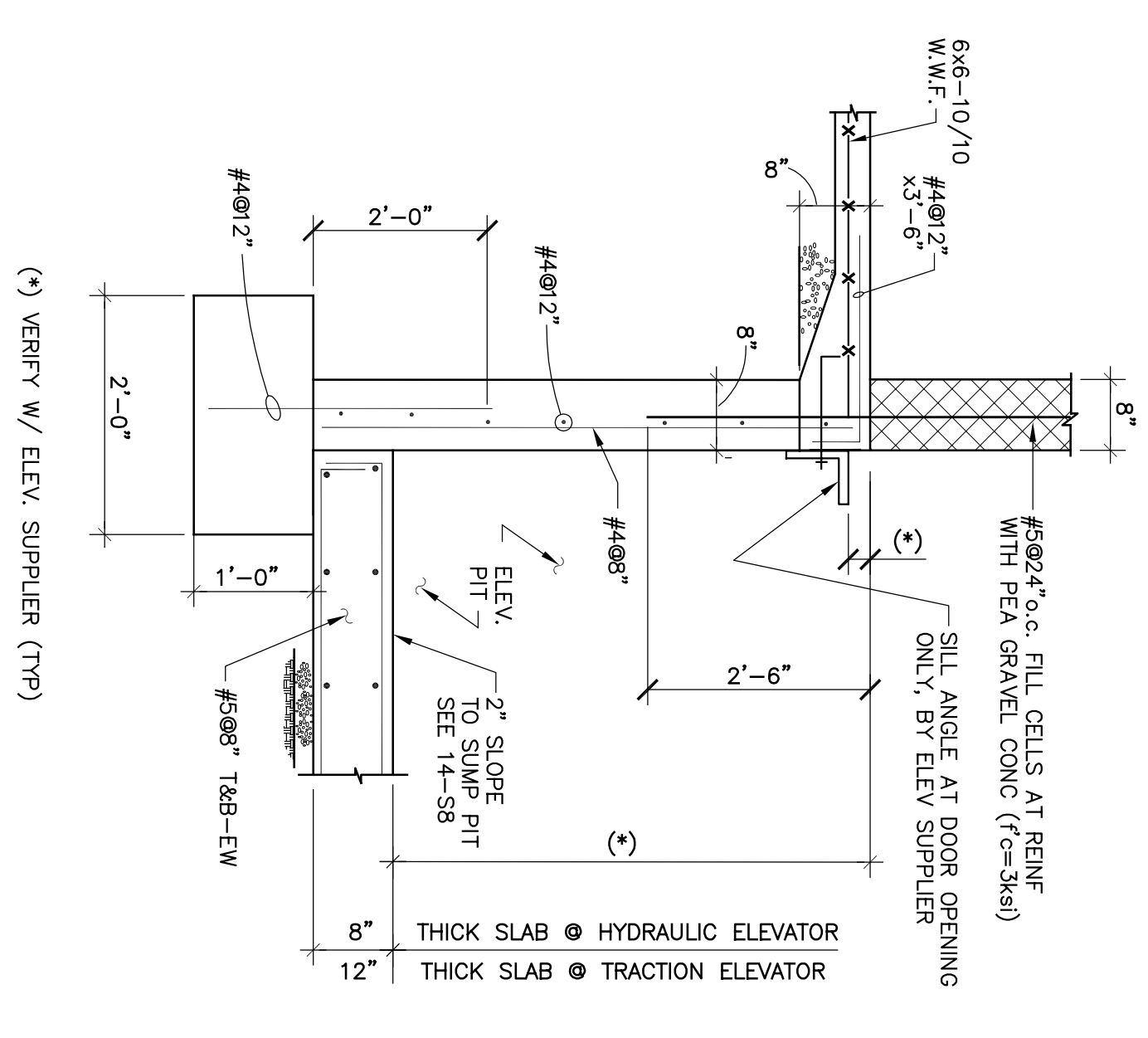
TYPICAL STEEL JOIST  
PARALLEL TO WALL  
DETAIL 12-S8  
N.T.S.



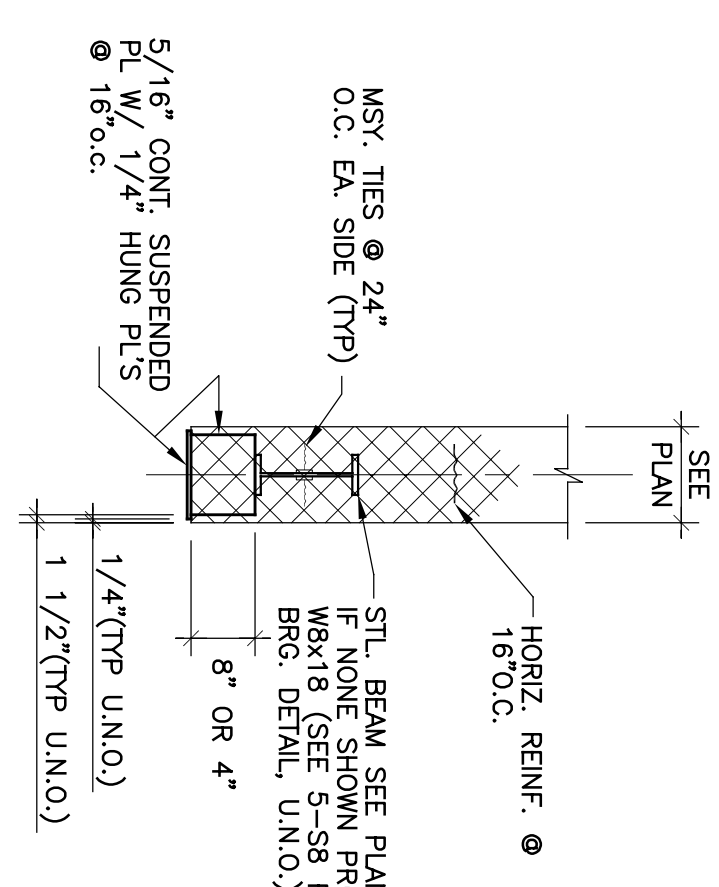
TYPICAL STEEL JOIST  
BEARING ON CONC / MASONRY  
DETAIL 3-S8  
N.T.S.



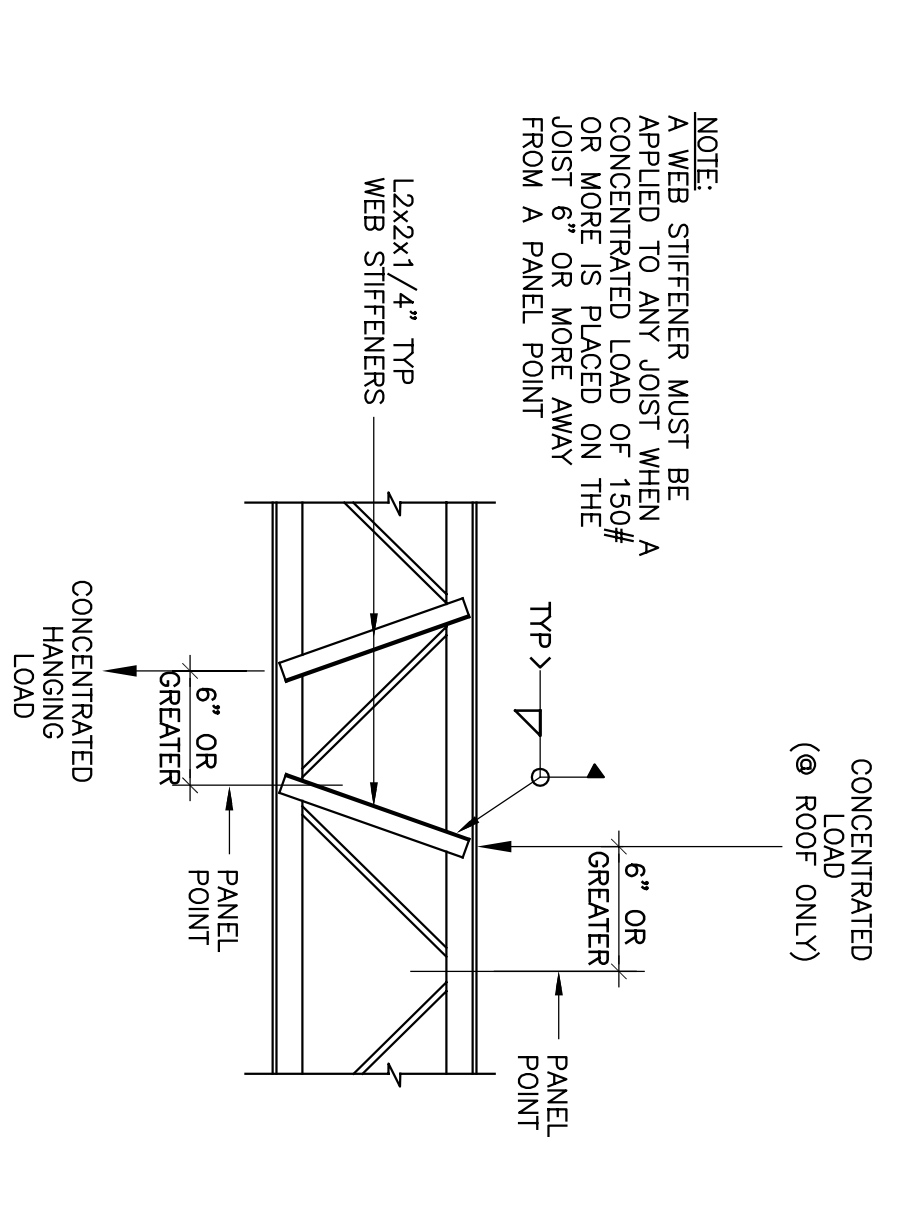
TYPICAL CHANGE IN  
DIRECTION OF FRAMING  
DETAIL 8-S8  
N.T.S.



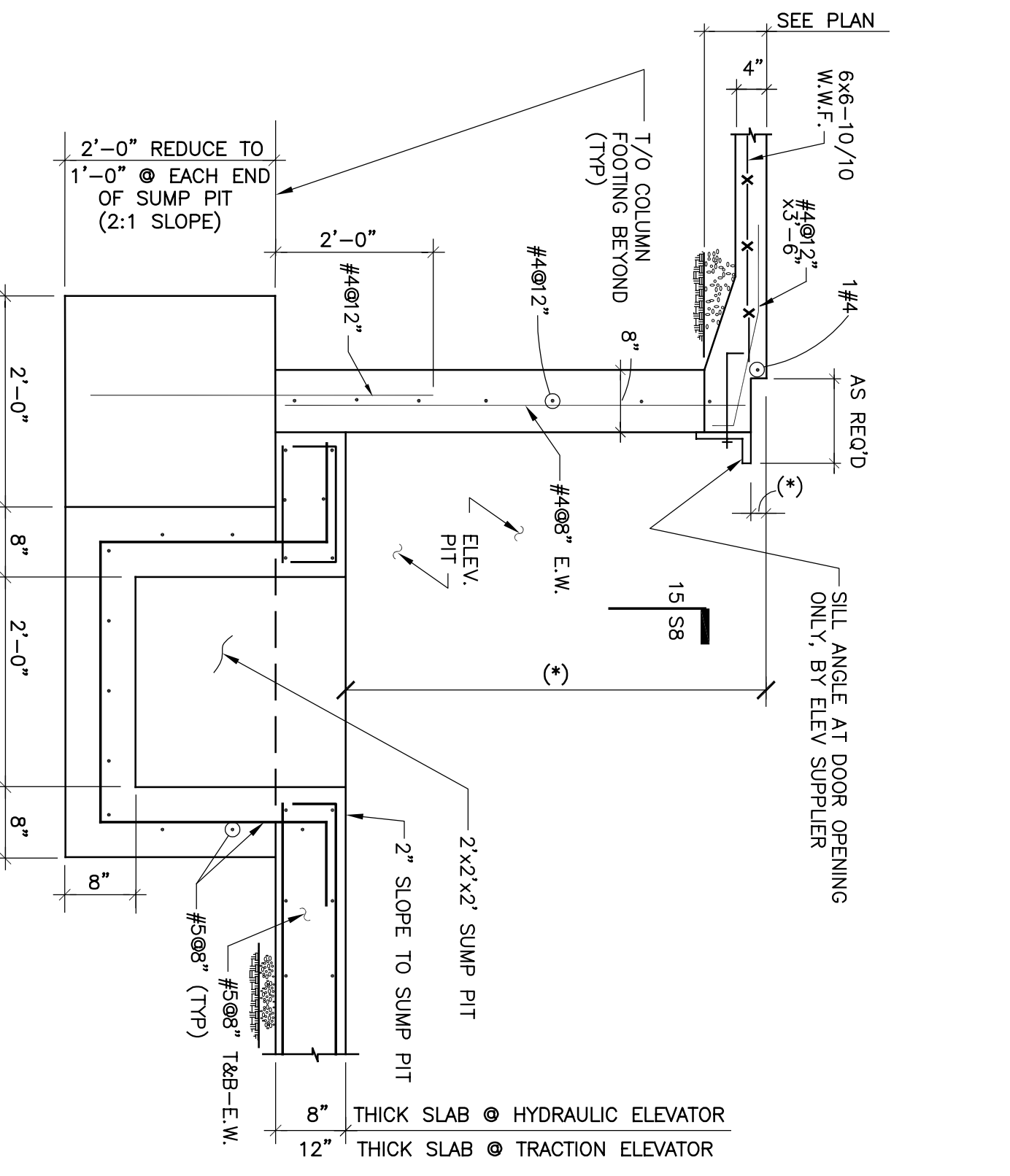
TYP ELEVATOR PIT  
SECTION 13-S8  
1/2"=1'-0"



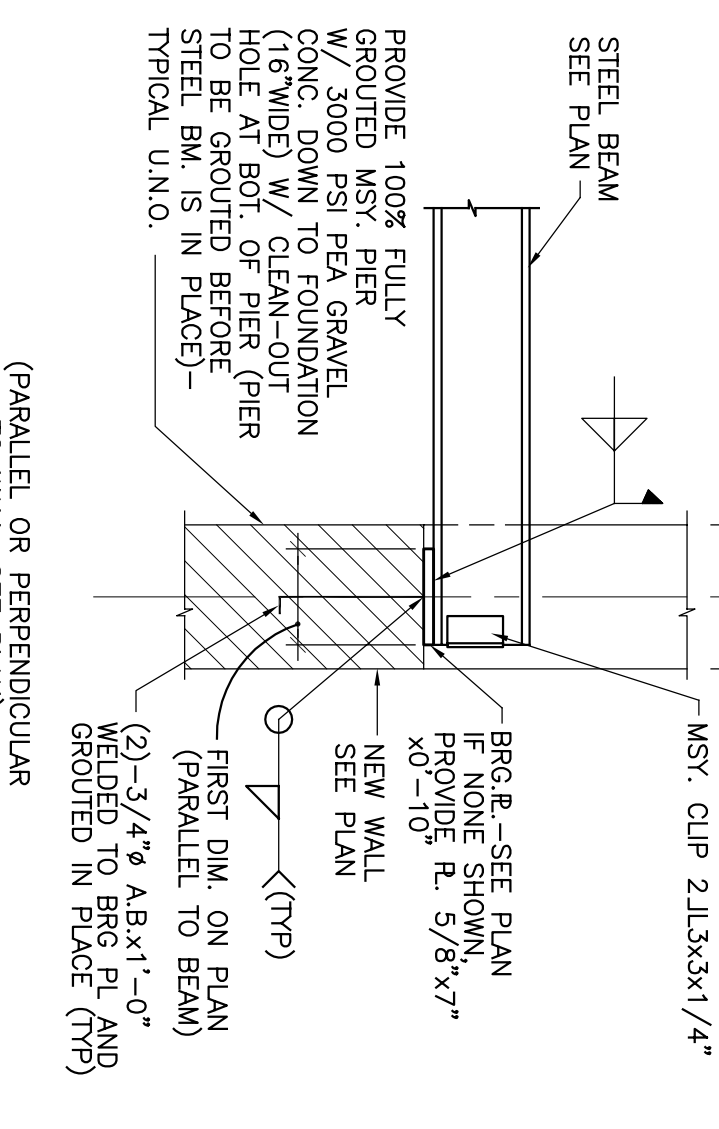
TYPICAL HEADER BEAM  
DETAIL 4-S8  
N.T.S.



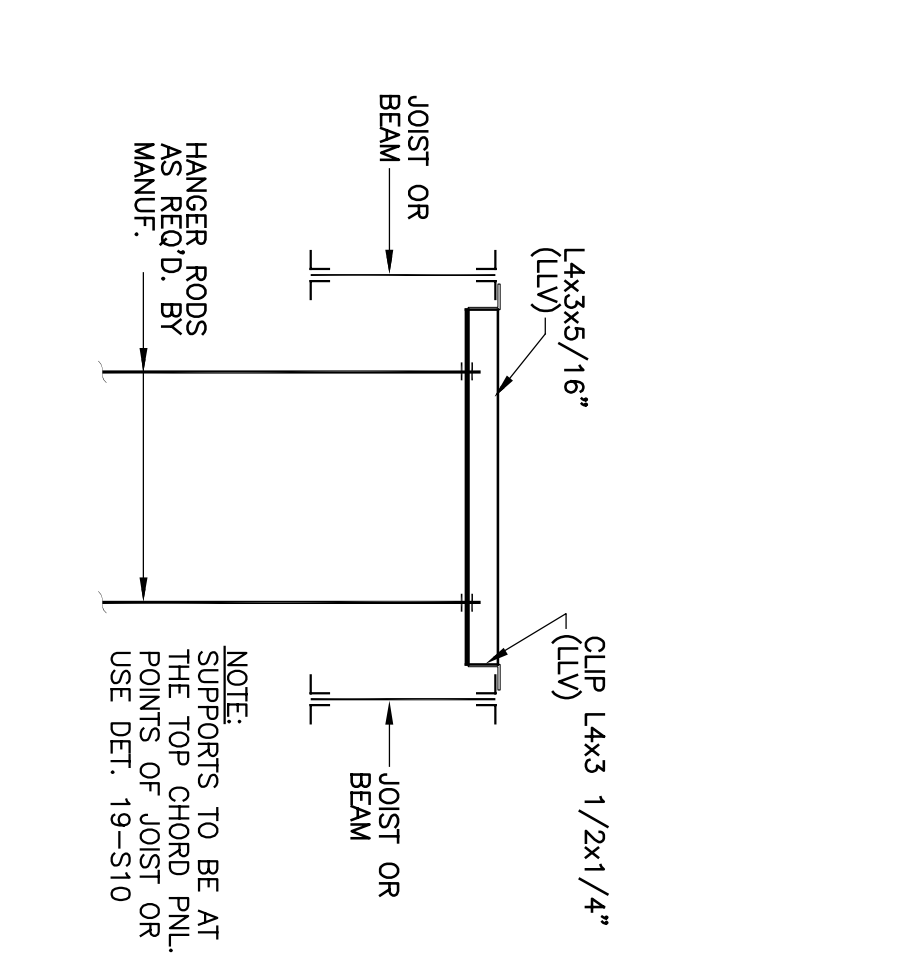
TYPICAL STEEL JOIST  
WEB STIFFENER  
DETAIL 9-S8  
N.T.S.



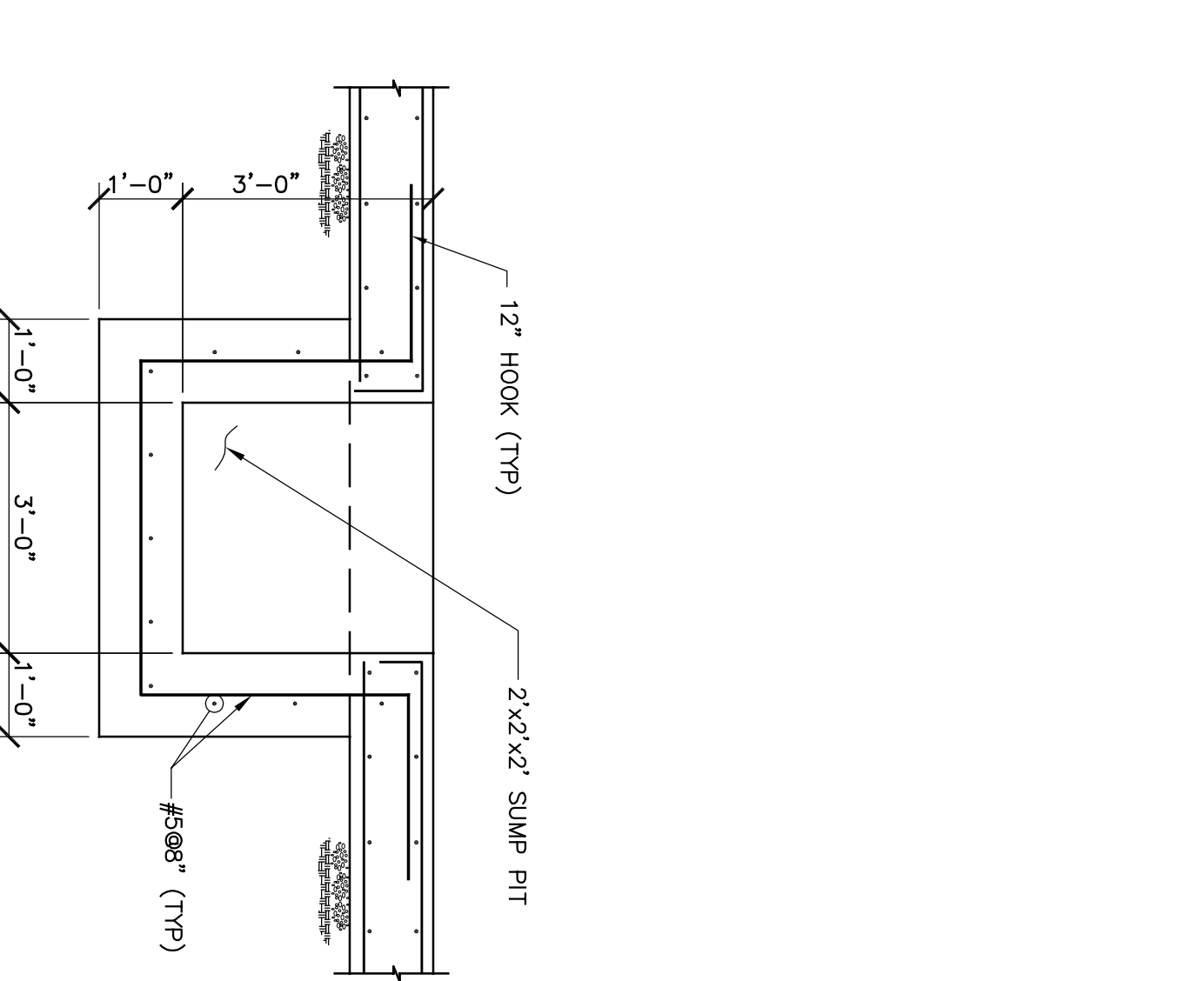
TYP ELEVATOR SUMP PIT  
SECTION 14-S8  
1/2"=1'-0"



TYPICAL STEEL BEAM  
BEARING ON MASONRY  
DETAIL 5-S8  
N.T.S.



TYP SUPPORT OF CEILING  
HUNG MECH. EQUIPMENT  
DETAIL 10-S8  
N.T.S.



TYPICAL ELEVATOR SUMP PIT  
SECTION 15-S8  
1/2"=1'-0"

Date:	
Revisions:	

Consultants:  
**Tadger Cohen Edelson Assoc.**  
CONSULTING STRUCTURAL ENGINEERS

1109 Spring St.  
Suite #510  
Baltimore, MD 21202  
(301) 588-1800  
(301) 588-1966

104043.00

Certification:

Project Title:  
**BETH SHALOM A.M.E. ZION CHURCH**  
2501 RITCHIE ROAD  
DISTRICT HEIGHTS, MARYLAND 20735

TYPICAL DETAILS

Philip Aaron Lacy, Architects  
6188 Oxon Hill Road, Suite 303  
Oxon Hill, Maryland 20745  
Phone: 301-567-8223

Drawing No. **S8**

Date: NOV. 21, 2005  
Scale: AS NOTED  
Drawn:  
Checked:  
File No.