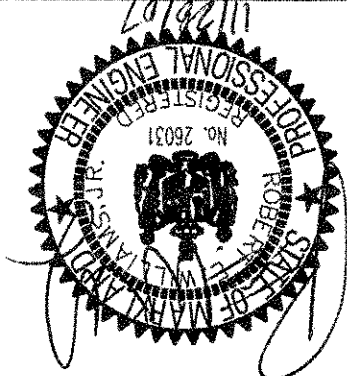


REVISIONS:

WARDER
Your Church Builder
Phone: (301) 868-5900
Toll Free: (800) 732-7266
Fax: (301) 868-5740
www.wardergroup.com

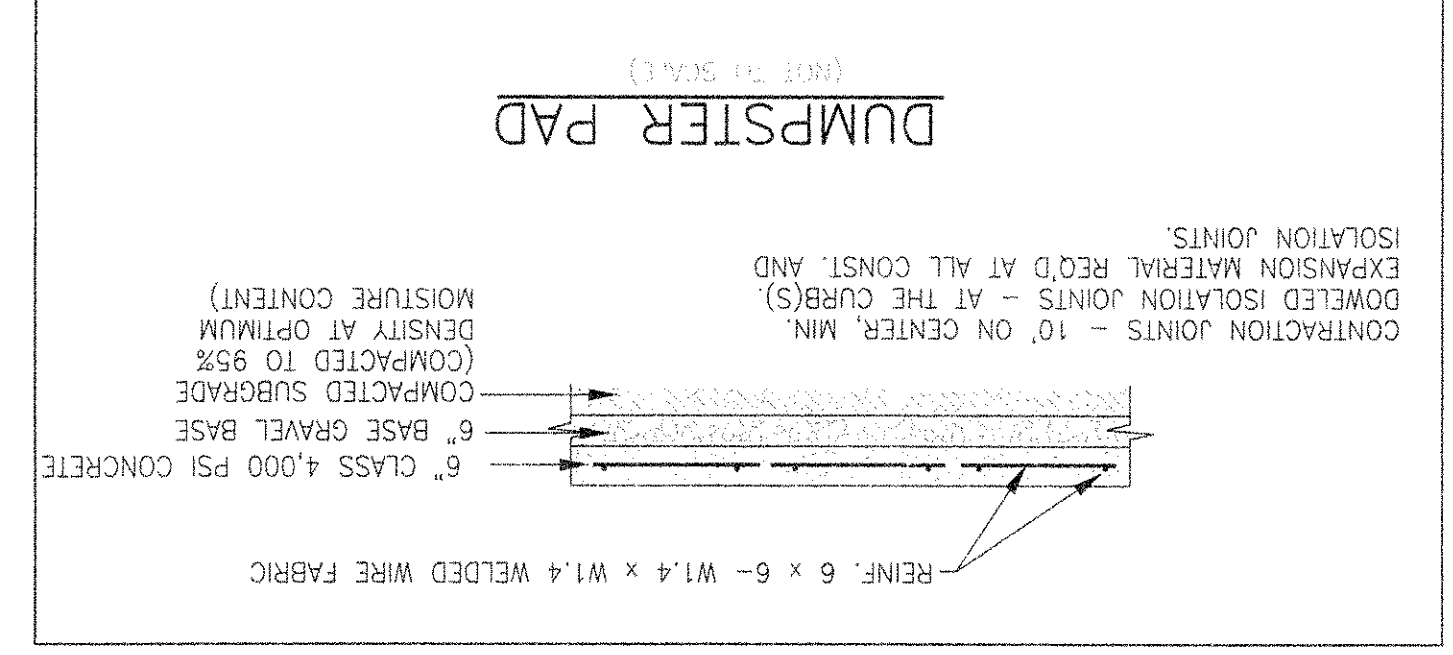
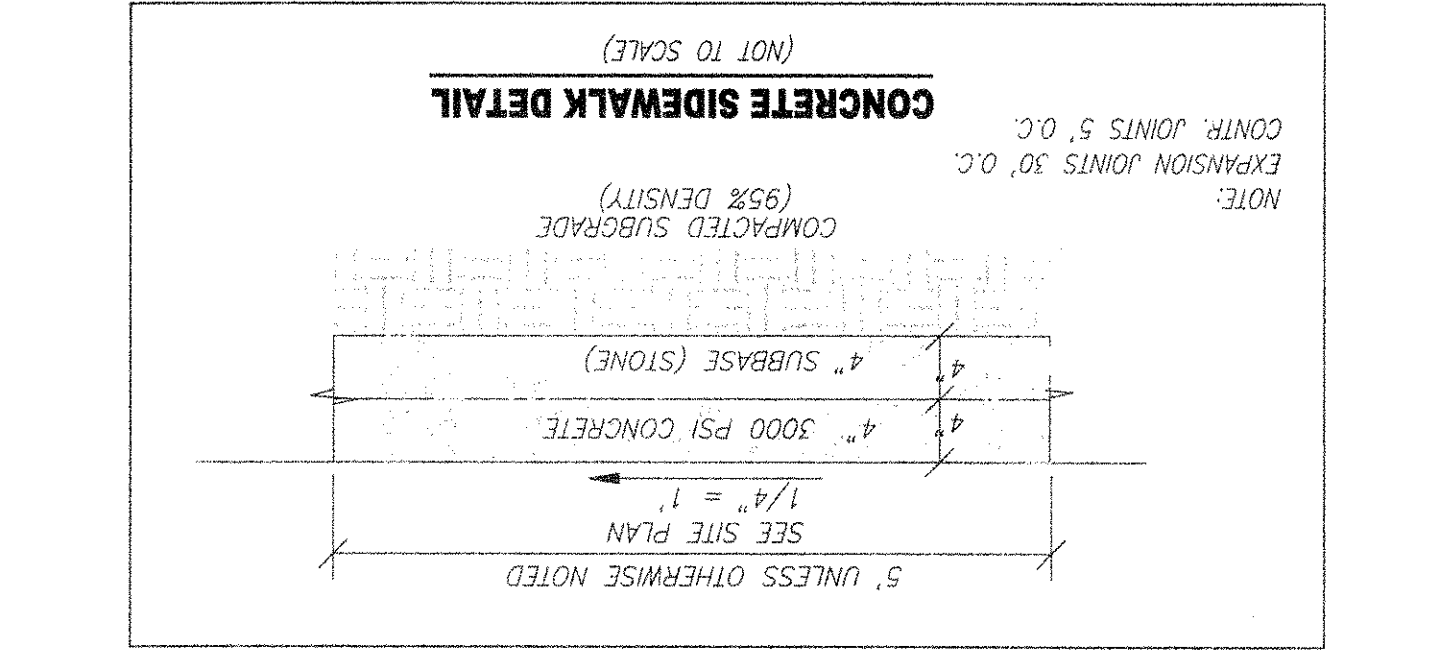
WE Inc.
Williams Enterprises Incorporated
18 Mosby Lane Stafford, Virginia 22556
540-286-3710 and 540-286-0345 Fax
weinco@hughes.net



DATE: AUGUST 2007
SCALE: N/A
DRAWING NAME: DETAILS

SITE DETAILS
PROJECT: **BETH SHALOM AME
ZION CHURCH**
6TH ELECTION DISTRICT
PRINCE GEORGE'S COUNTY, MARYLAND

SHEET 1 OF 1
FILE No. MDPG-19D09-01



CAUTION - NOTICE TO CONTRACTOR
THE CONTRACTOR IS SPECIFICALLY CAUTIONED THAT THE LOCATION AND/OR ELEVATION OF EXISTING UTILITIES AS SHOWN ON THESE PLANS IS BASED ON RECORDS OF THE VARIOUS UTILITY COMPANIES AND, WHERE POSSIBLE, MEASUREMENTS TAKEN IN THE FIELD. THE INFORMATION IS NOT TO BE RELED AS BEING EXACT OR COMPLETE. THE CONTRACTOR MUST CALL THE APPROPRIATE UTILITY COMPANY AT LEAST 48 HOURS BEFORE ANY EXCAVATION TO VERIFY EXACT FIELD LOCATION OF UTILITIES. IT SHALL BE THE RESPONSIBILITY OF THE CONTRACTOR TO RELOCATE ALL EXISTING UTILITIES WHICH CONFLICT WITH THE PROPOSED IMPROVEMENTS SHOWN ON THE PLANS AND TO VERIFY THE EXACT LOCATION OF ALL EXISTING UTILITIES PRIOR TO COMMENCEMENT OF CONSTRUCTION ACTIVITIES.

