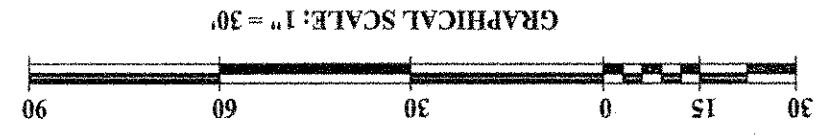


CURVE TABLE	
CURVE BEARING	CHORD RADIUS
C2	118.00
C1	118.00
TOTAL WATTAGE	
PROPOSED	119.96
EXISTING	60.07
TOTAL WATTAGE	
PROPOSED	118.62
EXISTING	235.58
CHORD BEARING	
C2	137.51
C1	137.51
TOTAL WATTAGE	
PROPOSED	119.96
EXISTING	60.07
TOTAL WATTAGE	
PROPOSED	118.62
EXISTING	235.58

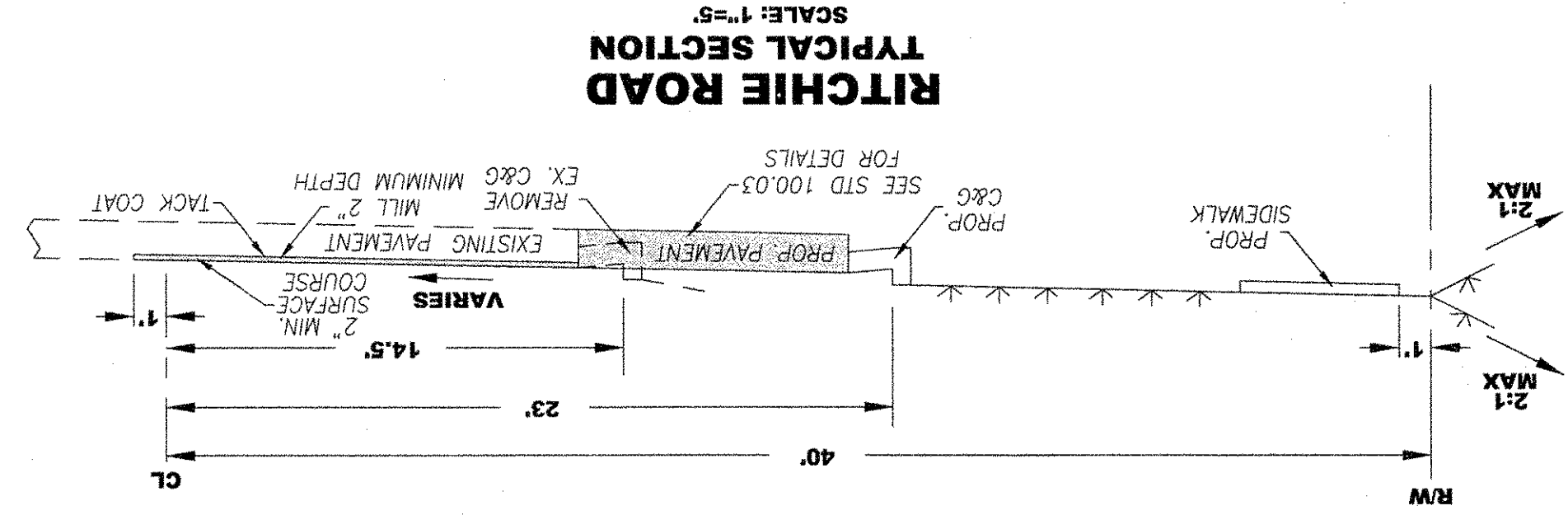
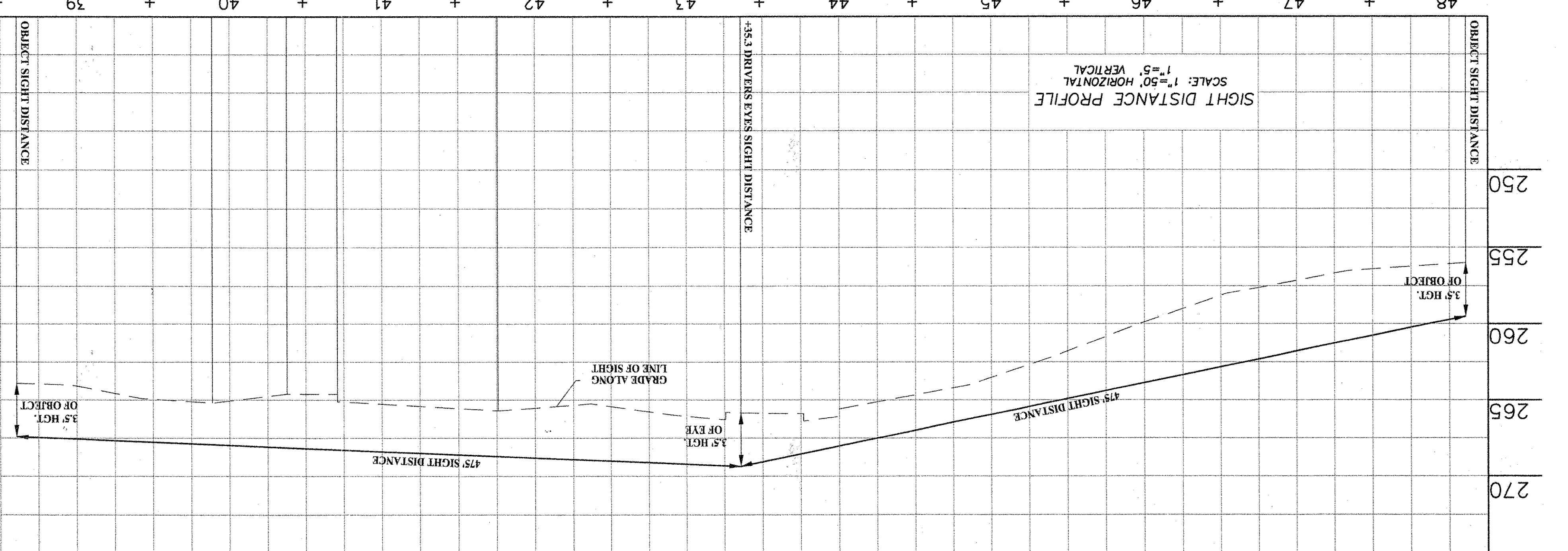
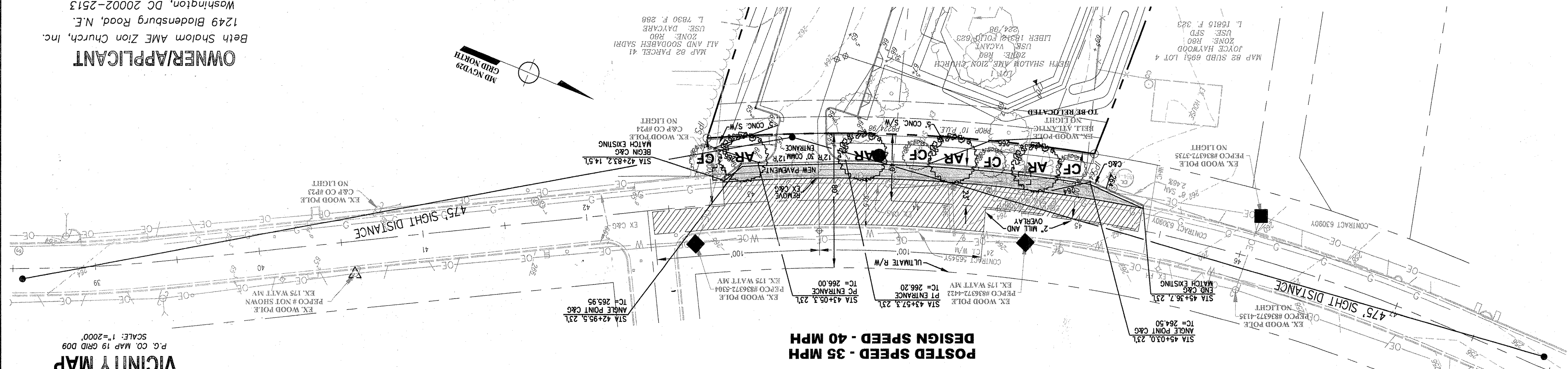
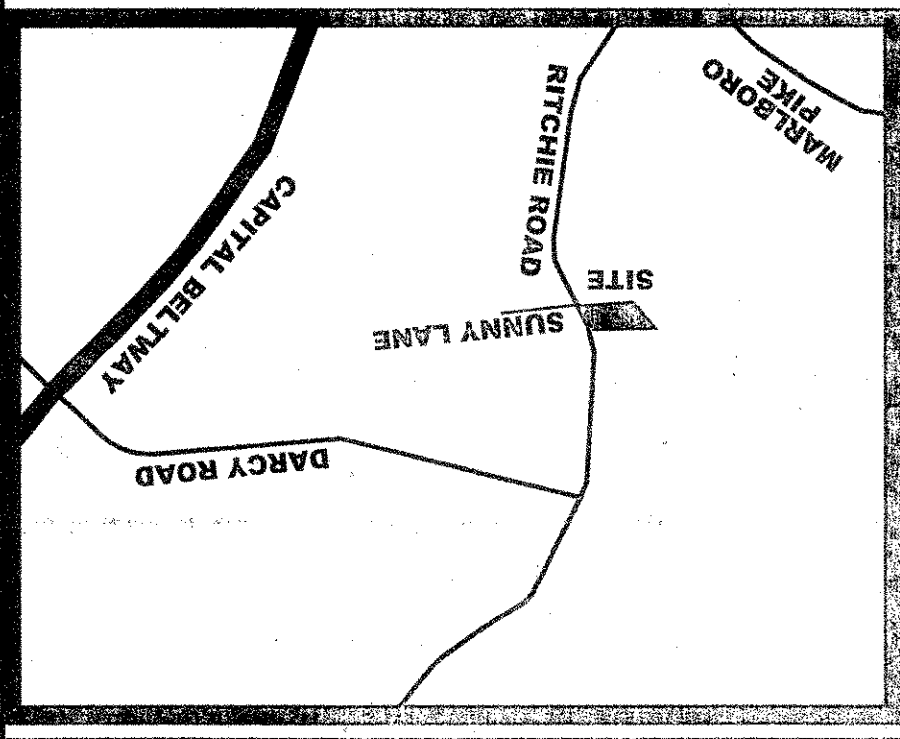


SYMBOLS	DESCRIPTION	PROPOSED WATTAGE	EXISTING WATTAGE	TOTAL WATTAGE
●	PROPOSED ALUM. PENDANT ARM	1	-	150 HP/VA
◆	UPGRADE LAMP	2	175 W	150 HP/VA
▽	EXISTING WOOD POLE	1	175 W	150 HP/VA
■	EXISTING WOOD POLE	-	1	150 HP/VA

- ALL COBRA HEAD LIGHTS ARE TO USE FULL CUT OFF OPTICS
 - UTILITY COMPANY TO DETERMINE BRACKET LENGTH
 - UTILITY COMPANY = PEPCO

RITCHIE ROAD
 VARIABLE WIDTH R/W
 POSTED SPEED - 35 MPH
 DESIGN SPEED - 40 MPH

LANDSCAPE SCHEDULE					
SYMBOL	BOTANICAL / COMMON NAME	QUANT.	SIZE	ROOT	REMARKS
CF	CORNUS FLORIDA	4	11/16"	B&B	
AR	ACER RUBRUM / RED SUNSET MAPLE	4	2-1/2"	B&B	



UTILITY CERTIFICATION
 I HEREBY CERTIFY THAT THE EXISTING AND/OR PROPOSED UNDERGROUND UTILITY INFORMATION SHOWN HEREON HAS BEEN CORRECTLY DEDUCTED FROM UTILITY COMPANY RECORDS. FURTHER THAT THIS PROJECT HAS BEEN COMPLETED WITH EACH UTILITY COMPANY AND ALL NECESSARY UNDERGROUND UTILITY INFORMATION RELATIVE TO THE PLACE HAS BEEN SOLICITED FROM THEM.
 ROBERT E. WILLIAMS, JR.
 REGISTERED PROFESSIONAL ENGINEER
 MD #26031
 DATE: 11/19/08

CAUTION - NOTICE TO CONTRACTOR
 THE CONTRACTOR IS SPECIFICALLY CAUTIONED THAT THE LOCATION AND/OR ELEVATION OF EXISTING UTILITIES AS SHOWN ON THESE PLANS IS BASED ON RECORDS OF THE VARIOUS UTILITY COMPANIES AND, WHERE POSSIBLE, MEASUREMENTS TAKEN IN THE FIELD. THE INFORMATION IS NOT TO BE RELIED ON AS BEING EXACT OR COMPLETE. THE CONTRACTOR MUST CALL THE APPROPRIATE UTILITY COMPANY AT LEAST 48 HOURS BEFORE ANY EXCAVATION TO REQUEST EXACT FIELD LOCATION OF UTILITIES. IT SHALL BE THE RESPONSIBILITY OF THE CONTRACTOR TO RELOCATE ALL EXISTING UTILITIES WHICH CONFLICT WITH THE PROPOSED IMPROVEMENTS SHOWN ON THE PLANS AND TO VERIFY THE EXACT LOCATION OF ALL EXISTING UTILITIES PRIOR TO COMMENCEMENT OF CONSTRUCTION ACTIVITIES.

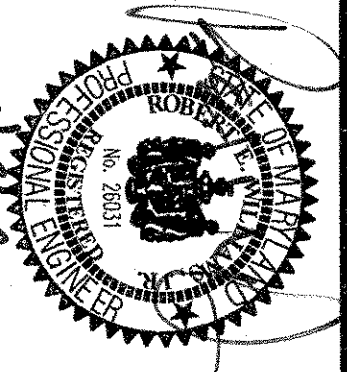
TRAFFIC DIVISION	STREET TREE PLAN	STREET LIGHT PLAN
Permit No. 19846-2008 PRINCE GEORGE'S COUNTY, MD OFFICE OF ENGINEERING AND TRANSPORTATION APPROVED DATE: _____ BY: _____	Permit No. 19846-2008 PRINCE GEORGE'S COUNTY, MD OFFICE OF ENGINEERING AND TRANSPORTATION APPROVED DATE: _____ BY: _____	Permit No. 19846-2008 PRINCE GEORGE'S COUNTY, MD OFFICE OF ENGINEERING AND TRANSPORTATION APPROVED DATE: _____ BY: _____

PROFESSIONAL CERTIFICATION
 I HEREBY CERTIFY THAT THESE DOCUMENTS WERE PREPARED OR APPROVED BY ME, AND THAT I AM A DULY LICENSED PROFESSIONAL ENGINEER UNDER THE LAWS OF THE STATE OF MARYLAND, LICENSE NO. 26031, EXPIRATION DATE MARCH 23, 2009.
 ROBERT E. WILLIAMS, JR.
 MD, REG. 26031
 DATE: 11/19/08

OWNER/APPLICANT
 Beth Shalom AME Zion Church, Inc.
 1249 Bladensburg Road, N.E.
 Washington, DC 20002-2513
 (202) 399-4357

STREET LIGHT/STREET TREE AND PAVING PLAN
 PROJECT: BETH SHALOM AME ZION CHURCH
 6TH ELECTION DISTRICT
 PRINCE GEORGE'S COUNTY, MARYLAND

DATE: NOV 2008
 SCALE: 1"=30'
 DRAWING NAME: 19D09-SDPP-REV2



WE Inc.
 Williams Enterprises Incorporated
 18 Mosby Lane Stafford, Virginia 22556
 540-286-3710 and 540-286-0345 Fax

WARDER
 Your Church Builder
 Phone: (301) 868-5990
 Toll Free: (800) 732-7266
 Fax: (301) 868-8740
 www.wardergroup.com

REVISIONS:

FILE NO. MDPG-19D09-01

DPW&T STREET CONSTRUCTION PERMIT NO. 19846-2008

DEPARTMENT OF PUBLIC WORKS AND TRANSPORTATION
 (DPW&T)
 ENGINEERING AND INSPECTION SERVICES DIVISION
 PRINCE GEORGE'S COUNTY, MARYLAND
 APPROVAL DATE: _____
 BY: NAWAF ESSAYED, ENG III
 PAVING DRAINAGE
 PERMIT NUMBER: 19846-2008
 LOTS/BLOCKS: LOT 1