

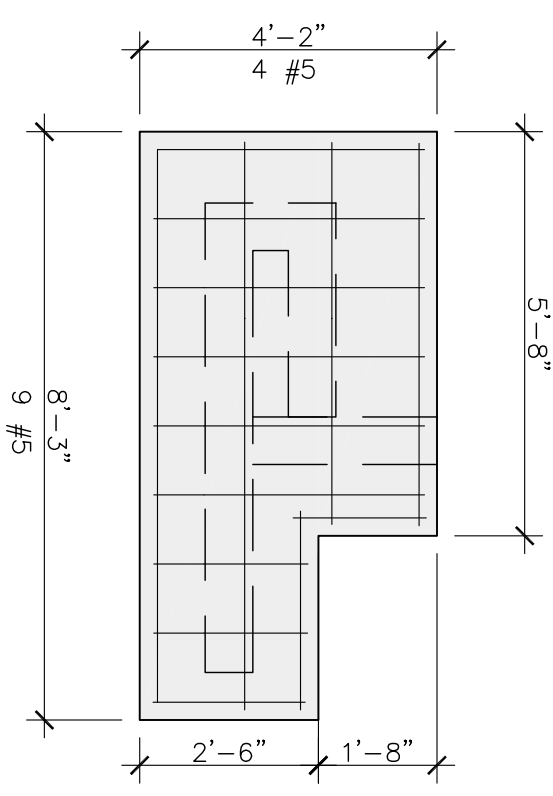
- NOTES:**
- FOR GENERAL NOTES, REFER TO SHEET S-1.
 - TOP OF CONCRETE SLAB SHOWN AS THIS E.L. SLAB AS THUS $-1'-4"$ UNLESS OTHERWISE SHOWN ON PLAN
 - SLAB NOTES:
 - GROUND FLOOR SLAB CONSISTS OF A 6" CONCRETE SLAB ON VAPOR BARRIER OVER WELL COMPACTED FILL REINFORCED WITH 6#-W2.1#W2.1 WELDED WIRE FABRIC PLACED 1" FROM THE TOP. SEE DETAIL 7/S-# FOR TYPICAL CONTROL JOINT AT GROUND FLOOR SLABS.
 - GROUND FLOOR SLAB CONSISTS OF A 4" CONCRETE SLAB ON VAPOR BARRIER OVER WELL COMPACTED FILL REINFORCED WITH 6#-W2.1 WELDED WIRE FABRIC PLACED 1" FROM THE TOP. SEE DETAIL 7/S-# FOR TYPICAL CONTROL JOINT AT GROUND FLOOR SLABS.
 - FOR COLUMN SCHEDULE AND COLUMN BAR ARRANGEMENT, REFER TO SHEET S-1.
 - FOR FOOTING SCHEDULE, SEE SHEET S-1.
 - 8" REINFORCED MASONRY BEARING WALLS SHALL BE CONSTRUCTED ACCORDING TO THE WALL SCHEDULE ON S-1. NOTED THIS BW-1, SEE BLOCK WALL SCHEDULE ON S-1.
 - W-1, DENOTES 8" W/ #4@2' O.C. HORIZONTAL REINF. AND #6@2' VERTICAL REINF.
 - FOR TYPICAL DETAILS, REFER TO SHEETS S-2 TO S-7.
 - C.I. DENOTES CONTROL JOINTS. SEE DETAIL D&F ON SHEET S-7.
 - CENTRELINE OF COLUMNS AND/OR WALL SHALL COINCIDE WITH THE CENTRELINE OF BEAMS AND/OR FOUNDATIONS BELOW, UNLESS ARCHITECTURAL AND MECHANICAL DRAWINGS.
 - COORDINATE ALL SLAB DEPRESSIONS, SLOPES AND OPENINGS WITH ARCHITECTURAL AND MECHANICAL DRAWINGS.
 - T.E. DENOTES 8"X12" THICKENED CONCRETE SLAB EDGE REINFORCED WITH 2#5 BOTTOM, CONTINUOUS TYPICAL AT ALL DISCONTINUOUS SLAB EDGES.
 - ON EXISTING WALLS SHALL BE CONTINUOUS FROM TOP OF EXISTING FOOTING TO BOTTOM OF EXISTING TIE-BEAM/BEAM DRILL AND EPOXY SPECHED REBARS INTO EXISTING CONCRETE A MINIMUM OF 6" (TYP)
- GENERAL CONTRACTOR SHALL COORDINATE ALL EXISTING CONDITIONS AND THESE DRAWINGS. WORK SHALL BE DONE IN ACCORDANCE WITH THE MANDATES OF ANY ORDINANCES BETWEEN EXISTING CONDITIONS AND THESE DRAWINGS.
- | SUPERIMPOSED LOADS | |
|--------------------|--------------|
| STAIRS | DEAD 30 PSF |
| | LIVE 100 PSF |
| BAPTISMAL POOL | DEAD 250 PSF |
| | LIVE 100 PSF |

FOUNDATION PLAN

SCALE: 1/8" = 1'-0"

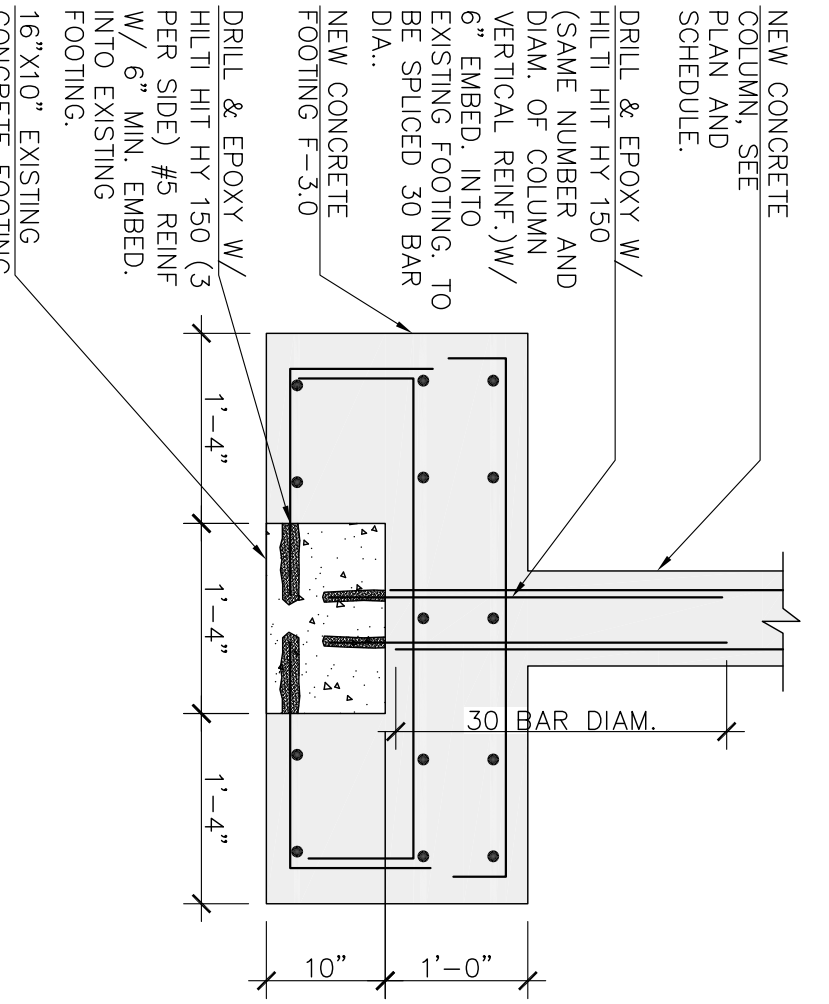
A FOOTING 45

SCALE: 3/8" = 1'-0"



C AT EXISTING

SCALE: 3/4" = 1'-0"



B DETAIL

SCALE: 1/4" = 1'-0"

