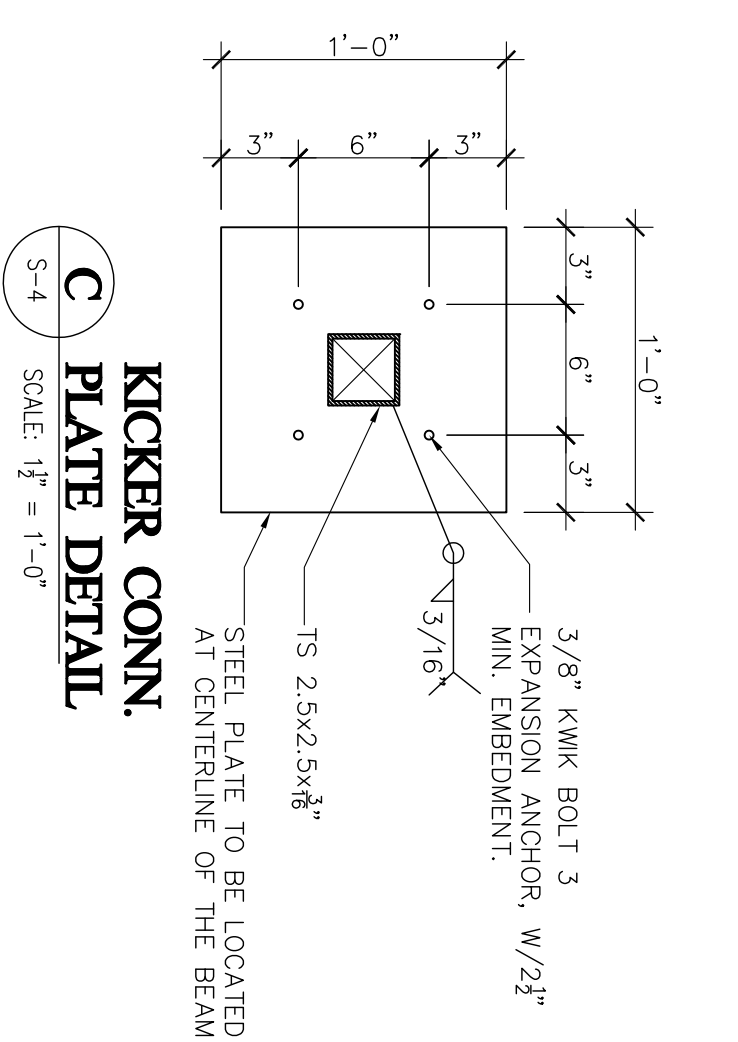
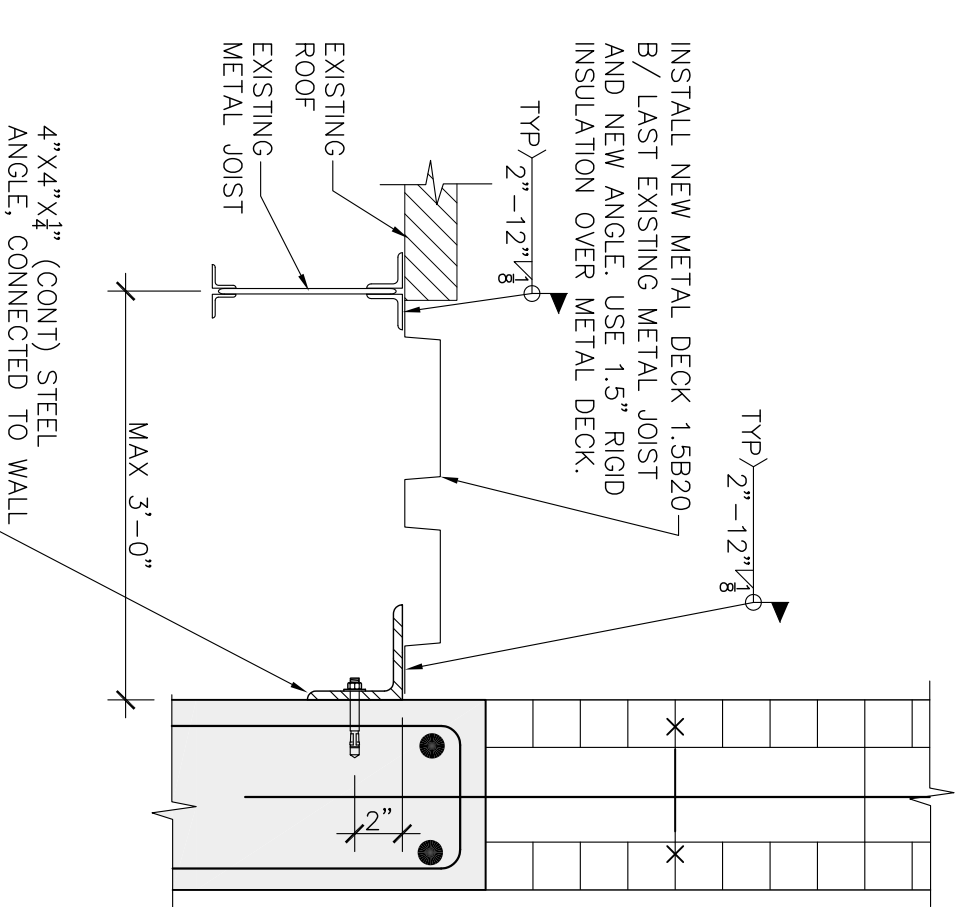


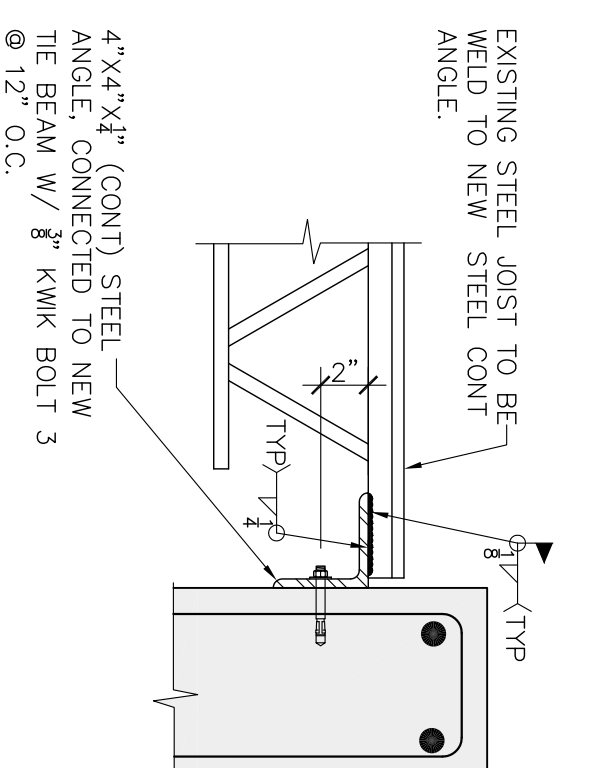
D CORNER WALL DETAIL
SCALE: 1/2" = 1'-0"



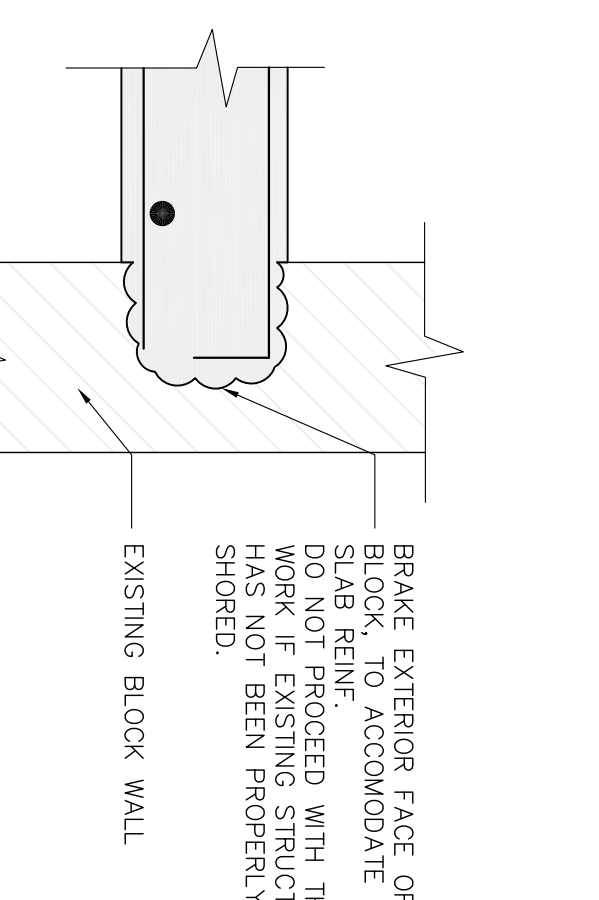
C KICKER CONN. PLATE DETAIL
SCALE: 1/2" = 1'-0"



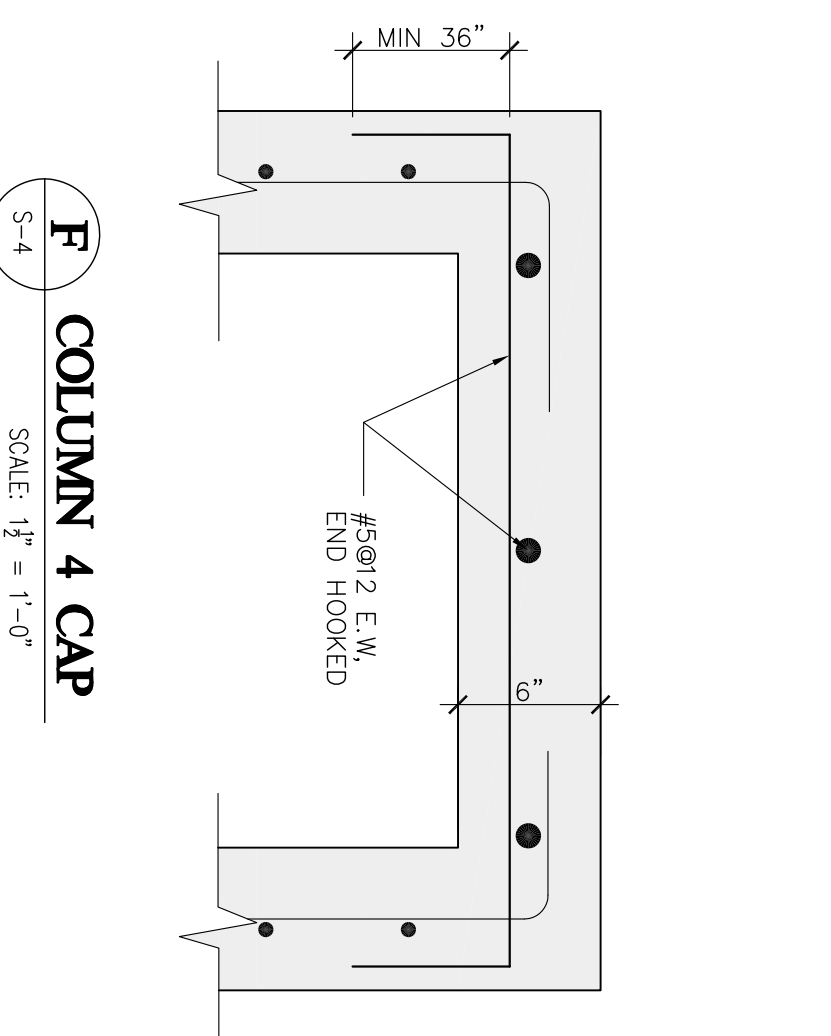
B EXISTING ROOF TO NEW TIE BEAM DETAIL
SCALE: 1/2" = 1'-0"



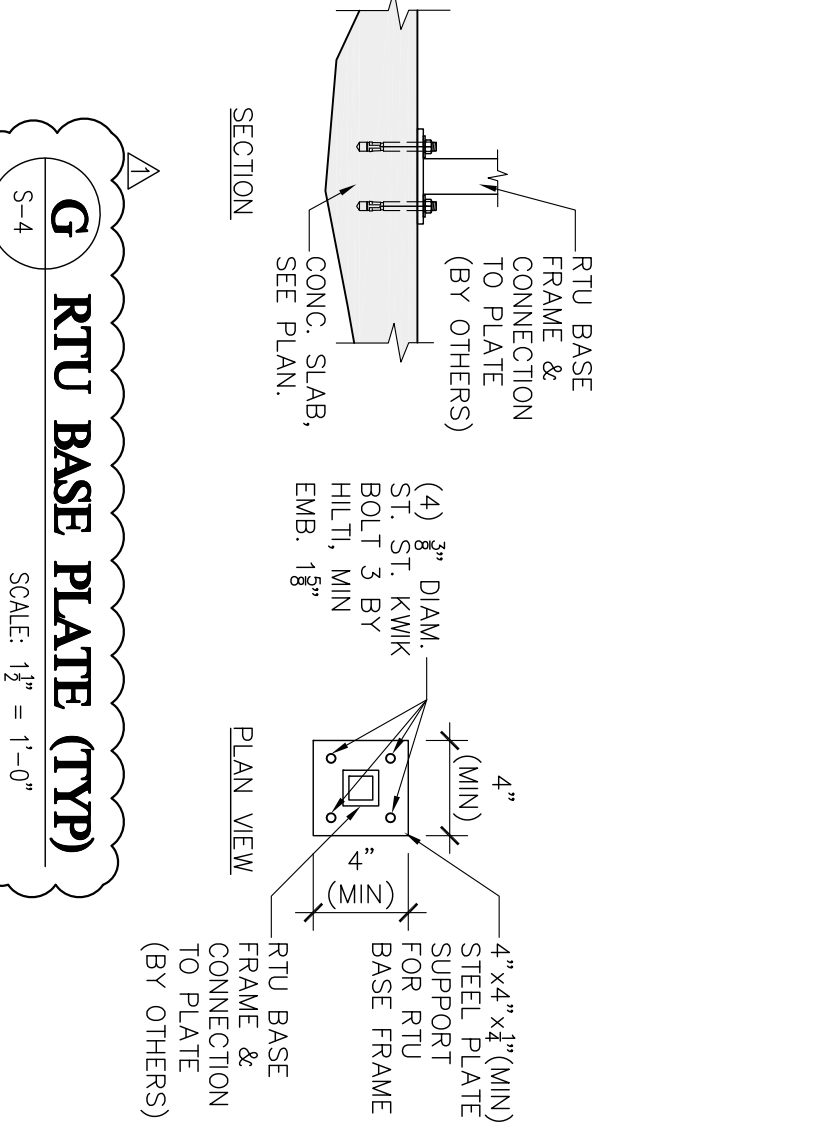
A EXISTING ROOF TO NEW TIE BEAM DETAIL
SCALE: 1/2" = 1'-0"



B SLAB CONN. DETAIL
SCALE: 1/2" = 1'-0"



F COLUMN 4 CAP DETAIL
SCALE: 1/2" = 1'-0"



G RTU BASE PLATE (TYP)
SCALE: 1/2" = 1'-0"

NOTES:
1- RTU BASE FRAME TO BE SUBMITTED AS SHOP DRAWING FOR E.O.R. APPROVAL.
2- EQUIPMENT TO BE CONNECTED TO BASE WITH 1/2\"/>